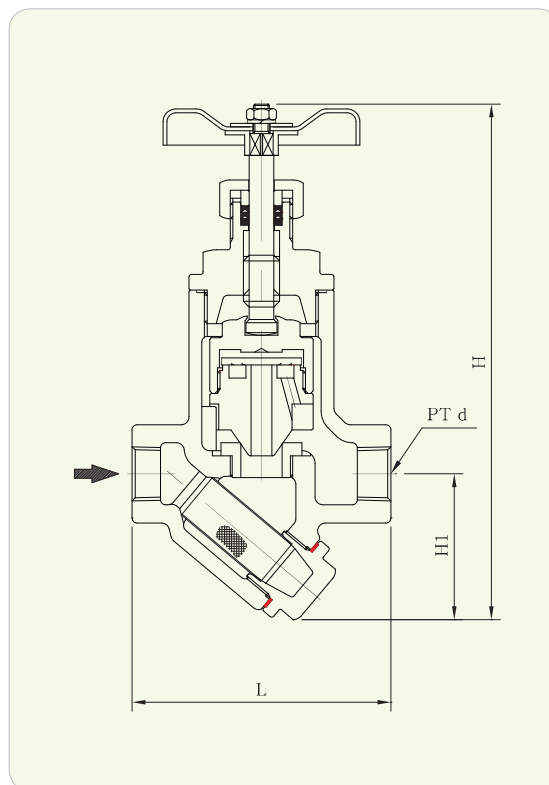


BST-1S | By Pass Type Steam Trap

- A built-in-pass valve allows to easily blow-off larger flow at initial operating and/or admissible flow into trap while opening the valve by handle.
- This type is useful to steam mains, especially suitable for laundry machines, and dyeing machines.



► Specifications

Working Pressure (kgf/cm ²)	Max. 16
	Min. 0,35
Working Temperature (°C)	220
Connection	PT Screwed
Materials	Body : Ductile Iron
	Trim : Stainless Steel

► Dimensions

Size	d	L	H1	H	Connection
15A	PT 1/2"	100	58	203	PT Screwed
20A	PT 3/4"	100	58	203	
25A	PT 1"	110	62	207	

