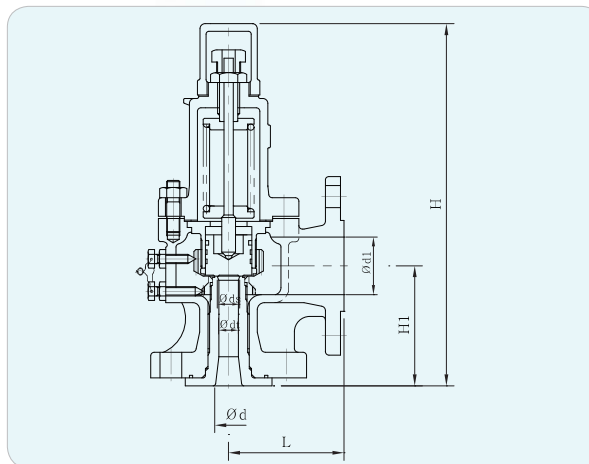


GSV-2F/3F | Full Bore Type Safety Relief Valve



► Specifications

Type	Working Fluid	Setting Pressure (MPa)	Working Temperature (°C)	Materials		Connection
				Body	Trim	
GSV-2F	Gas	0,05~2,2	-196~250	Cast Steel Stainless Steel	Stainless Steel	JIS Flanged ANSI Flanged
GSV-3F		2,2~5,0				

► Dimensions

Model	Size	d	dt	ds	L	H1	H	Lift	Inlet	Outlet
GSV-2F	15A × 25A	15	11,5	14,5	95	85	282	3,0	JIS 10K, 20K RF Flanged	JIS 10K FF Flanged
	20A × 25A	20	15	17,5	95	85	282	3,8		
	25A × 40A	25	19	22	100	104	320	4,8		
	32A × 65A	32	30	35	115	123	386	7,5		
	40A × 65A	40	30	35	115	123	386	7,5		
	50A × 80A	50	38	44	128	130	476	9,5		
	65A × 100A	65	49	57	145	150	547	12,3		
	80A × 125A	80	61	71	162	168	598	15,2		
	100A × 150A	100	76	88	190	197	725	19,0		
	125A × 200A	125	95	114	220	222	895	24,0		
	150A × 200A	150	115	133	225	230	953	28,7		
	200A × 250A	200	150	175	270	255	1121	37,5		
250A × 300A	250	200	230	410	350	1720	50,0			
GSV-3F	15A × 25A	15	11,5	14,5	95	85	282	3,0	JIS 30K RF Flanged	JIS 10K FF Flanged
	20A × 25A	20	15	18	95	85	280	3,8		
	25A × 40A	25	19	22	100	104	320	4,8		
	40A × 65A	40	30	35	115	123	386	7,5		
	50A × 80A	50	38	44	128	130	476	9,5		
	65A × 100A	65	49	57	145	150	547	12,3		
	80A × 125A	80	61	71	162	168	598	15,2		
	100A × 150A	100	76	88	190	197	725	19,0		

※ Applied pressure 33kgf/cm²[3,3Mpa] is available upon request

※ KS B6216, ANSI and DIN Flange are available upon request (more than 400°C is also available to manufacture)