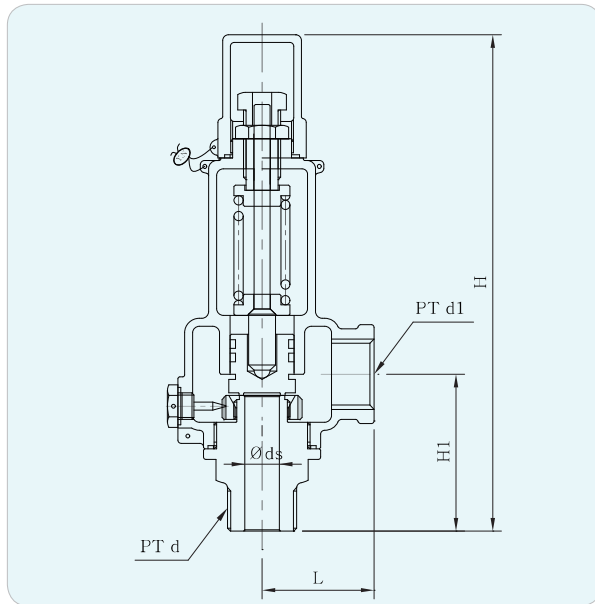


GSV-3S/4S | High Lift Type Safety Relief Valve



► Specifications

Type	Working Fluid	Setting Pressure (MPa)	Working Temperature (°C)	Materials			Connection
				Body	Bonnet	Trim	
GSV-3S	Gas	0,05~3,3	-196~220	Stainless Steel	Cast Bronze	Stainless Steel	PT Screwed
GSV-4S		0,05~8,0		Stainless Steel	Stainless Steel	Stainless Steel	

► Dimensions

Size	Part	d	ds	L	H1	H	Lift	Inlet	Outlet
15A × 20A		15	14	42	60	184	1,5	PT Screwed	PT Screwed
20A × 20A		20	14	42	63	187	1,5		
25A × 25A		25	19	44	69	204	2,0		
32A × 32A		32	24	45	71	192	3,0		
40A × 40A		40	27	50	79	213	3,0		
50A × 50A		50	33	62	93	236	4,7		