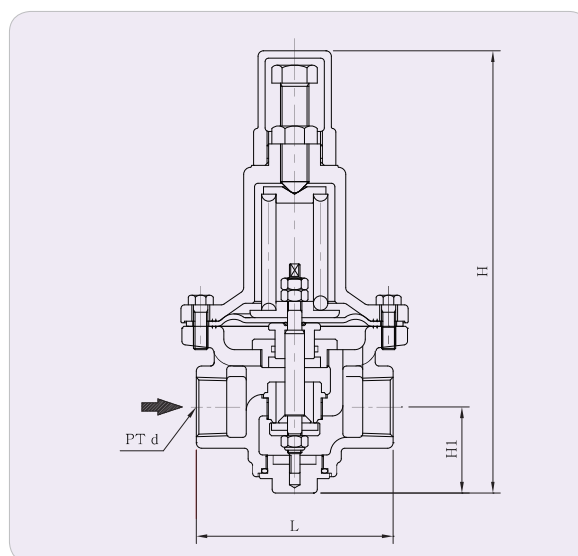


Pressure Reducing Valve

DRE-1S | Pressure Reducing Valve—Direct Acting Type



► Specifications

Inlet Pressure (kgf/cm ²)	Outlet Pressure (kgf/cm ²)	Max Reducing Ratio	Working Temperature (°C)	Working Fluid	Connection	Materials
10	0.5~5	10 : 1	80	Air(Gas) Water(Liquid)	PT Screwed	Body : Ductile Iron Trim : Stainless Steel, Synthetic Rubber

► Dimensions

Size	Part	d	L	H1	H
15A		PT 1/2"	100	47	222
20A		PT 3/4"	100	47	222
25A		PT 1"	110	51	231
32A		PT 1 1/4"	150	70	290
40A		PT 1 1/2"	160	70	290