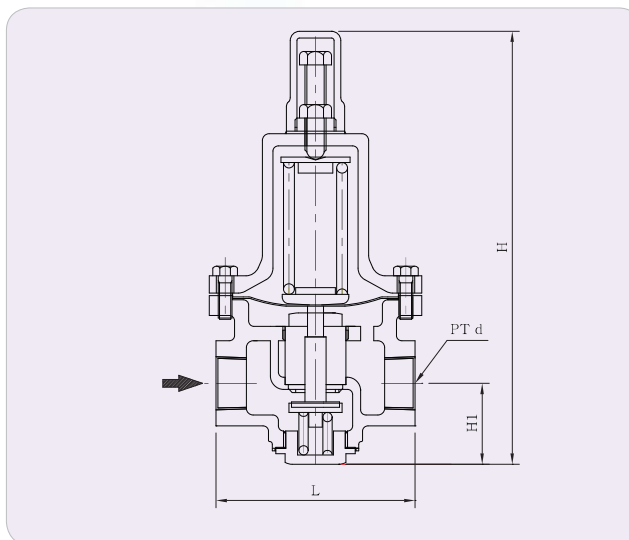


PIR-1S | Pressure Reducing Valve For Steam—Direct Acting Type



► Specifications

Inlet Pressure (kgf/cm ² g)	10
Outlet Pressure (kgf/cm ² g)	0.5~5
Max Reducing Ratio	10 : 1
Working Temperature (°C)	220
Working Fluid	Steam
Connection	PT Screwed
Materials	Body : Ductile Iron
	Trim : Stainless Steel

► Dimensions

Size	Part	d	L	H1	H
15A		PT 1/2"	120	55	260
20A		PT 3/4"	120	55	260
25A		PT 1"	120	55	260
32A		PT 1 1/4"	150	62	318
40A		PT 1 1/2"	150	62	318

► CV

Model	Size	15A	20A	25A	32A	40A	50A	65A	80A	100A	125A	150A
DRE-1F		1	2	3.5	5.5	8	14	22	32	48	75	108
DRE-1S		0.8	0.8	1								
PIR-1F		1	2.5	4	6.5	9	16	25	36	64	100	144
DRE-3F		1	2.5	4	6.3	8						