

# HIGH PERFORMANCE BUTTERFLY VALVES

## Class 150, 300 & 600 - Soft or Metal Seated



**LINVO VALVE**



## LINUO BUTTERFLY VALVES

The *Linuo* high performance (HP) butterfly valves offer a wide variety options to suit even your most challenging applications.

Top Quality valves are suitable for either on/off or throttling service.

**METAL SEATED or SOFT** - Depending on your process requirements.

**HIGH PERFORMANCE** – For sealing advantages over std butterfly valves.

**MATERIAL OPTIONS** – Stainless Steel or Carbon Steel.

**AUTOMATION** – Our HP Butterfly Valves are DIRECT MOUNT. No need for a bracket and coupler so they're easy to automate, while still allowing for adjustment to the packing gland.

### LBH – High Performance (Double Offset) Valves

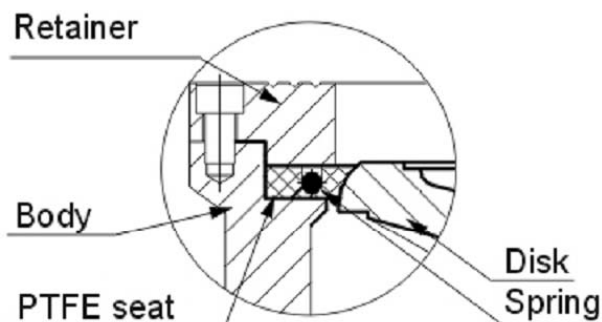
High Performance valves offer rugged construction and tight shutoff for applications where a standard butterfly isn't sufficient.

The double offset design provides reliable operation through a wider temperature range, higher flow rates, and increased solids content, than a standard butterfly could withstand.

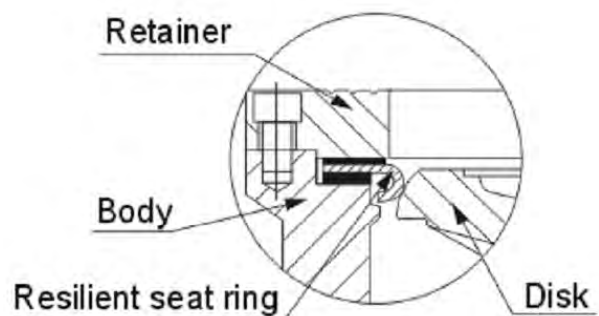
#### FEATURES:

- **SIZES 3" through 48"**
- **Wafer or Lug Style**
- **CS or SS Bodies**
- **Metal Seated**
- **Soft Seated**
- **Class 150, 300, 600**
- **ISO 5211 Mounting Pad**
- **Internal Travel Stop**
- **Bare Stem or Automated**

#### PTFE Soft Seat Design:

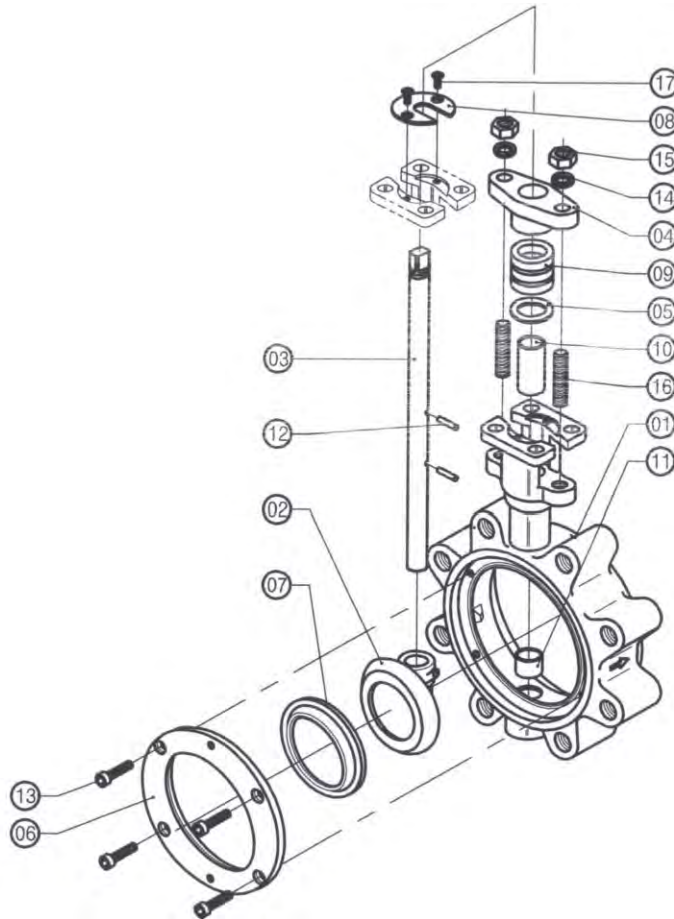


#### Resilient Metal Seat Design:





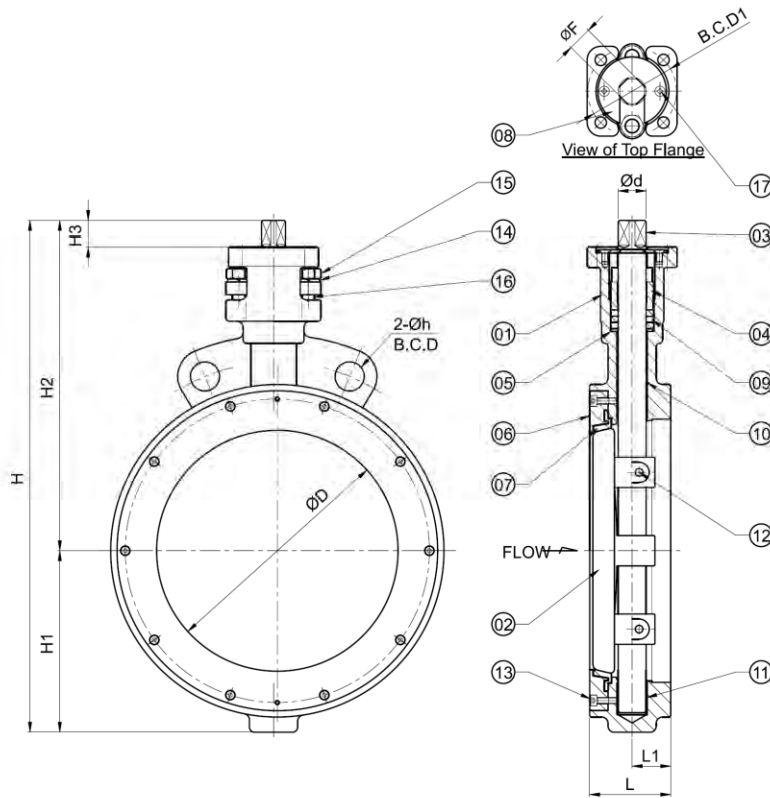
- ◆ Heavy Duty 10 Position Handle
- ◆ ISO 5211 Top Mounting Flange
- ◆ Soft and Metal Seats are Interchangeable
- ◆ Tight Shutoff with Soft or Metal Seat
- ◆ Special Gland Flange for Even Force Against Packing
- ◆ One-piece Body Design of Cast Steel or Stainless Steel
- ◆ High Strength One-Piece Stem
- ◆ Basic Design:  
API 609, MSS-SP68, BS 5155,  
ISO 5752
- ◆ Shell/Seat Test: API 598, MSS-SP61
- ◆ Retainer Ring Surface Compatible with Standard Gasket or Spiral Wound Gasket



**HIGH PERFORMANCE (Double Offset) BUTTERFLY VALVE**

**MATERIALS OF CONSTRUCTION**

Item No.	Description	Carbon Steel		Stainless Steel		Qty
		Soft Seat	Metal Seat	Soft Seat	Metal Seat	
1	Body	A216WCB	A216WCB	A351 CF8M	A351 CF8M	1
2	Disc	A351 CF8M	A351 CF8M	A351 CF8M	A351 CF8M	1
3	Stem	A564 Gr 630	A564 Gr 630	A564 Gr 630	A564 Gr 630	1
4	Gland Flange	A216WCB	A216WCB	A351 CF8M	A351 CF8M	1
5	Packing Retainer	A276 Tp 316	A276 Tp 316	A276 Tp 316	A276 Tp 316	1
6	Retainer Ring	A351 CF8M	A351 CF8M	A351 CF8M	A351 CF8M	1
7	Seat	PTFE / RTFE	A240 Tp 316 / 304	PTFE / RTFE	A240 Tp 316 / 304	1
8	Top Retainer	A283D-A36	A283D-A36	A276 Tp 316	A276 Tp 316	1
9	Gland Packing	Graphite	Graphite	Graphite	Graphite	3
10	Upper Bearing	RTFE+316SS	Graphite+316SS	RTFE+316SS	Graphite+316SS	1
11	Lower Bearing	RTFE+316SS	Graphite+316SS	RTFE+316SS	Graphite+316SS	1
12	Disc Pin	A276 Tp 316	A276 Tp 316	A276 Tp 316	A276 Tp 316	2
13	Hex Socket Bolt	A238D-A36	A238D-A36	A238D-A36	A238D-A36	4 - 14
14	Spring Washer	A238D-A36	A238D-A36	A238D-A36	A238D-A36	2
15	Hex Nut	A238D-A36	A238D-A36	A238D-A36	A238D-A36	2
16	Stud Bolt	A238D-A36	A238D-A36	A238D-A36	A238D-A36	2
17	Flat Head Screw	A238D-A36	A238D-A36	A238D-A36	A238D-A36	2



**HIGH PERFORMANCE (Double Offset) BUTTERFLY VALVE**

**DIMENSIONS - Wafer Type, Class 150**

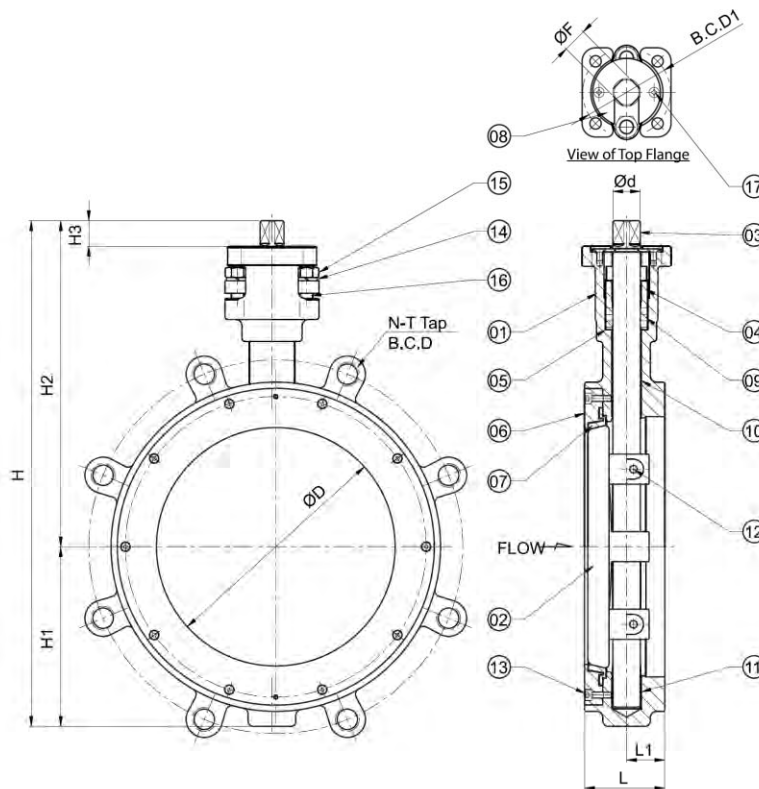
units = inches

Size	H	H1	H2	H3	d	F	D	B, C, D1	L	L1
3"	9.85	3.01	6.84	0.60	0.63	0.55	2.91	2.76	1.89	0.89
4"	11.07	3.54	7.53	0.70	0.63	0.55	3.70	2.76	2.14	1.04
5"	12.55	4.09	8.45	0.70	0.75	0.55	4.65	2.76	2.24	1.10
6"	13.62	4.53	9.09	0.75	0.87	0.67	5.51	2.76	2.28	1.08
8"	15.91	5.65	10.26	0.81	0.87	0.67	7.40	2.76	2.52	1.20
10"	18.44	6.69	11.75	0.81	1.10	0.87	9.39	4.02	2.81	1.36
12"	20.48	7.60	12.88	0.95	1.10	0.87	11.02	4.02	3.19	1.56

**DIMENSIONS - Wafer Type, Class 300**

units = inches

Size	H	H1	H2	H3	d	F	D	B, C, D1	L	L1
3"	9.85	3.01	6.84	0.60	0.63	0.55	2.91	2.76	1.89	0.89
4"	11.07	3.54	7.53	0.70	0.63	0.55	3.70	2.76	2.13	1.04
5"	12.55	4.09	8.45	0.70	0.75	0.55	4.65	2.76	2.24	1.10
6"	13.62	4.53	9.09	0.75	0.87	0.67	5.51	2.76	2.28	1.08
8"	15.91	5.65	10.26	0.81	0.87	0.67	7.40	2.76	2.87	1.48
10"	18.44	6.69	11.75	0.81	1.10	0.87	9.39	4.02	3.25	1.67
12"	20.48	7.60	12.88	0.95	1.10	0.87	11.02	4.02	3.62	1.89



**HIGH PERFORMANCE (Double Offset) BUTTERFLY VALVE**

**DIMENSIONS - LUG Type, Class 150**

units = inches

Size	H	H1	H2	H3	d	F	D	B, C, D1	L	L1
3"	9.85	3.01	6.84	0.60	0.63	0.55	2.91	2.76	1.89	0.89
4"	11.07	3.54	7.53	0.70	0.63	0.55	3.70	2.76	2.14	1.04
5"	12.55	4.09	8.45	0.70	0.75	0.55	4.65	2.76	2.24	1.10
6"	13.62	4.53	9.09	0.75	0.87	0.67	5.51	2.76	2.28	1.08
8"	15.91	5.65	10.26	0.81	0.87	0.67	7.40	2.76	2.52	1.20
10"	18.44	6.69	11.75	0.81	1.10	0.87	9.39	4.02	2.81	1.36
12"	20.48	7.60	12.88	0.95	1.10	0.87	11.02	4.02	3.19	1.56

**DIMENSIONS - LUG Type, Class 300**

units = inches

Size	H	H1	H2	H3	d	F	D	B, C, D1	L	L1
3"	9.85	3.01	6.84	0.60	0.63	0.55	2.91	2.76	1.89	0.89
4"	11.07	3.54	7.53	0.70	0.63	0.55	3.70	2.76	2.13	1.04
5"	12.55	4.09	8.54	0.70	0.75	0.55	4.65	2.76	2.24	1.10
6"	13.62	4.53	9.09	0.75	0.87	0.67	5.51	2.76	2.28	1.08
8"	15.91	5.65	10.26	0.81	0.87	0.67	7.40	2.76	2.87	1.48
10"	18.44	6.69	11.75	0.81	1.10	0.87	9.39	4.02	3.25	1.67
12"	20.48	7.60	12.88	0.95	1.10	0.87	11.02	4.02	3.62	1.89

## How To Order - Butterfly Valves

# LBHC 06 C 15 / L / HS / SR C

1

2

3

4

5

6

7

8

### 1 Linuo Valve Series

LBH	High Performance Butterfly	LBHC	Automated HP Butterfly
-----	----------------------------	------	------------------------

### 2 Valve Size

Valve Size, In Inches, Two Digits	eg: 06 for 06" Butterfly Valve
-----------------------------------	--------------------------------

### 3 Body Material

C	WCB Carbon Steel	P	CF8 Stainless Steel - SS304
S	CF8M Stainless Steel - SS316		

### 4 Pressure Class

15	ANSI Class 150	60	ANSI Class 600
30	ANSI Class 300		

### 5 End Connection

W	Wafer	L	Lug
---	-------	---	-----

### 6 Seat Type

HS	PTFE Soft Seat	HM	Metal Seat
----	----------------	----	------------

### 7 Automation

B	Bare Stem	SR	SR Actuator
L	Lever Handle	DA	DA Actuator
G	Gear Operator		

### 8 Fail Position

C	Fail Closed	L	Fail Last
O	Fail Open		

## Ask us about complete AUTOMATION PACKAGES!

We can provide actuators, limit switches, solenoids, positioners –  
for any model of Linuo Valve.

*We can assemble and test valves for your order, and ship you units  
that are ready to install and operate. Nothing could be easier!*



**Linuo Valve** offers a full line of valve products:

- ❖ Butterfly Valves
- ❖ Ball Valves
- ❖ Segment V-Ball Valves
- ❖ Globe Control Valves
- ❖ Knife Gate Valves

**See our website at [www.linuovalves.com](http://www.linuovalves.com),  
or contact us at [sales@linuovalves.com](mailto:sales@linuovalves.com)**

**Linuo Valve**  
21 Sullivan Parkway  
Fort Edward, NY 12828  
[sales@linuovalves.com](mailto:sales@linuovalves.com)  
518-747-2748



LB/HP-09/2012 REV 0 Specifications are subject to change.



**LINUO VALVE**