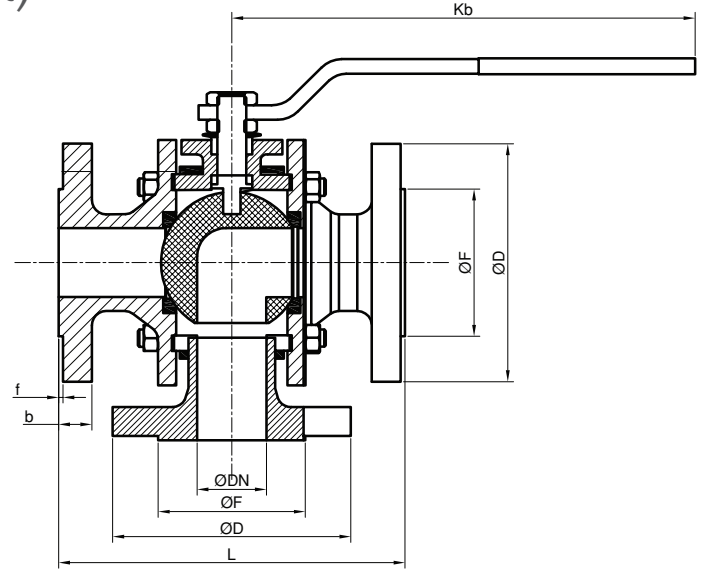
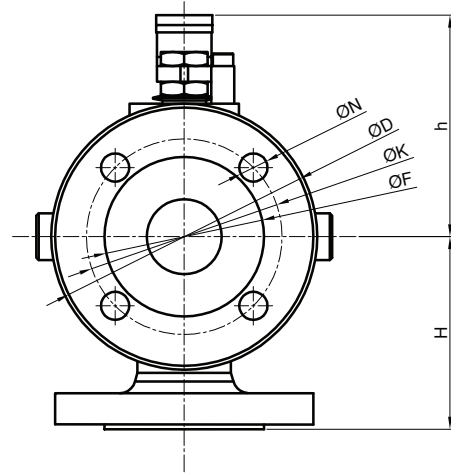


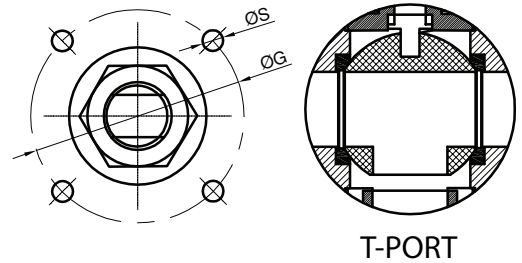
## Küresel Vana (3 yollu , Flanşlı , T-L Port) Ball Valve (3 Way , Flanged , T-L Port)



NO	PARÇA ADI	PART NAME	MALZEME/MATERIAL
1	GÖVDE	BODY	KARBON ÇELİK/AISI304/AISI316
2	KAPAK	COVER	KARBON ÇELİK/AISI304/AISI316
3	3.YOL	3.WAY	KARBON ÇELİK/AISI304/AISI316
4	CEKET	JACKET	KARBON ÇELİK/AISI304/AISI316
5	KÜRE	BALL	1.4301/1.4086/AISI304/AISI316
6	MİL	STEM	1.4021/AISI304/AISI316
7	KÜRE CONTA	BALL SEAL	PTFE
8	GÖVDE CONTA	BODY SEAL	PTFE
9	BOĞAZ CONTA	NECK SEAL	PTFE
10	BASKI RİNGİ	PRESSURE RING	ST42/AISI304
11	ÇANAK PUL	BOWL WASHER	CK70/AISI304
12	KONTRA SOMUN	COUNTER NUT	5.6/AISI304
13	SAPLAMA	STUD BOLT	ST42/AISI304
14	SOMUN	NUT	5.6/AISI304
15	STOPLAMA PİNİ	STOPPING PIM	ST42/AISI304
16	KOL	HANDLE	ST37/AISI304



DN	L	Kb	h	f	ØD	b	ØK	Hole Unit	ØN	ØF	H	ØG	ØS
15	130	150	80	2	95	14	65	4	14	46	70	36	M6
20	150	150	85	2	105	16	75	4	14	56	80	42	M6
25	160	185	90	2	115	16	85	4	14	65	85	42	M6
32	180	240	100	2	140	16	100	4	18	76	90	50	M6
40	200	280	120	3	150	16	110	4	18	84	100	50	M6
50	230	280	125	3	165	18	125	4	18	99	115	70	M8
65	290	330	150	3	185	18	145	4	18	118	145	70	M8
80	310	400	160	3	200	20	160	8	18	132	160	102	M10
100	350	460	175	3	220	20	180	8	18	156	180	125	M12
125	400	460	200	3	250	22	210	8	18	184	220	125	M12
150	450	670	265	3	285	22	240	8	22	211	300	125	M12



T-PORT

### UYGULAMA ALANLARI / APPLICATIONS

SU, SICAK SU, BASINÇLI HAVA / WATER, HOT WATER, STEAM, PRESSURIZED AIR

### TEKNİK ÖZELLİKLER / TECHNICAL PROPERTY

BAĞLANTILAR / ENDS: DIN EN 1092-1  
FACE TO FACE DIMENSIONS: EN 558-1  
ÇALIŞMA SICAKLIĞI / WORKING TEMP.: -30°C / +200°C  
ÇALIŞMA BASINCI / WORKING PRESSURE: PN16  
TEST: EN 12266-1