

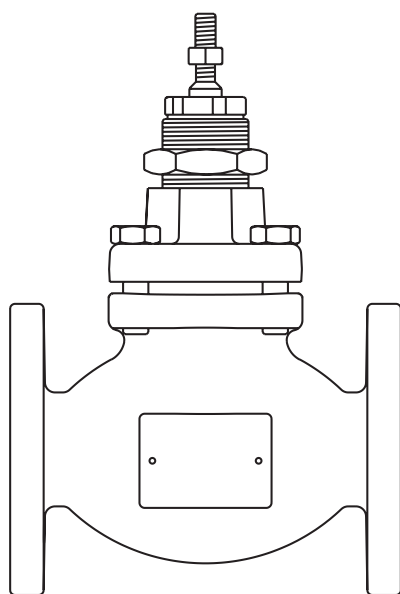


## Spira-trol™ Two-port Control Valves EN Standard K and L Series DN15 to DN100

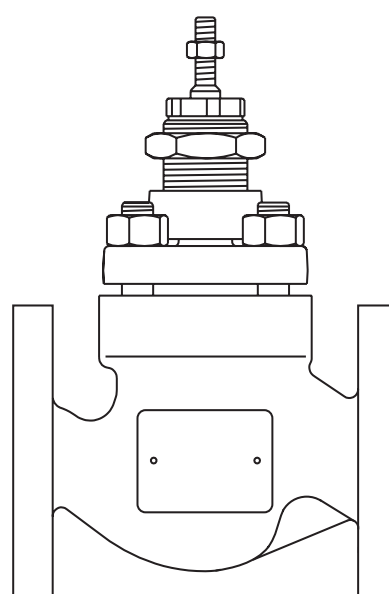
### Description

Spira-trol™ is a range of two-port single seat globe valves with cage retained seats conforming to EN standard. These valves are available in four body materials in sizes ranging from DN15 to DN100. When used in conjunction with a pneumatic or electric linear actuator they provide characterised modulating or on/off control.

**Important note:** Throughout this document, reference has been made to the standard KE or LE control valve. With the exception of trim type, the KE, LE, KF, LF, KL and LL control valves are identical.



**L Series**  
 DN15 to DN100



**K Series**  
 DN15 to DN100

### Sizes and pipe connections

Valve Series	Material	Screwed	Flanged					
		BSP	PN16	PN16	PN25	PN40	JIS/KS10	JIS/KS20
		Up to DN50	DN65 and DN100 <sup>1</sup>	DN15-DN100				
L Series	Cast Iron	•		•				
	Carbon Steel			•			•	
	Stainless Steel			•			•	
K Series	SG Iron	•	•		•		•	
	Carbon Steel					•		•
	Stainless Steel	•				•		•

<sup>1</sup> For others size use PN25 body which are dimensionally identical to PN16.

## Compliance

The Spira-trol™ control valve when coupled to the PN9000 series or AEL7 actuator (as defined in the technical information sheets TI-P357-30 and TI-P713-02) complies with the requirements of Machinery Directive 2006/42EC. Please refer to the installation and maintenance instructions for the PN9000 series (IM-P357-29) and the Spira-trol™ valve (IM-S24-42) and the AEL7 (IM-P713-01) for potential hazards and safety information relating to the installation, commissioning, maintenance and disposal of the product assembly and its component parts.

## Standards

Designed in accordance with EN 60534. This product fully complies with the requirements of the EU Pressure Equipment Directive/UK Pressure Equipment (Safety) Regulations and carries the  /  mark when so required.

## Certification

This product is available with certification to EN 10204 3.1.

**Note:** All certification/inspection requirements must be stated at the time of order placement.

## Food contact

This product is not to be used on steam, liquid or gas that either forms an ingredient of, or comes into direct contact with food products in the EU.

For up to date information on product compliance please visit : [www.spiraxsarco.com/product-compliance](http://www.spiraxsarco.com/product-compliance)

## Spira-trol™ valve characteristic - options:

**KE and LE Equal percentage (E)** - Suitable for most modulating process control applications providing good control at all flowrates.

**KF and LF Fast opening (F)** - For on/off applications only.

**KL and LL Linear (L)** - Primarily for liquid flow control where the differential pressures across the valve is constant.

## Spira-trol™ valve options:

	<b>PTFE chevron seals (P-N)</b>	Standard
<b>Stem sealing</b>	<b>Graphite packing (H)</b>	High temperature applications
	<b>Bellows/graphite secondary seals (D)</b>	Zero emissions and high temperature applications PN25 - Up to 400 °C
<b>Seating</b>	<b>Metal-to-metal</b>	431 stainless steel - standard 316L stainless steel
	<b>Soft seating</b>	Up to 152 °C - PTFE for Class VI shut-off for low temperature applications.
		Up to 220°C - PEEK (C and P) for Class VI shut-off
	<b>Hard facing</b>	316L stainless steel with Stellite™ 6 facing
<b>Bonnet type</b>	Standard bonnet	
	Extended bonnet for hot/cold applications (Only available on K Series)	
<b>Trim</b>	Standard trim	
	Low noise and anti-cavitation trim (see TI-S24-59). Not available with Reverseable PEEK Seat (C)	

Spira-trol™ is a modular valve based on 4 body sizes covering DN15-100 (DN15-25, DN32-50, DN65-80, DN100) sizes in order to reduce the number of spare parts. The valves are available with a range of accessories including actuators, positioners, solenoid valves, limit switches.

Please refer to respective data sheets.	For Special trims please refer to	TI-S24-59
	For ASME version please refer to	TI-S24-72
	For smart positioner please refer to	TI-P706-01, TI-P706-04 and TI-P707-02
	For pneumatic positioners please refer to	TI-P704-01
	For electro-pneumatic positioners please refer to	TI-P703-01 and TI-P703-03
	For large size Spira-trol™ please refer to	TI-S24-73

## Materials - DN15 to DN100 (1/2" to 4")

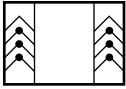
	LE3		KE7	LE-KE4		LE-KE6	
	DN15-50	DN65-100	DN15-100	DN15-50	DN65-100	DN15-50	DN65-100
<b>1 Body</b>	EN1563 : ENGJS-400-18		EN1563 : ENGJS-400-18LT	EN10273 : 1.0460	EN10213 : 1.0619N	EN10213 : 1.4408	
<b>2 Bonnet</b>	EN1563 : ENGJS-400-18	EN1561 : ENGJL-250	EN1563 : ENGJS-400-18LT	EN10213 : 1.0619N		EN10213 : 1.4408	
<b>2a Bonnet extension</b>	EN10213 : 1.0619N					EN10213 : 1.4408	
<b>2b Bellows</b>	Stainless steel 316L						
<b>2c Extended bonnet</b>	EN10213 : 1.0619N					EN10213 : 1.4408	

Alternative body and bonnet material available on request

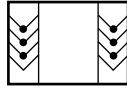
### \* Graphite packing

High temperature packing	9	Lower and upper stem guide	Stellite 6
	14	Grafoil packing	Graphite rings
	10, 11, 12, 15, 17 and 19 Not used		

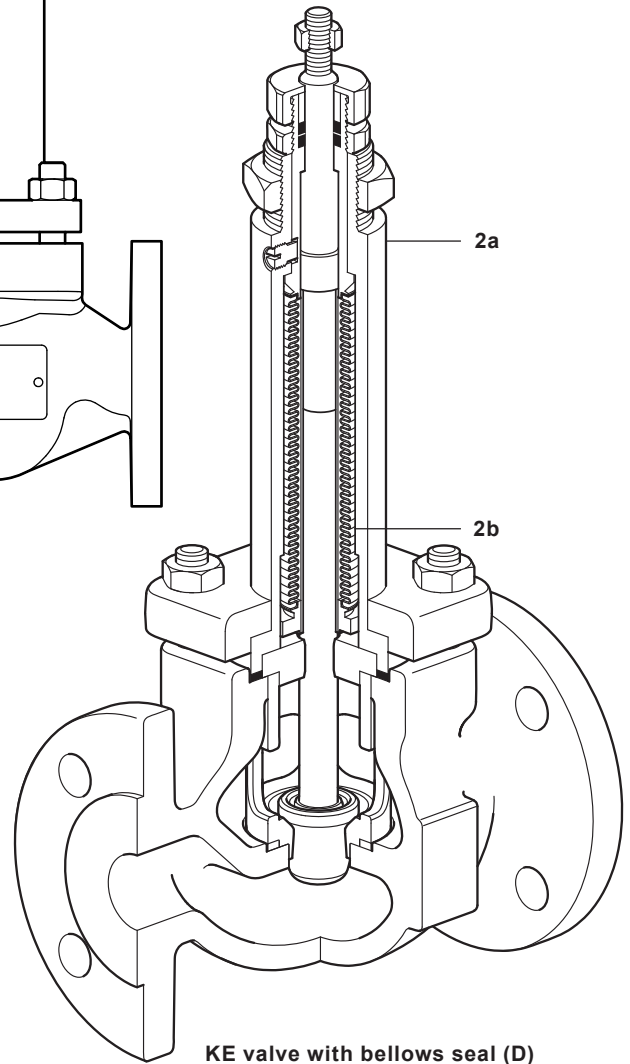
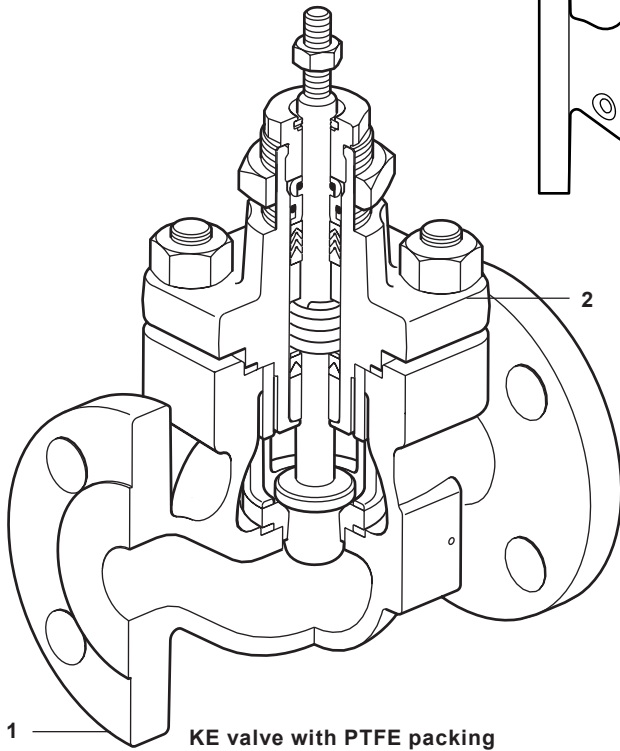
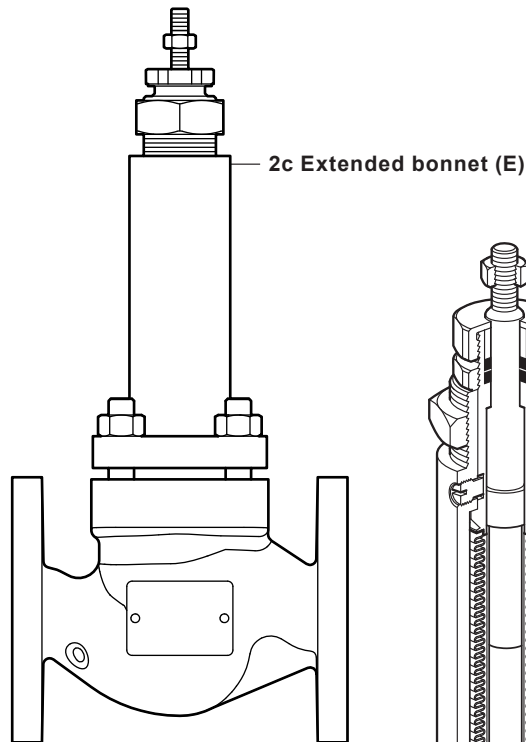
\*  
PTFE stem sealing



PTFE stem sealing for vacuum service



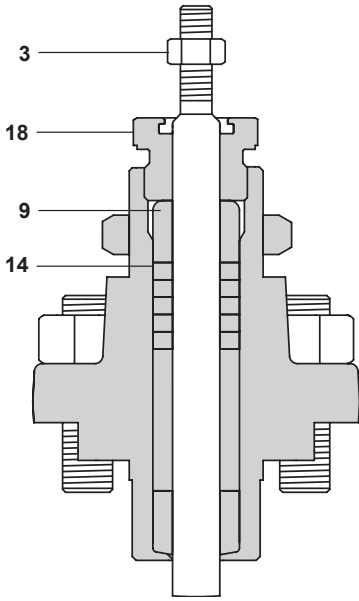
### KE valve with extended bonnet (E)



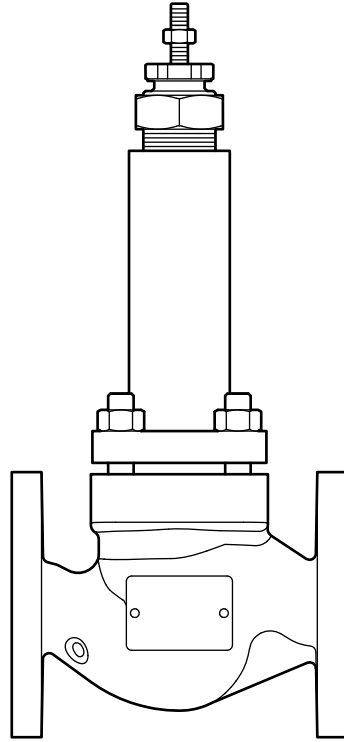
**Materials - DN15 to DN100 (1/2" to 4") continued**

<b>3</b>	<b>Stem lock-nut</b>		Stainless steel A2-70
<b>4</b>	<b>Bonnet gasket</b>		Graphite and stainless steel
<b>5</b>	<b>Seat retainer</b>		Duplex stainless steel ASME A994 CD4MCuN
<b>6</b>	<b>Valve seat ring</b>	Seat option T	Stainless steel 431
		Seat option S	Stainless steel 316L
		Seat option W	Stainless steel 316L + Stellite™ 6
		Seat option C and P	PEEK
		Seat option G	Stainless Steel 316L + PTFE
<b>7</b>	<b>Seat gasket</b>		Graphite and stainless steel
<b>8</b>	<b>Valve plug and stem</b>	Seat option T	Stainless steel 431
		Seat option S	Stainless steel 316L
		Seat option W	Stainless steel 316L + Stellite™ 6
		Seat option C/G/P	Stainless steel 316L for Stainless steel valve and Stainless steel 431 for all other materials
<b>9</b>	<b>Lower stem guide</b>	Bonnet option P	PTFE glass filled
		Bonnet option N	Nitronic™ 60
		Bonnet option H	Stellite™ 6
<b>10</b>	<b>Lower stem wiper</b>	Bonnet option P - N	PTFE
<b>11</b>	<b>Packing guard washer</b>		Stainless steel 316L
<b>12</b>	<b>Spring</b>	Bonnet option P - N	Stainless steel 316L
<b>13</b>	<b>Packing spacer</b>		Stainless steel 316L
<b>14</b>	<b>Packing set</b>	Bonnet option P - N	PTFE chevron
		Bonnet option H	Graphite rings
<b>15</b>	<b>Outer 'O' ring</b>	Bonnet option P - N	VITON™
<b>16</b>	<b>Upper stem guide</b>	Bonnet option P	PTFE glass filled
		Bonnet option N	Nitronic™ 60
		Bonnet option H	Stellite™ 6
<b>17</b>	<b>Inner 'O' ring</b>	Bonnet option P - N	VITON™
<b>18</b>	<b>Gland nut</b>		Stainless steel 316L for stainless steel valve and stainless steel 431 for all others materials
<b>19</b>	<b>Scrapper ring</b>	Bonnet option P - N	PTFE
<b>20</b>	<b>Actuator clamp nut</b>	Stainless steel valve	Nickel plated carbon steel
		All others	Zinc plated carbon steel
<b>22</b>	<b>Bonnet extension gasket</b>		Graphite and stainless steel
<b>26</b>	<b>Spindle lock and anti-rotation nut</b>		Stainless steel
<b>27</b>	<b>Nut</b>	Bolting option S	Stainless steel A2-70 for stainless steel valve and carbon steel Gr.8 for all others
		Bolting option H	Stainless steel A2-70
<b>28</b>	<b>Stud</b>	Bolting option S	Stainless steel A2-70 for stainless steel valve and carbon steel 8.8 for all others
		Bolting option H	Stainless steel A2-70

KE valve with graphite packing



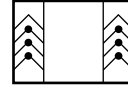
KE valve with extended bonnet (E)



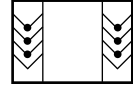
\* Graphite packing

High temperature packing	9	Lower and upper stem guide	Stellite 6
	16		
	14	Grafoil packing	Graphite rings
	10, 11, 12, 15, 17 and 19 Not used		

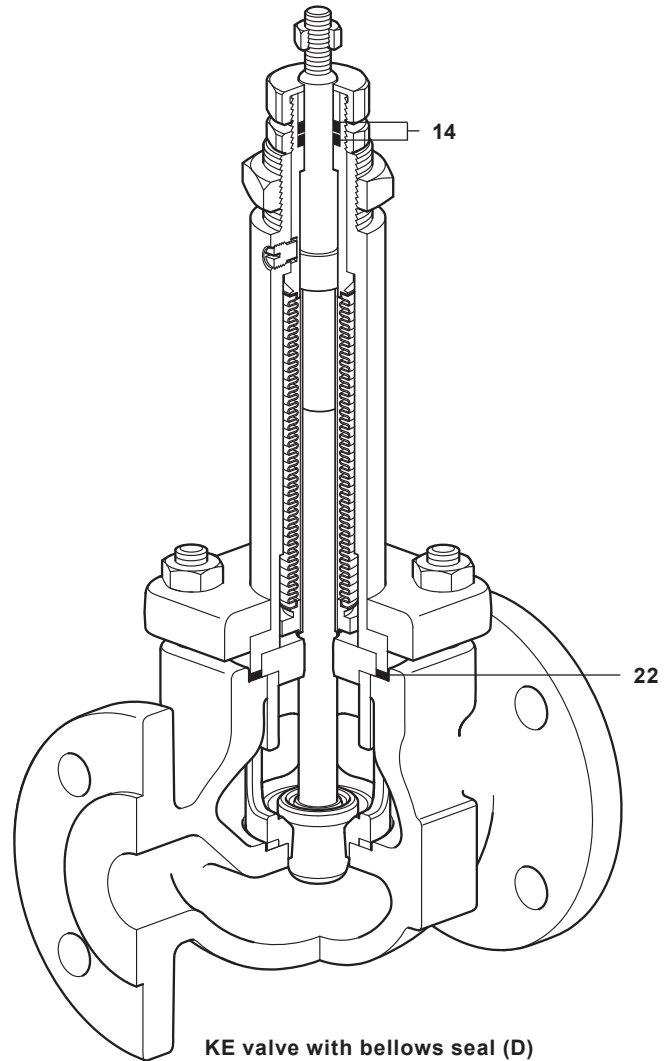
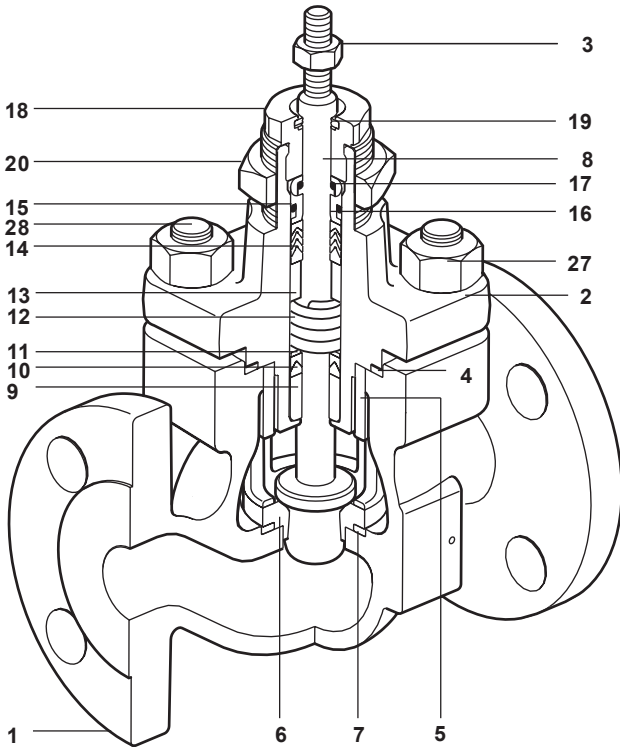
\* PTFE stem sealing



PTFE stem sealing for vacuum service



KE valve with PTFE packing



KE valve with bellows seal (D)

## K<sub>v</sub> values

Valve size		DN15 (½")	DN20 (¾")	DN25 (1")	DN32 (1¼")	DN40 (1½")	DN50 (2")	DN65 (2½")	DN80 (3")	DN100 (4")	
Standard trim	High capacity Equal %	4.9	7.2		17.5	31.0	46.0				
	Full port	Equal %	4.0	6.3	10.0	16.0	25.0	36.0	73	100	160
		Linear	4.0	6.3	10.0	16.0	25.0	36.0	73	100	160
		Fast opening	4.9	7.2	11.0	18.0	31.0	50.0	90	117	180
	Reduced trim 1	Equal %	2.5	4.0	6.3	10.0	16.0	25.0	36	73	100
		Linear	2.5	4.0	6.3	10.0	16.0	25.0	36	73	100
	Reduced trim 2	Equal %	1.6	2.5	4.0	6.3	10.0	16.0	25	36	63
		Linear	1.6	2.5	4.0	6.3	10.0	16.0	25	36	63
	Reduced trim 3	Equal %	1.0	1.6	2.5	4.0	6.3	10.0	16	25	36
		Linear	1.0	1.6	2.5	4.0	6.3	10.0	16	25	36
	Reduced trim 4	Equal %		1.0	1.6		4.0	6.3		16	
		Linear		1.0	1.6		4.0	6.3		16	
	Reduced trim 5	Equal %			1.0			4.0			
		Linear			1.0			4.0			
	Microflute (Linear only) (not available with C Seat option)		0.5	0.5	0.5						
			0.2	0.2	0.2						
			0.1	0.1	0.1						
			0.07	0.07	0.07						
			0.01	0.01	0.01						

**Note:** For low noise and anti-cavitation K<sub>v</sub> please see TI-S24-59

## Bellows D Service Life Expectancy

Valve			Process		Estimated life expectancy (operations)	
Inlet Size	Stem Ø	No. Ply	Pressure	Temperature	100% Stroke	25-75% modulation
DN15-50	12 mm	3	10.6 bar g (153.7 psi g)	20 °C (68 °F)	220,000	>2,000,000
			10.6 bar g (153.7 psi g)	185 °C (365 °F)	150,000	>2,000,000
			17.1 bar g (247.9 psi g)	400 °C (752 °F)	30,000	750,000
DN65-100	16 mm	3	10.6 bar g (153.7 psi g)	20 °C (68 °F)	200,000	>2,000,000
			10.6 bar g (153.7 psi g)	185 °C (365 °F)	140,000	2,000,000
			17.1 bar g (247.9 psi g)	400 °C (752 °F)	30,000	150,000

**Note:** 316L material. Refer to IM-S24-42 for valve body material pressure and temperature limitations

**For Full Temperature/Pressure Operating Curves, please refer to IM-S24-42**

**Spira-trol series valve**

<b>Nominal Pressure</b>		PN16	PN25	PN16	PN40	PN16	PN40
<b>Body Material</b>		LE3	KE7	LE4	KE4	LE6	KE6
<b>Connection type</b>	Flanged	PN16	DN15-100	DN65 and 100	DN15-100	DN15-100	N/A
		PN25		DN15-100			
		PN40				DN15-100	DN15-100
		JIS/KS10		DN15-100	DN15-100		DN15-100
		JIS/KS20				DN15-100	DN15-100
	Threaded BSP	DN15-50	DN15-50			DN15-50	
<b>Maximum operating pressure</b>	PN16	16 bar @ 120 °C	16 bar @ 120 °C	16 bar @ 50 °C		16 bar @ 100 °C	
		PN25		25 bar @ 120 °C			
	Flanged	PN40				40 bar @ 50 °C	40 bar @ 100 °C
		JIS/KS10		13,7 bar @ 120 °C	14 bar @ 120 °C		14 bar @ 120 °C
		JIS/KS20				34 bar @ 120 °C	34 bar @ 120 °C
	Threaded BSP	16 bar @ 120 °C	25 bar @ 120 °C			40 bar @ 100 °C	
<b>Maximum operating temperature</b>	Seat	PEEK C and P	220 °C				
		PTFE insert G	152 °C				
	431S29 T	400 °C					
	316L S						
	316L/ Stellite6 W						
<b>Operating temperature range</b>	Std. Bonnet	-10 to +300 °C	-10 to +300 °C	-10 to +300 °C		-10 to +300 °C	
	Ext. Bonnet		-10 to +350 °C		-10 to +400 °C	-10 to +400 °C	

**Spira-trol series valve (continued on next page)**

**Spira-trol series valve (continued)**

		Body Material	LE3	KE7	LE4	KE4	LE6	KE6
<b>Maximum operating temperature</b>	Stem Seal	P and N	250 °C					
		H	400 °C					
		Bellows D	400 °C					
<b>Maximum operating temperature</b>	Body	PN16	300 °C	350 °C	400 °C		400 °C	
		PN25		350 °C				
		Flanged PN40				400 °C		400 °C
		JIS/KS10		300 °C	300 °C		300 °C	
		JIS/KS20				400 °C		400 °C
		Threaded BSP	300 °C	350 °C	400 °C		400 °C	
<b>Maximum saturated steam service</b>	Body	PN16	12.9 bar g	14.6 bar g	13.3 bar g		13.4 bar g	
		PN25		22.5 bar g				
		Flanged PN40				31.1 bar g		32.2 bar g
		JIS/KS10		12.4 bar g	13 bar g	N/A	13 bar g	
		JIS/KS20				30.1 bar g		30.1 bar g
		Threaded BSP	12.9 bar g	22.5 bar g				32.2 bar g
		Seat	C and P	19 bar g				
G	4 bar g							
Bellows	D	12.9 bar g	22.5 bar g	13.3 bar g	20.2 bar g	13.4 bar g	20.6 bar g	
<b>Leakage class</b>	In accordance to IEC 60534-4	PEEK	Class VI					
		PTFE	Class VI					
		Metal	Class IV (Class V on request)					
		Stellite™	Class IV (Class V on request)					
		Balanced	Class IV					
<b>Characteristic</b>		Equal %	Linear			Fast Acting		
<b>Rangeability</b>		50 : 1	30 : 1			10 : 1		
<b>Travel</b>		DN15 to DN50 : 20 mm (Reduce travel on Microflute trim) DN65 to DN100 : 30 mm						

**Note:** Consider the limitation of all of the constructive components when selecting a valve



**Maximum differential pressures for Class IV shut-off**  
**- Metal Seated (T&S)**  
**- FLOW UNDER**  
**- standard trim**  
**- (Pneumatic Actuators)**

Acuator Type	Valve DN		DN15 to DN25																																						
	Kvs	Stem sealing Actuator thrust	0.01-0.07-0.1-0.2			0.5-1.0			1.6			2.5			4.0			4.9-6.3			7.2			10			11														
			N-P	H	D	N-P	H	D	N-P	H	D	N-P	H	D	N-P	H	D	N-P	H	D	N-P	H	D	N-P	H	D	N-P	H	D												
PN9120E 0.2-1.0	192		40																																						
PN9120E 0.4-1.2	384		40	40	25	26.5	0.6	12.2																																	
PN9126E 1.0-2.0	960		40	40	25	40	40	25	40	40	25	40	25	40	40	25	40	29.5	25	27.8	12.9	21.3	15.4	15.4	15.4	15.4	8.7	20.5	20.5	40	40	40	40	40	40	40	40	40	40	40	
PN9123E 2.0-4.0	1920		40	40	25	40	40	25	40	40	25	40	25	40	40	25	40	40	40	40	40	40	25	25	25	25	25	40	40	40	40	40	40	40	40	40	40	40	40	40	40

**Maximum differential pressures for Class IV shut-off**  
**- Metal Seated (T&S)**  
**- FLOW UNDER**  
**- standard trim**  
**- (Pneumatic Actuators)**  
**- continued**

Valve size		DN32 to DN50																								
		4.0			6.3			10			16			17.5 - 18			25			31-36			46-50			
		N-P	H	D	N-P	H	D	N-P	H	D	N-P	H	D	N-P	H	D	N-P	H	D	N-P	H	D	N-P	H	D	
Actuator type	Kvs																									
	Stem sealing Actuator thrust																									
PN9120E 0.4-1.2	384	7.9																								
	960	40	31.5	25	30.3	15.4	23.8	17.4	7.8	13.2	10.1	5.6	10.1	9.5	3.4	6.9	3.6	0.3	2.2	2.3	1					
PN9123E 2.0-4.0	1920	40	40	25	40	40	25	40	38.4	25	25	30.9	25	29.1	23	25	14.2	10.9	12.7	10.8	7	5.1	6.2			
	680	33.2	7.6	22.1	16.3	1.4	9.9	8.5		4.3	2.7	6.2		3.8		1.2	0.5									
PN9220E 0.4-1.2	1360	40	40	25	40	35.2	25	30.1	20.6	25	24.1	16.2	20.6	17.7	11.6	15	8	4.7	6.6	5.8	3.2	4.7	3.5	1.6	2.7	
	3400	40	40	25	40	40	25	40	40	25	40	40	25	40	40	25	30.5	27.2	25	23.8	21.2	22.7	16.3	14.4	15.5	
PN9223E 2.0-4.0	6800	40	40	25	40	40	25	40	40	25	40	40	25	40	40	25	40	40	25	40	40	25	37.7	35.8	25	

**Maximum differential pressures for Class IV shut-off**  
- Metal Seated (T&S)  
- FLOW UNDER  
- standard trim  
- (Pneumatic Actuators)  
- continued

Actuator Type	DN65 to 100																					
	Valve size			16			25			36			63-73-90			100-117			160-180			
	Kvs	Stem sealing	Actuator thrust	P	H	D	P	H	D	P	H	D	P	H	D	P	H	D	P	H	D	
PN9230E 0.2-1.0	680		2.8		1.2																	
PN9230E 0.4-1.2	1360		16.6	6.3	15	5.4	0.9	4.7	3.2	2.7	0.9	0.7										
PN9236E 1.0-2.0	3400		40	40	25	23.4	18.9	22.7	16	12.8	15.5	6.4	7.9	4.7	3.5	2.5	1.8	2.4				
PN9233E 2.0-4.0	6800		40	40	25	40	40	25	37.4	34.2	21	20.2	18.4	19.9	12.4	11.2	7.3	6.6	7.2			
PN9330E 0.2-1.0	1340		16.2	5.9	14.6	5.2	0.7	4.5	3	2.5	0.9	0.6										
PN9330E 0.4-1.2	2680		40	33.2	25	17	12.5	16.3	11.5	8.3	11	5.6	3.8	5.3	3.1	1.9	2.9	1.5	0.7	1.4		
PN9336E 1.0-2.0	6700		40	40	25	40	40	25	36.7	33.5	25	19.8	18	19.5	12.2	11	7.1	6.4	7			
PN9337E 2.5-3.5	16750		40	40	25	40	40	25	40	40	25	40	25	34.9	33.8	25	21.3	20.6	21.2			

**Maximum differential pressures for Class IV shut-off**  
- Metal Seated (T&S)  
- FLOW UNDER  
- standard trim  
- (Electric Actuators)

Acuator Type	Valve DN		DN15 to DN25																											
	Kvs	Stem sealing Actuator thrust	Up to 0,2			0.5-1.0			1.6			2.5			4.0			4.9-6.3			7.2			10			11			
			N-P	H	D	N-P	H	D	N-P	H	D	N-P	H	D	N-P	H	D	N-P	H	D	N-P	H	D	N-P	H	D	N-P	H	D	
<b>AEL3</b>	2000		40	40	25	40	40	25	40	40	25	40	40	25	40	40	25	40	40	25	40	40	25	40	38.3	30.5	25	38.3	30.5	25
<b>AEL71T</b>	900		40	40	25	40	40	25	40	40	25	40	39.7	25	40	24.2	25	40	24.8	9.9	18.3	6.3	13	13.5	9.3	2.1	6.5	9.9	2.1	6.5
<b>AEL71</b>	1200		40	40	25	40	40	25	40	40	25	40	40	25	40	40	25	39.7	24.8	25	29.9	18.1	24.8	23	17.6	9.9	14.2	17.6	9.9	14.2
<b>AEL72/82</b>	2000		40	40	25	40	40	25	40	40	25	40	40	25	40	40	25	40	40	25	40	40	25	40	38.3	30.5	25	38.3	30.5	25
<b>AEL72T</b>	2100		40	40	25	40	40	25	40	40	25	40	40	25	40	40	25	40	40	25	40	40	25	40	40	33.1	25	40	33.1	25
<b>AEL73</b>	4000		40	40	25	40	40	25	40	40	25	40	40	25	40	40	25	40	40	25	40	40	25	40	40	40	25	40	40	25
<b>AEL83</b>	4500		40	40	25	40	40	25	40	40	25	40	40	25	40	40	25	40	40	25	40	40	25	40	40	40	25	40	40	25

**Maximum differential pressures for Class IV shut-off**  
 - Metal Seated (T&S)  
 - FLOW UNDER  
 - standard trim  
 - (Electric Actuators)  
 - continued

Actuator type	DN32 to DN50																															
	Valve size			4.0			6.3			10			16			17.5 - 18			25			31-36			46-50							
	Kvs	Stem sealing	Actuator thrust	N-P	H	D	N-P	H	D	N-P	H	D	N-P	H	D	N-P	H	D	N-P	H	D	N-P	H	D	N-P	H	D					
																												N-P	H	D	N-P	H
AEL3	2000			40	40	25	40	40	25	40	40	25	40	40	25	40	40	25	40	40	25	40	40	25	40	40	25					
AEL71T	900			40	26.4	25	27.3	12.4	20.8	15.5	5.9	11.3	12	4.1	8.5	8.3	2.2	5.6	5.6	2.9	2.9	1.8	1.5	13.6	11.5	8.8	10.3	7.5	5.6	6.7		
AEL71	1200			40	40	25	40	27.3	25	25	15.5	20.9	19.8	12	16.4	14.4	8.3	11.8	6.2	6.2	4.4	1.8	4.8	4.8	4.4	1.8	3.3	2.5	0.6	1.7		
AEL72/82	2000			40	40	25	40	40	25	40	40	25	40	33	25	30.7	24.6	25	15	11.7	13.6	11.5	13.6	10.3	11.5	8.8	10.3	7.5	5.6	6.7		
AEL72T	2100			40	40	25	40	40	25	40	40	25	40	35.6	25	32.7	26.6	25	16.1	12.8	14.7	12.4	14.7	11.2	12.4	9.7	11.2	8.1	6.2	7.3		
AEL73	4000			40	40	25	40	40	25	40	40	25	40	40	25	40	40	25	37.1	33.8	25	29.1	26.5	25	29.1	26.5	20.1	18.2	19.3			
AEL74/84	6000			40	40	25	40	40	25	40	40	25	40	40	25	40	40	25	40	40	40	40	25	40	40	40	40	25	40	25		
AEL83	4500			40	40	25	40	40	25	40	40	25	40	40	25	40	40	25	40	40	40	40	25	40	40	40	40	25	40	25		

Maximum differential pressures for Class IV shut-off  
 - Metal Seated (T&S)  
 - FLOW UNDER  
 - standard trim  
 - (Electric Actuated)  
 - continued

Actuator Type	DN65 to DN100																							
	Valve size			16			25			36			63-73			100-117			160-180					
	Kvs	Stem sealing	Actuator thrust	P	H	D	P	H	D	P	H	D	P	H	D	P	H	D	P	H	D			
AEL71T	900		7.3	5.6	1.3	0.6	0.3																	
AEL71	1200		13.4	3	11.8	3.3	2.2	1.7	0.4	0.1														
AEL72/82	2000		29.7	19.3	25	11	6.6	10.3	7.2	4	6.7	3.2	1.4	2.9	1.5	0.4	1.3	0.5				0.4		
AEL72T	2100		31.7	21.3	25	11.9	7.4	11.2	7.8	4.6	7.3	3.6	1.8	3.3	1.7	0.6	1.6	0.6				0.5		
AEL73	4000		40	40	25	28.7	24.2	25	19.8	16.6	19.3	10.3	8.5	10	6	4.9	5.9	3.3	2.6	3.2				
AEL74/84	6000		40	40	25	40	40	25	32.3	29.1	25	17.4	15.6	17.1	10.6	9.4	10.4	6.1	5.4	6				
AEL75/85	8000		40	40	25	40	40	25	40	40	25	24.4	22.6	24.1	15.1	13.9	14.9	9	8.2	8.9				
AEL76/86	12000		40	40	25	40	40	25	40	40	25	38.6	36.8	25	24.2	23	24	14.6	13.9	14.5				
AEL77/87	15000		40	40	25	40	40	25	40	40	25	40	40	25	30.9	29.8	25	18.8	18.1	18.7				
AEL78	20000		40	40	25	40	40	25	40	40	25	40	40	25	40	40	25	25.9	25.2	25				
AEL83	4500		40	40	25	40	40	25	40	40	25	40	40	25	40	40	25	25.9	25.2	25				
			Only for 431 trim																					

Actuator Type	DN15 to DN25																							
	Valve size		0.01-0.07		0.1-0.2		0.5		1.0		1.6		2.5		4.0		4.9-6.3		7.2					
	Kvs	Stem sealing Actuator thrust	N-P	H	D	N-P	H	D	N-P	H	D	N-P	H	D	N-P	H	D	N-P	H	D	N-P	H	D	
PN9126E 1.0-2.0	960		19	19	19	19	19	19	19	19	19	19	19	19	19	19	19	19	19	19	19	19	19	
PN9123E 2.0-4.0	1920		19	19	19	19	19	19	19	19	19	19	19	19	19	19	19	19	19	19	19	19	19	

Actuator Type	DN15-25										
	Valve size		10			11					
	Kvs	Stem sealing Actuator thrust	N-P	H	D	N-P	H	D			
PN9126E 1.0-2.0	960		19	13.8	19	18.6	10.9	15.3			
PN9123E 2.0-4.0	1920		19	19	19	19	19	19			

Maximum differential pressures for Class VI shut-off

- Resilient Seated (P&C)
- FLOW UNDER
- standard trim
- (Pneumatic Actuators)

**Note** : Maximum differential pressure for saturated steam. Refer to Spirax Sarco for other liquids or gases.

**Maximum differential pressures for Class VI shut-off**  
**- Resilient Seated (P&C)**  
**- FLOW UNDER**  
**- standard trim**  
**- (Pneumatic Actuators)**  
**- continued**

Actuator Type	DN32 to DN50																								
	Valve size						4.0		6.3		10		16		17.5 - 18		25		31-36		46-50				
	Kvs		Stem sealing		Actuator thrust		N-P	H	D	N-P	H	D	N-P	H	D	N-P	H	D	N-P	H	D				
PN9126E 1.0-2.0	960	19	16	19	19	16	19	13.8	16	19	11.1	15.6	14.3	8.2	11.7	7.1	3.8	5.7	2.8	4.3	3.6	1.7	2.8		
PN9123E 2.0-4.0	1920	19	16	19	19	16	19	19	16	19	19	16	19	16	17.7	14.4	16	13.9	11.3	12.8	9.7	7.8	8.8		
PN9220E 0.2-1.0	680	19	17.4	16	19	8.9	16	14.5	4.9	10.3	3.7	8.2	8.6	2.5	6	4	0.7	2.6	3	0.4	1.9	1.9	1.1		
PN9220E 0.4-1.2	1360	19	19	16	19	19	16	19	19	16	19	16	19	16.4	16	11.5	8.2	10.1	9	6.4	7.9	6.1	4.3	5.3	
PN9226E 1.0-2.0	3400																				19	19	16	17.1	16

Actuator Type	DN65 to 100																								
	Valve size						16		25		36		63-73-90		100-117		160-180								
	Kvs		Stem sealing		Actuator thrust		P	H	D	P	H	D	P	H	D	P	H	D							
PN9230E 0.2-1.0	680	7.6	6	2.6	1.9	1.6	1.1	0.5	0.3	0.1															
PN9230E 0.4-1.2	1360	19	11.1	19	8.6	4.1	7.9	5.8	2.6	5.3	2.9	1.1	2.7	1.7	0.5	1.5	0.9	0.1	0.8						
PN9236E 1.0-2.0	3400				19	19	18.7	15.5	18.2	10.2	8.4	9.9	6.3	5.1	6.1	3.7	3	3.6							
PN9233E 2.0-4.0	6800										19	19	14	12.8	13.8	8.5	7.8	8.4							
PN9330E 0.2-1.0	1340	19	10.7	19	8.4	3.9	7.7	5.7	2.5	5.2	2.9	1.1	2.6	1.6	0.5	1.4	0.8	0.1	0.7						
PN9330E 0.4-1.2	2680				19	15.7	19	14.1	10.9	13.6	7.6	5.8	7.3	4.7	3.5	4.5	2.7	2	2.6						
PN9336E 1.0-2.0	6700										19	19	13.8	12.6	13.6	8.4	7.7	8.3							
PN9337E 2.5-3.5	16750															19	19	19							

**Note :** Maximum differential pressure for saturated steam. Refer to Spirax Sarco for other liquids or gases.



**Maximum differential pressures for Class VI shut-off  
- Resilient Seated (P&C)  
- FLOW UNDER  
- standard trim  
- (Electric Actuators)**

Actuator Type	Valve size												
	DN15 to DN25												
	Kvs	Upto Kv6.3			7.2			10			11		
		P	H	D	P	H	D	P	H	D	P	H	D
AEL3	10	10	10	10	10	10	10	10	10	10	10	10	
AEL71T	19	19	19	19	15.2	19	19	11.9	17.3	17.1	9.3	13.7	
AEL71	19	19	19	19	19	19	19	19	19	19	17.1	19	
AEL72/82	19	19	19	19	19	19	19	19	19	19	19	19	

Actuator Type	Valve size																								
	DN32 to DN50																								
	Kvs	4			6.3			10			16			17.5-18			25			31-36			46-50		
		P	H	D	P	H	D	P	H	D	P	H	D	P	H	D	P	H	D	P	H	D	P	H	D
AEL3	10	10	10	10	10	10	10	10	10	10	10	10	10	10	10	10	10	10	10	10	10	10	10	10	10
AEL71T	19	19	19	19	19	19	19	11.9	17.3	17.4	9.5	14	13.1	7	10.4	6.5	3.2	5	4.9	2.3	3.8	3.3	1.4	2.4	
AEL71	19	19	19	19	19	19	19	19	19	19	17.4	19	19	13.1	16.6	9.8	6.5	8.3	7.6	4.9	6.4	5.1	3.3	4.3	
AEL72/82	19	19	19	19	19	19	19	19	19	19	19	19	19	19	19	18.6	15.3	17.1	14.6	12	13.5	10.2	8.3	9.4	
AEL72T																				15.5	12.9	14.1	10.8	8.9	10
AEL83																				17.3	14.6	16.1	12.1	10.2	11.2

**Note :** Maximum differential pressure for saturated steam. Refer to Spirax Sarco for other liquids or gases.

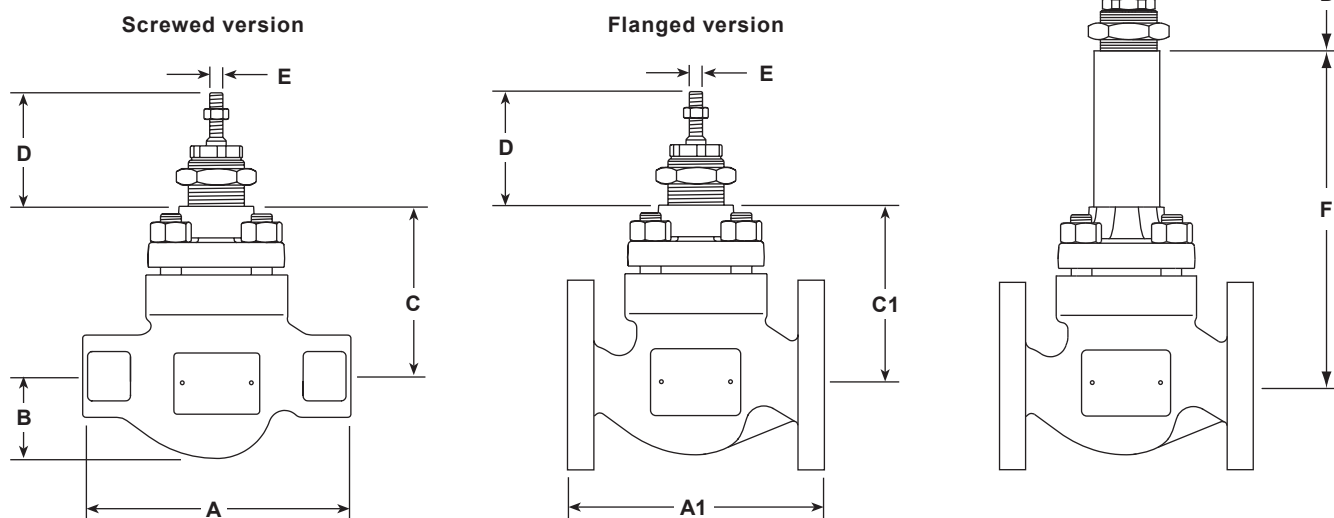
**Maximum differential pressures for Class VI shut-off**  
**- Resilient Seated (P&C)**  
**- FLOW UNDER**  
**- standard trim**  
**- (Electric Actuators)**  
**- continued**

Actuator Type	Valve size	DN65 to DN100																		
		16			25			36			63-90			100-117			160-180			
		P	H	D	P	H	D	P	H	D	P	H	D	P	H	D	P	H	D	
AEL71T	Kvs	12.1	1.7	10.4	4.5	3.8	2.9	2.4	1.3	1										
	Stem sealing																			
AEL71	Actuator thrust	18.2	7.8	16.6	7.2	2.7	4.8	4.3	2.4	0.6	2.1	1.3	1.1	0.6	0.5					
	900	19	19	19	14.2	9.7	9.9	6.6	5.2	3.4	4.9	3.1	2	1.8	1	1.7				
AEL72/82	Actuator thrust	15.1	4.7	19	14.2	9.7	10.5	7.3	5.6	3.8	5.3	3.3	2.2	1.9	1.2	1.8				
	2100																			
AEL73	Actuator thrust								12.3	10.5	12	7.6	6.5	4.6	3.9	4.5				
	4000								19	17.6	19	12.2	11	7.4	6.7	7.3				
AEL74/84	Actuator thrust																			
	6000																			
AEL75/85	Actuator thrust											16.7	15.5	10.2	9.5	10.1				
	8000																			
AEL76/86	Actuator thrust																15.9	15.2	15.8	
	12000																			
AEL77/87	Actuator thrust																			
	15000																			
AEL83	Actuator thrust	19	19	19	16.8	12.3	10.5	7.3	10											
	2300 (reduced thrust)																			
AEL83	Actuator thrust								12.3	10.5	12	7.6	6.5	4.6	3.9	4.5				
	4500																			

**Note :** Maximum differential pressure for saturated steam. Refer to Spirax Sarco for other liquids or gases.

**Dimensions** for the **Spira-trol™ two-port control valve** approximate in mm and (inches)

Valve size	Screwed BSP			Flanged		D	E Thread	F		
	A	B	C	A1 All (except LE43/LE63 JIS/KS10)	C1 LE43/63 JIS/KS10			Bellows seals	Extended bonnet	
DN15 (½")	130	40	103	130	124	103	69 (2¾")	M8	237 (9")	213.5 (8.41")
DN20 (¾")	155	45	103	150	144	103				
DN25 (1")	160	50	103	160	160	103				
DN32 (1¼")	185	60	132	180	176	132				
DN40 (1½")	205	65	132	200	198	132				
DN50 (2")	230	80	127	230	222	127	81 (3")	M12	368 (14½")	345.6 (13.61")
DN65 (2½")				290	290	201				
DN80 (3")				310	310	201				
DN100 (4")				350	350	216			381 (15")	360.6 (14.20")

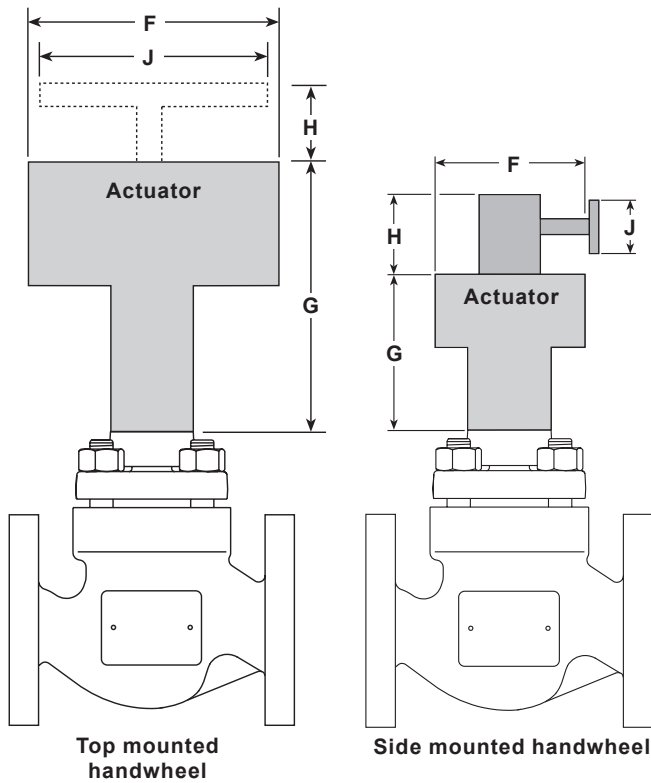


**Weights**  
approximate  
in kg (and lbs)

Valve size	KE valves					LE valves				Additional bellows and Extended bonnet
	KE43	KE61	KE63	KE71	KE73	LE31	LE33	LE43	LE63	
DN15 (½")	6.0	4.5	5.5	4.5	5.5	4.0	5.0	5.0	5.0	4.5 (10)
DN20 (¾")	6.8	5.5	6.8	5.5	6.8	5.0	6.0	6.0	6.0	
DN25 (1")	7.0	6.0	7.0	6.0	7.0	5.5	6.5	6.5	6.5	
DN32 (1¼")	13.5	11.5	13.5	11.5	13.5	9.0	10.0	10.0	10.0	5.5 (12)
DN40 (1½")	14.0	12.0	14	12.0	14.0	10.0	12.8	12.8	12.8	
DN50 (2")	17.0	13.0	17.0	13.0	17.0	11.0	15.0	15.0	15.0	
DN65 (2½")	35.0		35.0		35.0	-	32.0	32.0	32.0	10 (21)
DN80 (3")	40.0		40.0		40.0	-	36.0	36.0	36.0	
DN100 (4")	54.0		54.0		54.0	-	53.0	53.0	53.0	13 (28)

**Dimensions/weights** for the **PN actuator range** approximate in mm and kgs (inches and lbs)

Actuator range and variants	F		G		H		J		Weight			
	mm	inches	mm	inches	mm	inches	mm	inches	Actuator		With handwheel	
									kg	lbs	kg	lbs
PN9100E	170	6 <sup>1</sup> / <sub>16</sub> "	275	10 <sup>7</sup> / <sub>8</sub> "	55	2 <sup>3</sup> / <sub>16</sub> "	225	8 <sup>7</sup> / <sub>8</sub> "	6	13.25	+5.86	+13.00
PN9100R					140	5 <sup>1</sup> / <sub>2</sub> "					+2.50	+5.50
PN9200E	300	11 <sup>1</sup> / <sub>8</sub> "	300	11 <sup>1</sup> / <sub>8</sub> "	55	2 <sup>3</sup> / <sub>16</sub> "	225	8 <sup>7</sup> / <sub>8</sub> "	17	37.50	+7.20	+15.75
PN9200R					140	5 <sup>1</sup> / <sub>2</sub> "					+3.77	+8.50
PN9320E	390	15 <sup>1</sup> / <sub>2</sub> "	325	12 <sup>3</sup> / <sub>8</sub> "	65	2 <sup>9</sup> / <sub>16</sub> "	350	13 <sup>3</sup> / <sub>4</sub> "	27	59.50	+7.20	+15.75
PN9320R					150	15 <sup>1</sup> / <sub>8</sub> "					+3.77	+8.50
PN9330E	390	15 <sup>1</sup> / <sub>2</sub> "	335	13 <sup>3</sup> / <sub>8</sub> "	65	2 <sup>9</sup> / <sub>16</sub> "	350	13 <sup>3</sup> / <sub>4</sub> "	27	59.50	+7.20	+15.75
PN9330R					150	15 <sup>1</sup> / <sub>8</sub> "					+3.77	+8.50
TN2100E	405	16"	369	14 <sup>1</sup> / <sub>2</sub> "	402	15 <sup>5</sup> / <sub>16</sub> "	330	13"	37	83.25	+23.00	+51.75
TN2100R												
TN2100DA	405	16"	369	14 <sup>1</sup> / <sub>2</sub> "					30	67.50		



**Dimensions/weights** for the **AEL actuator ranges**

approximate in mm and kgs (and in inches and lbs)

Actuator	F		G		Weight	
	mm	inches	mm	inches	kg	lbs
AEL3	230	9	283	11 <sup>1</sup> / <sub>4</sub>	5.7	12.5
AEL71T	162	6	490	19 <sup>1</sup> / <sub>4</sub>	8.7	19.5
AEL72T			508	20	9.3	20.5
AEL71	129	5	292	11 <sup>1</sup> / <sub>2</sub>	2.1	5
AEL72-3	173	7	379	15	4.8	11
AEL74	211	8 <sup>1</sup> / <sub>4</sub>	474	18 <sup>3</sup> / <sub>4</sub>	8.0	18
AEL75-7	259	10 <sup>1</sup> / <sub>4</sub>	527	20 <sup>3</sup> / <sub>4</sub>	15.0	33
AEL78	283	11 <sup>1</sup> / <sub>4</sub>	657	26	19.0	42
AEL62-3	180	7	459	18	5.0	11
AEL64			490	19 <sup>1</sup> / <sub>4</sub>	7.0	15.5
AEL65			557	22	10.0	22
AEL66	226	9	760	30	20.0	44

## Spare parts

### Spira-trol™ two-port control valve DN15 to DN100 - 1/2" to 4"

The spare parts available are shown in solid outline. Parts drawn in a grey line are not supplied as spares.

**Note:** When placing an order for spare parts please specify clearly the full product description as found on the label of the valve body, as this will ensure that the correct spare parts are supplied.

#### Available spares - K series

<b>Actuator clamping nut</b>		<b>A</b>
<b>Gasket set</b>	(Non-bellows sealed)	<b>B, G</b>
	<b>PTFE packing</b>	<b>C</b>
<b>Stem seal kits</b>	<b>Graphite packing</b>	<b>C1</b>
	<b>Graphite seal set</b>	<b>C2</b>
	<b>* Equal percentage trim</b> (No gaskets supplied)	<b>D, E</b>
<b>Plug stem and seat kit</b>	<b>Fast opening trim</b> (No gaskets supplied)	<b>D1, E</b>
	<b>Linear trim</b> (No gaskets supplied)	<b>D2, E</b>
<b>PTFE soft seat seal</b>		<b>H</b>

\* Specify if reduced trim.

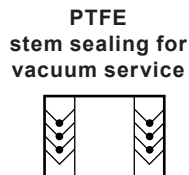
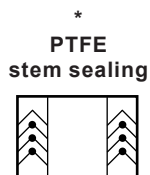
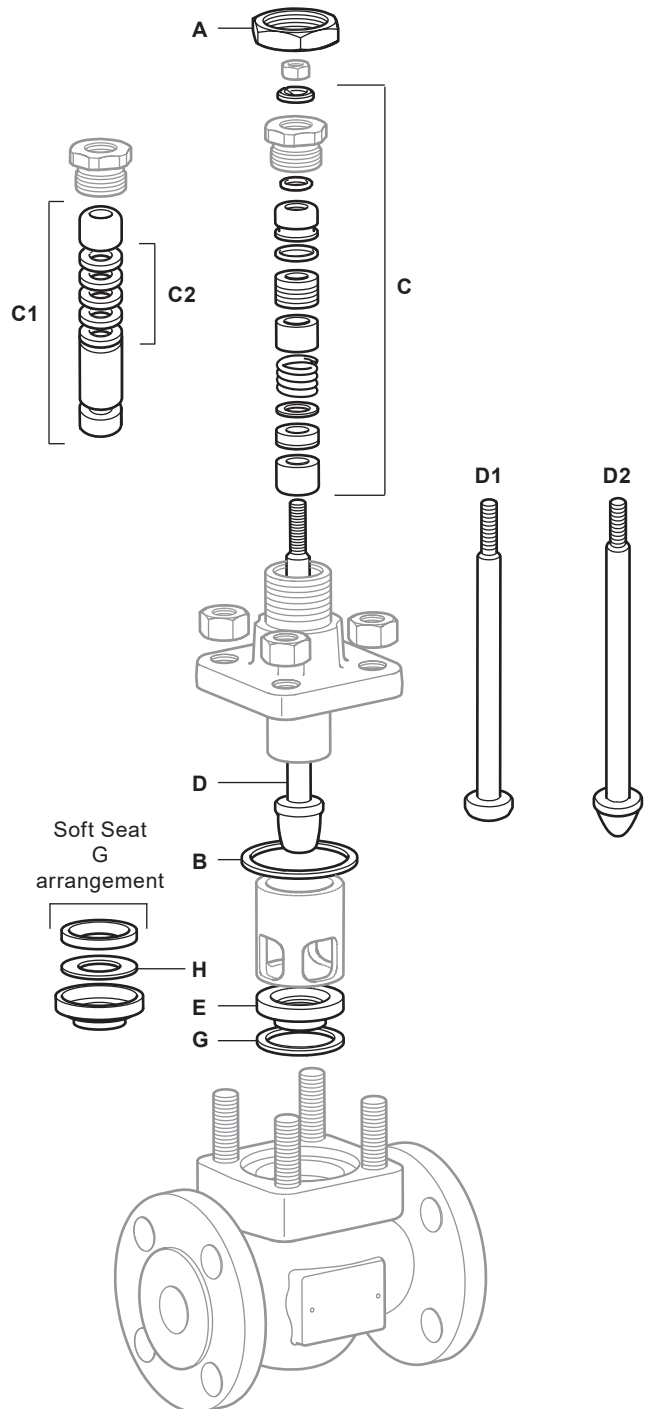
#### How to order spares

Always order spares by using the description given in the column headed 'Available spares', and state the size and type of valve including the full product description of the product.

**Example:** 1 - PTFE stem seal kit for a Spirax Sarco DN25 Spira-trol™ two-port KE43 PTSUSS.2 Kv 10 control valve.

#### How to fit spares

Full fitting instructions are given in the Installation and Maintenance Instructions supplied with the spare.



## Spare parts

### Spira-trol™ two-port control valve with bellows seal - Type D DN15 to DN100 - 1/2" to 4"

The spare parts available are shown in solid outline. Parts drawn in a grey line are not supplied as spares.

**Note:** When placing an order for spare parts please specify clearly the full product description as found on the label of the valve body, as this will ensure that the correct spare parts are supplied.

#### Available spares - K series

<b>Actuator clamping nut</b>		<b>A</b>
<b>Gasket set</b>	(Bellows sealed)	<b>B, G</b>
<b>Stem seal kit</b>	<b>Graphite</b> secondary seal and gasket set	<b>C3</b>
	<b>*Equal percentage trim</b> (No gaskets supplied)	<b>D6, E</b>
<b>Plug stem and seat kit</b>	<b>Fast opening trim</b> (No gaskets supplied)	<b>D7, E</b>
	<b>Linear trim</b> (No gaskets supplied)	<b>D8, E</b>
<b>Bellows seal assembly</b>		<b>F</b>
<b>PTFE soft seat seal</b>		<b>H</b>

\* Specify if reduced trim.

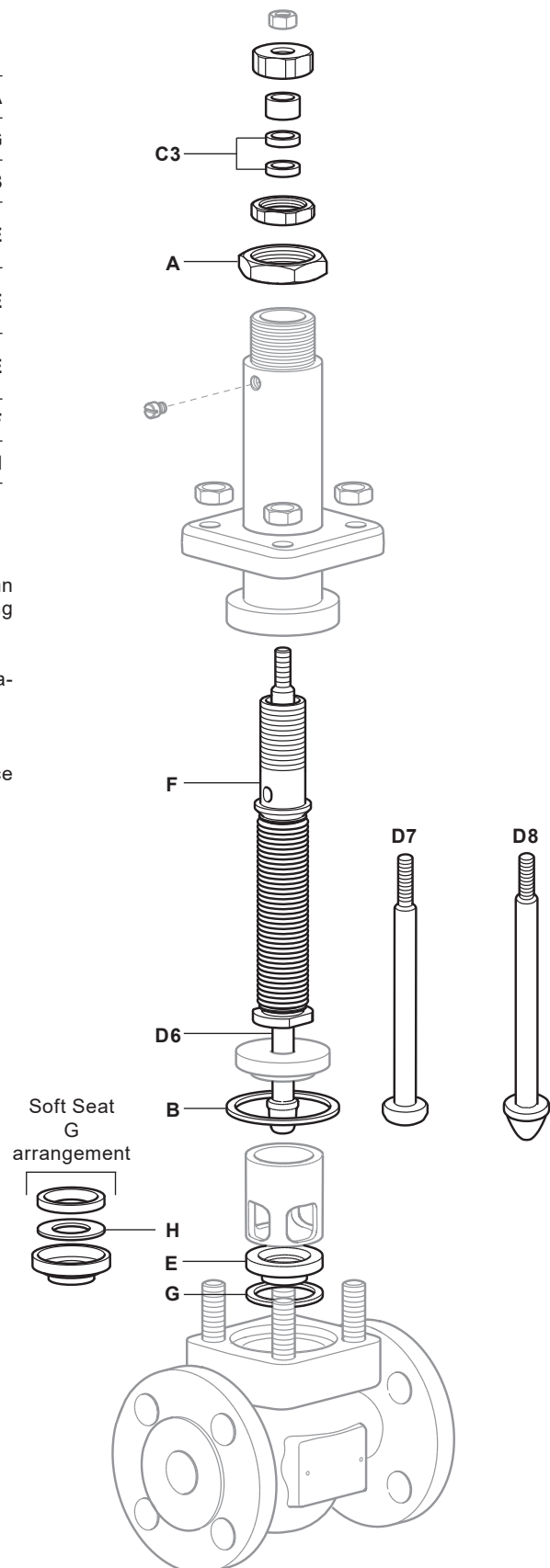
#### How to order spares

Always order spares by using the description given in the column headed 'Available spares', and state the size and type of valve including the full product description of the product.

**Example:** 1 - Graphite stem seal kit for a Spirax Sarco DN25 Spira-trol™ two-port KE43 DTSUSS.2 Kv 10 control valve.

#### How to fit spares

Full fitting instructions are given in the Installation and Maintenance Instructions supplied with the spare.



## Spira-trol™ selection guide:

<b>Valve size</b>	EN standard = DN15, DN20, DN25, DN32, DN40, DN50, DN65, DN80 and DN100	<b>DN25</b>
<b>Valve series</b>	K = K series 2-port control valve L = L series 2-port control valve	<b>K</b>
<b>Valve characteristic</b>	E = Equal percentage F = Fast opening L = Linear	<b>E</b>
<b>Flange type</b>	Blank = EN (PN)	<b>Blank</b>
<b>Flow</b>	Blank = under T = over	<b>Blank</b>
<b>Body material</b>	3 = Cast iron 4 = Carbon steel 6 = Stainless steel 7 = SG iron	<b>4</b>
<b>Connections</b>	1 = Screwed 3 = Flanged	<b>3</b>
<b>Stem sealing</b>	D = Bellows/graphite secondary seals H = Graphite N = PTFE with Nitronic bush - DN15 to DN50 only P = PTFE V = PTFE for vacuum service	<b>P</b>
<b>Seating</b>	C = Steam-Tight Reversible PEEK seat G = PTFE soft seat P = Full PEEK S = 316L stainless steel T = 431 stainless steel W = 316L with stellite™ 6 facing	<b>T</b>
<b>Type of trim</b>	A1 = 1 stage anti-cavitation A2 = 2 stage anti-cavitation P1 = 1 stage low noise cage P2 = 2 stage low noise cage P3 = 3 stage low noise cage S = Standard trim	<b>S</b>
<b>Trim balancing</b>	B = Balanced (not available with seating option C) U = Unbalanced	<b>U</b>
<b>Bonnet type</b>	E = Extended (Only available for K Series) S = Standard	<b>S</b>
<b>Bolting</b>	H = High temperature S = Standard	<b>S</b>
<b>Series</b>	2 = .2	<b>.2</b>
<b>Kvs</b>	To be specified	<b>Kv 16</b>
<b>Connection type</b>	To be specified	<b>Flanged PN40</b>

### Selection example:

DN32	-	K	E	4	3	P	T	S	U	S	S		.2	-	Kv 16	-	Flanged PN40
------	---	---	---	---	---	---	---	---	---	---	---	--	----	---	-------	---	--------------

### How to order

**Example:** 1 off Spirax Sarco Spira-trol™ DN32 KE43PTSUSS.2 Kv 16 two-port control valve having flanged PN40 connections.