

# 1-PIECE SCREWED BALL VALVE - DOUBLE ACTING



## Application

- Water Distribution Pipes
- Industrial Cleaning Machines
- Sterilizers, Boilers
- Air conditioners, Water Filters
- Medical equipments, Vacuum packing

## Specification

Valve Size	10A (3/8")	15A (1/2")	20A (3/4")	25A (1")	32A (1-1/4")	40A (1-1/2")	50A (2")
Actuator Model	ASR40	ASR60	ASR80	ASR95	ASR105	ASR120	ASR150
Actuator Type	Double Acting						
Operating Media	Compressed Dry Air						
Operating Pressure	4 ~ 7kg/cm <sup>2</sup>						
Rotating Angle	90° ± 5°						
Fluid Temperature	-20°C ~ 80°C						
Rating	1000psi						
Body Material	A351-CF8 / Body			A351-CF8 / Ball		PTFE / Seat	
Accessory	Solenoid Valve, Limit Switch Box, Air Filter Regulator, E/P Positioner						

## Specification

Valve Size	10A (3/8")	15A (1/2")	20A (3/4")	25A (1")	32A (1-1/4")	40A (1-1/2")	50A (2")
Actuator Model	ASR40	ASR60	ASR80	ASR95	ASR105	ASR120	ASR150
Actuator Type	Single Acting						
Operating Media	Compressed Dry Air						
Operating Pressure	4.5 ~ 7kg/cm <sup>2</sup>						
Rotating Angle	90° ± 5°						
Fluid Temperature	-20°C ~ 80°C						
Rating	1000psi						
Body Material	A351-CF8 / Body			A351-CF8 / Ball		PTFE / Seat	
Accessory	Solenoid Valve, Limit Switch Box, Air Filter Regulator, E/P Positioner						

• This is subject to change.

# 1-PIECE SCREWED BALL VALVE - SINGLE ACTING



## Application

- Water Distribution Pipes
- Industrial Cleaning Machines
- Sterilizers, Boilers
- Air conditioners, Water Filters
- Medical equipments, Vacuum packing

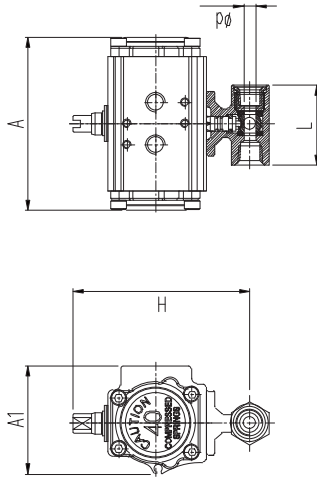
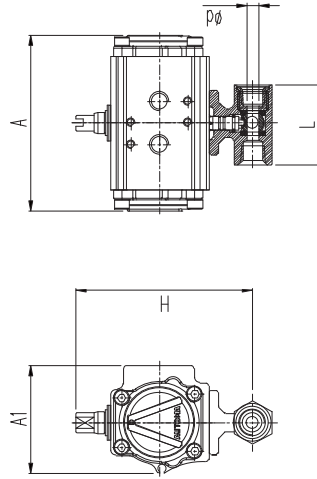
## Specification

Valve Size	10A (3/8")	15A (1/2")	20A (3/4")	25A (1")	32A (1-1/4")	40A (1-1/2")	50A (2")
Actuator Model	ASR40	ASR60	ASR80	ASR95	ASR105	ASR120	ASR150
Actuator Type	Double Acting						
Operating Media	Compressed Dry Air						
Operating Pressure	4 ~ 7kg/cm <sup>2</sup>						
Rotating Angle	90° ± 5°						
Fluid Temperature	-20°C ~ 80°C						
Rating	1000psi						
Body Material	A351-CF8 / Body			A351-CF8 / Ball		PTFE / Seat	
Accessory	Solenoid Valve, Limit Switch Box, Air Filter Regulator, E/P Positioner						

## Specification

Valve Size	10A (3/8")	15A (1/2")	20A (3/4")	25A (1")	32A (1-1/4")	40A (1-1/2")	50A (2")
Actuator Model	ASR40	ASR60	ASR80	ASR95	ASR105	ASR120	ASR150
Actuator Type	Single Acting						
Operating Media	Compressed Dry Air						
Operating Pressure	4.5 ~ 7kg/cm <sup>2</sup>						
Rotating Angle	90° ± 5°						
Fluid Temperature	-20°C ~ 80°C						
Rating	1000psi						
Body Material	A351-CF8 / Body			A351-CF8 / Ball		PTFE / Seat	
Accessory	Solenoid Valve, Limit Switch Box, Air Filter Regulator, E/P Positioner						

• This is subject to change.



## Dimension

Model	Size		A	A1	H	L	Ød
	mm	Inch					
ADR40-10S1	10A	3/8"	96	63	110	45	7
ADR40-15S1	15A	1/2"	96	63	111	55	9.2
ADR40-20S1	20A	3/4"	96	63	117	60	12.5
ADR40-25S1	25A	1"	96	63	120	73	15
ADR40-32S1	32A	1-1/4"	96	63	123	78	20
ADR65-40S1	40A	1-1/2"	131	89	159	89	25
ADR65-50S1	50A	2"	131	89	167	100	32

• END CONNECTION: PT SCREW (mm)

## Dimension

Model	Size		A	A1	H	L	Ød
	mm	Inch					
ASR40-10S1	10A	3/8"	96	63	110	45	7
ASR60-15S1	15A	1/2"	133	75	126	55	9.2
ASR60-20S1	20A	3/4"	133	75	132	60	12.5
ASR60-25S1	25A	1"	133	75	135	73	15
ASR65-32S1	32A	1-1/4"	154	89	155	78	20
ASR65-40S1	40A	1-1/2"	154	89	159	89	25
ASR60-50S1	50A	2"	220	101	166	100	32

• END CONNECTION: PT SCREW (mm)