

PLICSCOM

Pluggable display and adjustment module for plics® sensors



Application area

The pluggable display and adjustment module PLICSCOM is used for measured value indication, adjustment, and diagnostics for the following instruments of the VEGA plics® family:

- VEGAPULS series 60
- VEGAFLEX series 60 and 80
- VEGASON series 60
- VEGACAL series 60
- PROTRAC
- VEGABAR series 50, 60 and 80
- VEGADIF 65
- VEGADIS 61, 81
- VEGADIS 82

Your benefit

- Reliable adjustment of the sensors through clear text indication and graphic support
- Minimum time expenditure through reliable function and clear, graphic-capable LC display with 4-key operation and integrated lighting.
- Convenient, wireless sensor adjustment via smartphone, tablet or PC
- Since it is easy to detach, it can also be used on other sensors

Function

The display and adjustment module is mounted in the respective sensor housing. On instruments with double chamber housing, the display and adjustment module can be mounted either in the electronics compartment or in the terminal compartment.

The electrical connection is carried out via spring contacts in the sensor and contact surfaces in the display and adjustment module. After mounting, the sensor and display and adjustment module are splash-water protected even without housing lid.

Power supply directly through the respective sensor.

Optionally, the PLICSCOM is available with a Bluetooth function.

Technical data

General data

Materials

- Housing ABS
- Inspection window Polyester foil

Weight approx. 0.35 kg (0.772 lbs)

Display and adjustment module

Display element Display with backlight

Measured value indication

- Number of digits 5
- Size of digits W x H = 7 x 13 mm

Adjustment elements

- 4 keys [OK], [->], [+], [ESC]
- Switch Bluetooth On/Off

Bluetooth interface

- Standard Bluetooth Smart 4.0
- Effective range 25 m (82.02 ft)

Ambient conditions

- Ambient temperature -20 ... +70 °C (-4 ... +158 °F)
- Storage and transport temperature -40 ... +80 °C (-40 ... +176 °F)

Electrical protective measures

Protection rating

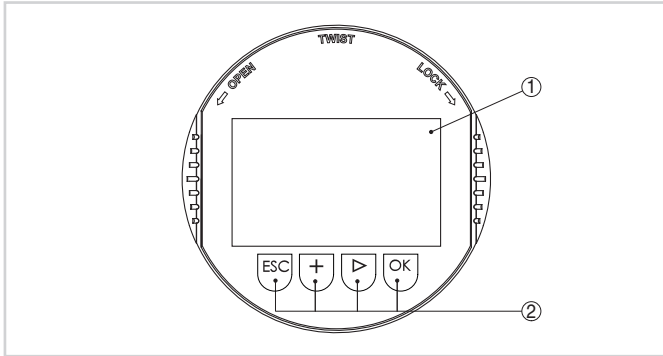
- unassembled IP 20
- mounted in the housing without lid IP 40

Approvals

You can find detailed information on the existing approvals in the "configurator" on our homepage at www.vega.com/configurator.

Adjustment

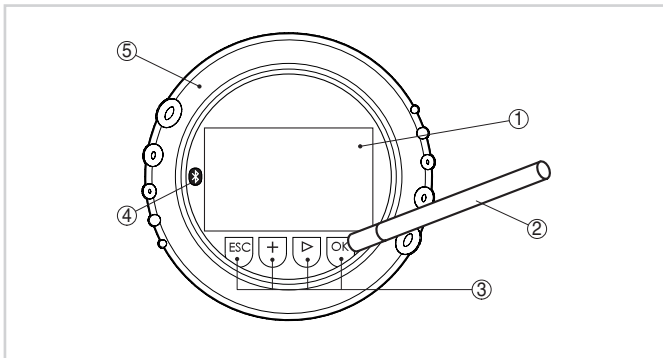
The adjustment of the sensor is menu-controlled via four keys on the front and an LC display.



Display and adjustment elements

- 1 LC display
- 2 Adjustment keys

The Bluetooth version of the PLICSCOM is optionally adjusted by means of the magnetic pen. This pin pushes the four keys of PLICSCOM through the closed lid of the sensor housing.



Display and adjustment elements - Adjustment via magnetic pen

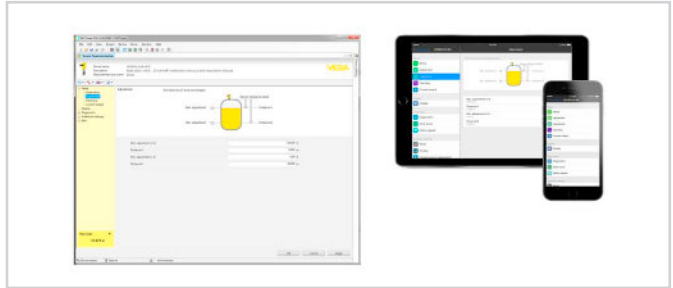
- 1 LC display
- 2 Magnetic pen
- 3 Adjustment keys
- 4 Bluetooth symbol
- 5 Lid with inspection window

The Bluetooth version of PLICSCOM enables a wireless connection to standard adjustment units. This can be smartphones/tablets with iOS or Android operating system or PCs with PACTware and Bluetooth USB adapter.



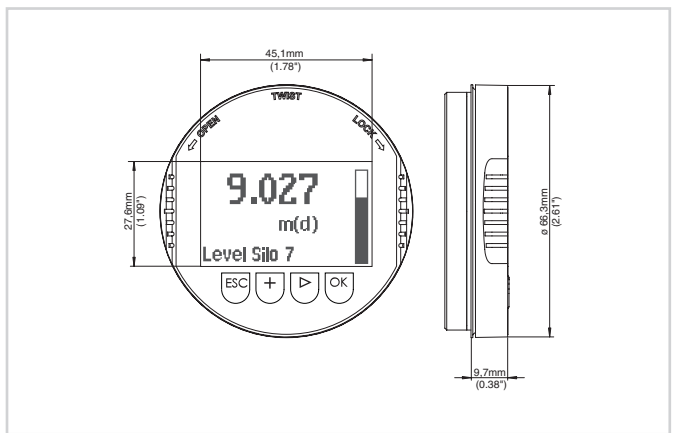
Wireless connection to standard operating devices

Adjustment is hence carried out via a free-of-charge app from the Apple App Store or the Google Play Store or the adjustment software PACTware and respective DTM.



Adjustment via PACTware or app

Dimensions



Dimensions of display and adjustment module PLICSCOM

Information

You can find further information about the VEGA product line on www.vega.com.

In the download section at www.vega.com/downloads you'll find operating instructions, product information, brochures, approval documents, instrument drawings and much, much more.

There, you will also find GSD and EDD files for Profibus PA systems as well as DD and CFF files for Foundation Fieldbus systems.

Contact

You can find the VEGA agency serving your area on our homepage www.vega.com.