

PLICSMOBILE B81

External battery or accumulator unit for PLICSMOBILE T81



Application area

External battery or accumulator unit for power supply of PLICSMOBILE and the connected HART sensors. Suitable for power supply and capacitance monitoring in conjunction with the external radio unit PLICSMOBILE. Also suitable for use in hazardous areas.

Your benefit

- Economical solution for autarkic operation of PLICSMOBILE through battery or accumulator power supply
- Increased accumulator lifetime through integrated charging connection and connection of external solar modules
- Simple handling by using standard batteries or accumulators (type D)

Function

The PLICSMOBILE B81 powers the PLICSMOBILE T81 and the connected HART sensors if no stationary voltage supply is available. It can be either equipped with batteries as or with accumulators.

If the PLICSMOBILE B81 is equipped with accumulators, also the solar panel PLICSMOBILE S81 is used.

Information on the battery/accumulator status are sent via the data cable to PLICSMOBILE T81.

Technical data

Power supply PLICSMOBILE B81

Necessary power supply for charging NiMH accumulators 20 ... 32 V DC

Output voltage PLICSMOBILE B81

When using NiMH rechargeable batteries 20 V DC

When using lithium batteries 14.4 V DC

Ambient conditions PLICSMOBILE B81

Ambient temperature NiMH accumulator

– Ambient temperature (discharging) -20... +60 °C (-4 ... +140 °F)

– Charging temperature 0 ... +45 °C (+32 ... +113 °F)

Ambient temperature Lithium battery

– Ambient temperature -40... +85 °C (-40 ... +185 °F)

NiMH accumulator for PLICSMOBILE B81

Accumulator type 4x NiMH series D (Mono)

Manufacturer Ansmann

Capacitance 10 Ah

Nominal voltage 1.2 V DC

Lithium battery for PLICSMOBILE B81

Battery type 4x Lithium battery series D (Mono)

Manufacturer/Type Saft LSH 20

Capacitance 13 Ah

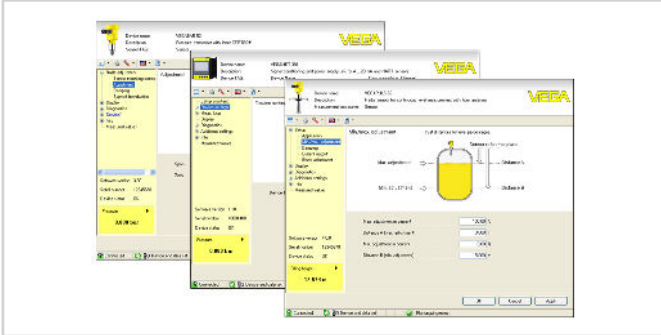
Nominal voltage 3.6 V DC

Approvals

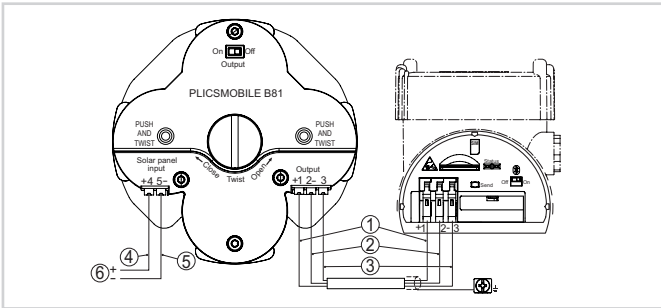
You can find detailed information on the existing approvals with the appropriate product on our homepage.

Adjustment

There are not adjustment possibilities on PLICSMOBILE B81. The adjustment of PLICSMOBILE T81 is carried out via a PC with PACTware and the corresponding DTM or via smartphone/tablet with the VEGA Tools app. The connection is made via the Bluetooth interface integrated in PLICSMOBILE T81.



Electrical connection

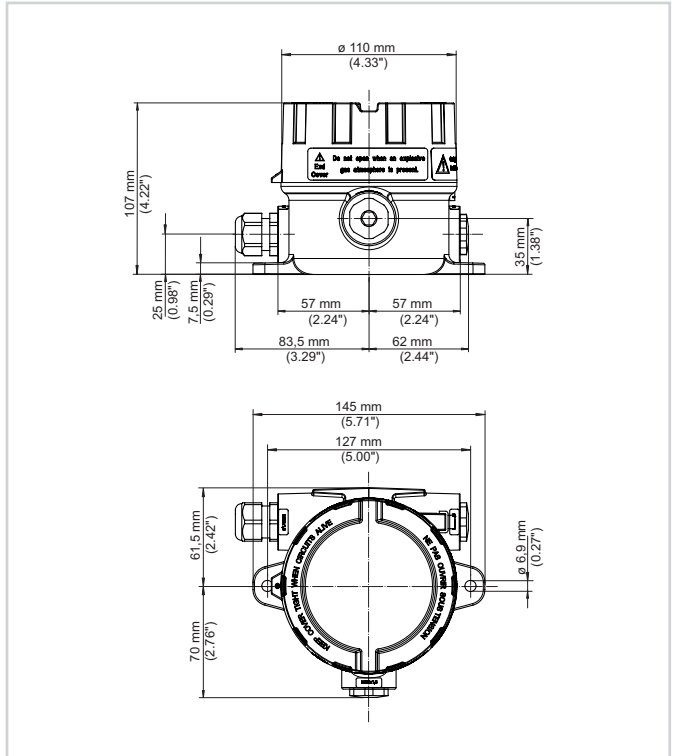


Connection of the battery and the solar panel

- 1 *Brown cable (+) for sensor power supply*
- 2 *Blue cable (-) for sensor power supply*
- 3 *White cable for communication PLICSMOBILE T81 - B81*
- 4 *Brown cable (+) for accumulator charging via solar panel*
- 5 *Blue cable (-) for accumulator charging via solar panel*
- 6 *Power supply from the solar panel*

You can find details on electrical connection in the instrument operating instructions on our homepage at www.vega.com/downloads.

Dimensions



Dimensions PLICSMOBILE B81 with Aluminium housing

Information

You can find further information on the VEGA product line on our homepage.

In the download section on our homepage you'll find free operating instructions, product information, brochures, approval documents, instrument drawings and much, much more.

Contact

You can find your personal contact person at VEGA on our homepage www.vega.com and "Contact".