





Cable plug, form A according to DIN EN 175301 - 803

- Versions with protective circuits with or without LED
- Simple connection and safe contacting
- Approval UR and CSA (depending on variant)
- Available with and without cable



Product variants described in the data sheet may differ from the product presentation and description.

Can be combined with

	Type 6013 Plunger valve 2/2-way direct-acting	▶
	Type 0330 Direct-acting 2/2 or 3/2-way pivoted armature valve	▶
	Type 6213 Servo-assisted 2/2-way diaphragm valve	▶

Type description

Plug for the connection of electrical components according to DIN EN 175301 - 803 Form A. Type 2518 offers easy connection of lines as well as reliable contacting. A wide range of protective circuits with or without LED are available.

Table of contents

1. General technical data	3
<hr/>	
2. Approvals and conformities	4
2.1. General notes	4
2.2. Conformity	4
2.3. Standards	4
2.4. North America (USA/Canada)	4
2.5. Others	4
Fire protection on railway vehicles	4
<hr/>	
3. Materials	5
3.1. Bürkert resistApp	5
3.2. Version with UR-Approval, field attachable	5
3.3. Version without UR-Approval, field attachable	6
3.4. Version with cable	6
3.5. Version with M12 connection	7
<hr/>	
4. Dimensions	7
4.1. Cable plug without cable, field attachable.....	7
4.2. Cable plug with cable, moulded.....	8
4.3. Cable plug with M12 connection.....	9
<hr/>	
5. Device/Process connections	10
5.1. Electrical connections	10
Circular plug M12, 5-pin.....	10
<hr/>	
6. Performance specifications	10
6.1. Derating diagram	10
Versions without wiring, 2-pin and 3-pin , field attachable	10
Versions without wiring, 2-pin and 3-pin, moulded	10
Versions with LED or varistor or LED and varistor, field attachable.....	11
Versions with LED or varistor or LED and varistor, moulded.....	11
Versions with bridge rectifier and varistor, with and without LED, field attachable	11
Versions with bridge rectifier and varistor, with and without LED, moulded	12
Versions with pin protection diode and free-wheeling diode, with and without LED, field attachable	12
Versions with pin protection diode and free-wheeling diode, with and without LED, moulded	12
<hr/>	
7. Ordering information	13
7.1. Bürkert eShop	13
7.2. Bürkert product filter.....	13
7.3. Ordering chart	13
Cable plug without cable, field attachable.....	13
Cable plug with cable, moulded.....	14
Cable plug with M12 connection.....	15
7.4. Ordering chart accessories.....	16
Sealing kits	16

1. General technical data

Product properties	Field attachable cable plug (without cable)	Moulded cable plug (with cable, M12)
Dimensions	Further information can be found in chapter "4. Dimensions" on page 7.	
Material		
Seal	NBR (Standard) EPDM and silicone can be ordered as a set	TPU, moulded
Body	Polyamide	–
Cable	–	PUR (M12 without cable)
Contacts	Brass	Brass
Operating display	Yellow LED, if available	Yellow LED, if available
Cable outlet	Can be rotated through 4×90°	On or opposite PE
Cable gland	M16×1.5	–
Number of pins	See "7.3. Ordering chart" on page 13	See "7.3. Ordering chart" on page 13
Transition resistance	≤ 10 mΩ Standard	≤ 10 mΩ Standard
Electrical data		
Nominal voltage	Depends on the version Further information can be found in chapter "7. Ordering information" on page 13.	Depends on the version Further information can be found in chapter "7. Ordering information" on page 13.
Medium data		
Continuous maximum temperature¹⁾		
Cable plug	- 40 °C...+ 125 °C	- 25 °C...+ 85 °C (M12: - 25 °C...+ 80 °C)
Seal NBR	- 30 °C...+ 90 °C	–
Seal EPDM	- 40 °C...+ 125 °C	–
Seal silicone	- 55 °C...+ 140 °C	–
Process/Port connection & communication		
Suitable cables	Ø 6.0...Ø 8.0 mm with UR approval Ø 4.5...Ø 10.0 mm without UR approval	–
Connection type	Screw terminal	–
Conductor size	0.25 mm ² ...1.5 mm ²	0.75 mm ² (M12 without cable)
Electrical connection	According to DIN EN 175301 - 803 form A	According to DIN EN 175301 - 803 form A
Plug cycles	Max. 50	Max. 50
Approvals and certificates		
Protection class	IP65 / IP67 (see "7.3. Ordering chart" on page 13)	IP65 / IP67
North America (USA/Canada)	Further information can be found in chapter "2.4. North America (USA/Canada)" on page 4.	
Others	Further information can be found in chapter "2.5. Others" on page 4.	

1.) Observe derating, see ["6.1. Derating diagram" on page 10.](#)

2. Approvals and conformities

2.1. General notes

- The approvals and conformities listed below must be stated when making enquiries. This is the only way to ensure that the product complies with all required specifications.
- Not all available versions can be supplied with the below mentioned approvals or conformities.

2.2. Conformity

In accordance with the Declaration of Conformity, the product is compliant with the EU Directives.

2.3. Standards

The applied standards which are used to demonstrate compliance with the EU Directives are listed in the EU-Type Examination Certificate and/or the EU Declaration of Conformity.

2.4. North America (USA/Canada)

Approval	Description
	Optional: UL Recognized for the USA and Canada (E315587) The product version without cable is UL Recognized for the USA and Canada according to: <ul style="list-style-type: none"> • UL2238 (Cable assemblies and fittings for industrial control and signal distribution) • CAN/CSA-C22.2 No. 182.3 - 16

2.5. Others

Fire protection on railway vehicles

Approval	Description
DIN EN 45545	Optional: Fire protection on railway vehicles in accordance with DIN EN 45545 applicable parts 2 and 5: requirements for fire behaviour of materials and components The products comply with the fire protection requirements in accordance with applicable parts 2 and 5 of DIN EN 45545 for use in the interior of railway vehicles for operating classes 1 - 3 (OC1 - 3) in conjunction with hazard levels 1 - 2 (HL1 - 2) in accordance with the manufacturer's declaration.

3. Materials

3.1. Bürkert resistApp



Bürkert resistApp – Chemical resistance chart

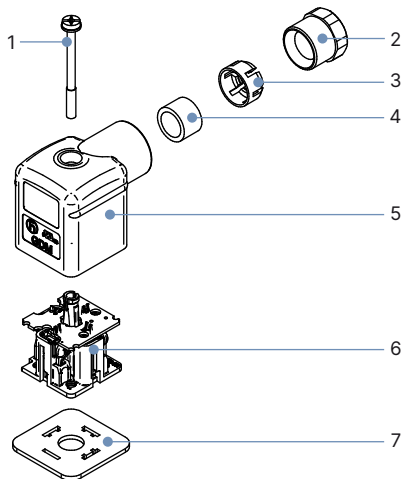
You want to ensure the reliability and durability of the materials in your individual application case? Verify your combination of media and materials on our website or in our resistApp.

[Start chemical resistance check](#)

3.2. Version with UR-Approval, field attachable

Available circuitry:

- Without circuitry
- With varistor
- With bridging rectifier and varistor
- With pin protection diode and free wheeling diode



No.	Element	Material
1	Central screw	Stainless steel
2	Pressure screw	Polyamide
3	Clamping ring	–
4	Seal	–
5	Cover	Polyamide
6	Contact holder	Polyamide
7	Seal	NBR

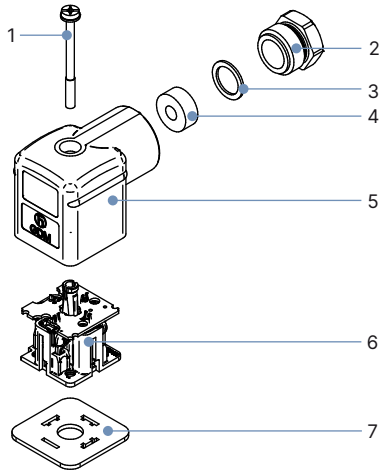
3.3. Version without UR-Approval, field attachable

Available circuitry:

- Without circuitry (only in PU 200 pieces see "Cable plug without cable, field attachable" on page 13)
- With LED
- With LED and varistor
- With LED, bridging rectifier and varistor
- With pin protection diode, free wheeling diode and LED

Note:

The versions with cables do not possess a UR approval.



No.	Element	Material
1	Central screw	Stainless steel
2	Pressure screw	Polyamide
3	Pressure ring	-
4	Seal	-
5	Cover	Polyamide
6	Contact holder	Polyamide
7	Seal	NBR

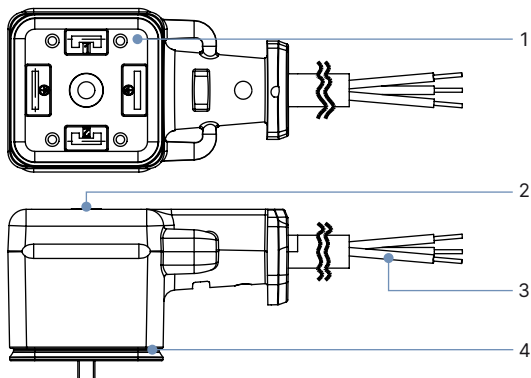
3.4. Version with cable

Available circuitry:

- Without circuitry
- With LED
- With varistor
- With bridging rectifier and varistor
- With LED and varistor
- With LED, bridging rectifier and varistor
- With pin protection diode and free wheeling diode
- With pin protection diode, free wheeling diode and LED

Note:

The versions with cables do not possess a UR approval.



No.	Element	Material
1	Contact holder	PBT GF
2	Central screw	V2 A
3	Cable	PUR
4	Seal moulded on	TPU

DTS 1000386347 EN Version: G Status: RL (released | freigegeben | valide) printed: 18.12.2024

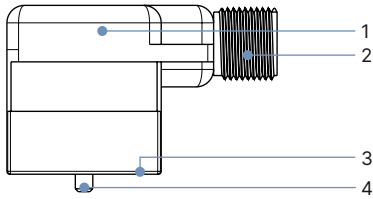
3.5. Version with M12 connection

Available circuitry:

- With LED and varistor

Note:

The versions with M12 connection do not possess a UR approval.



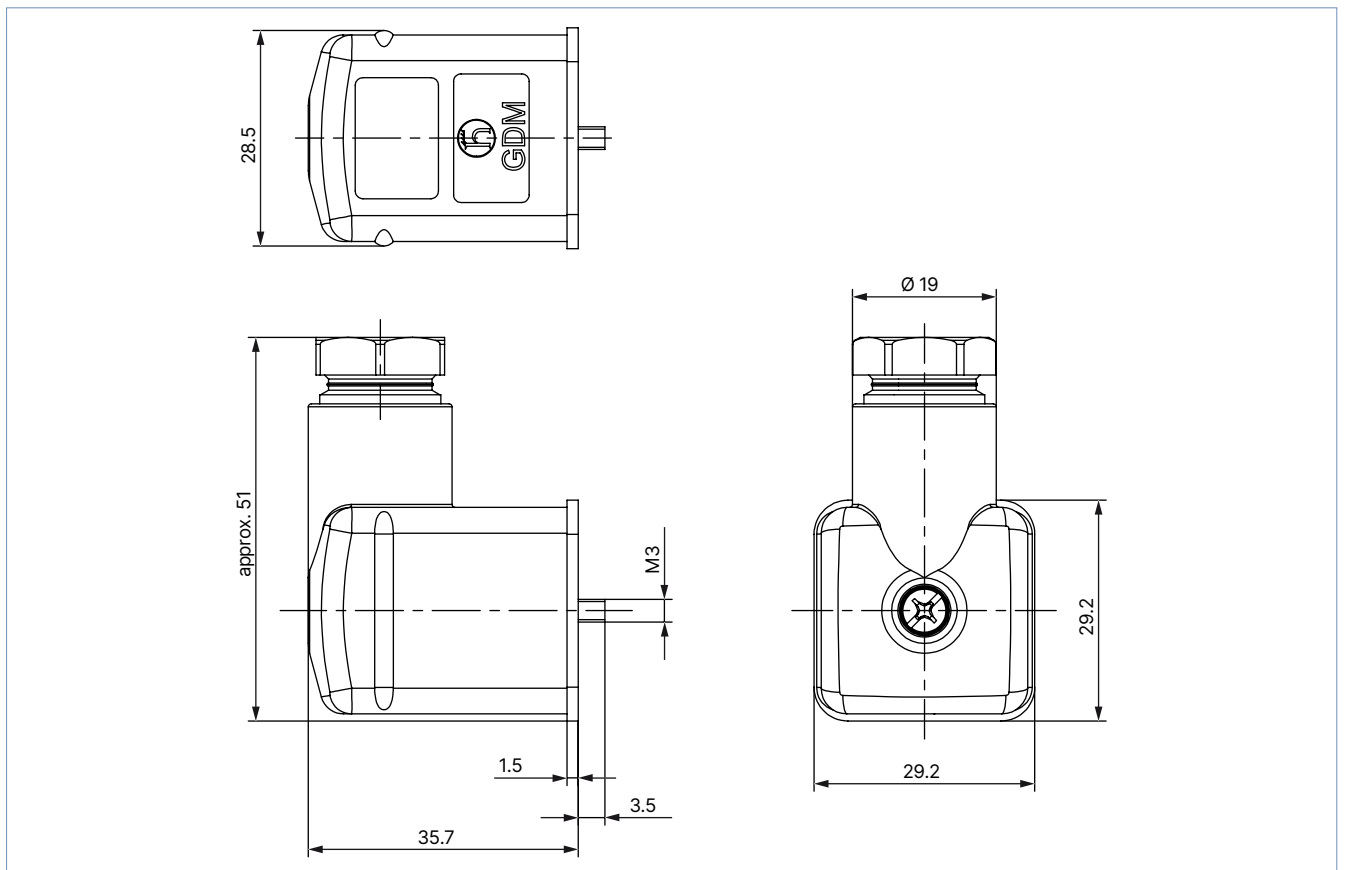
No.	Element	Material
1	Contact holder	PBT
2	M12 connection	CuZn, nickel-plated
3	Seal moulded on	TPU
4	Central screw	V2 A

4. Dimensions

4.1. Cable plug without cable, field attachable

Note:

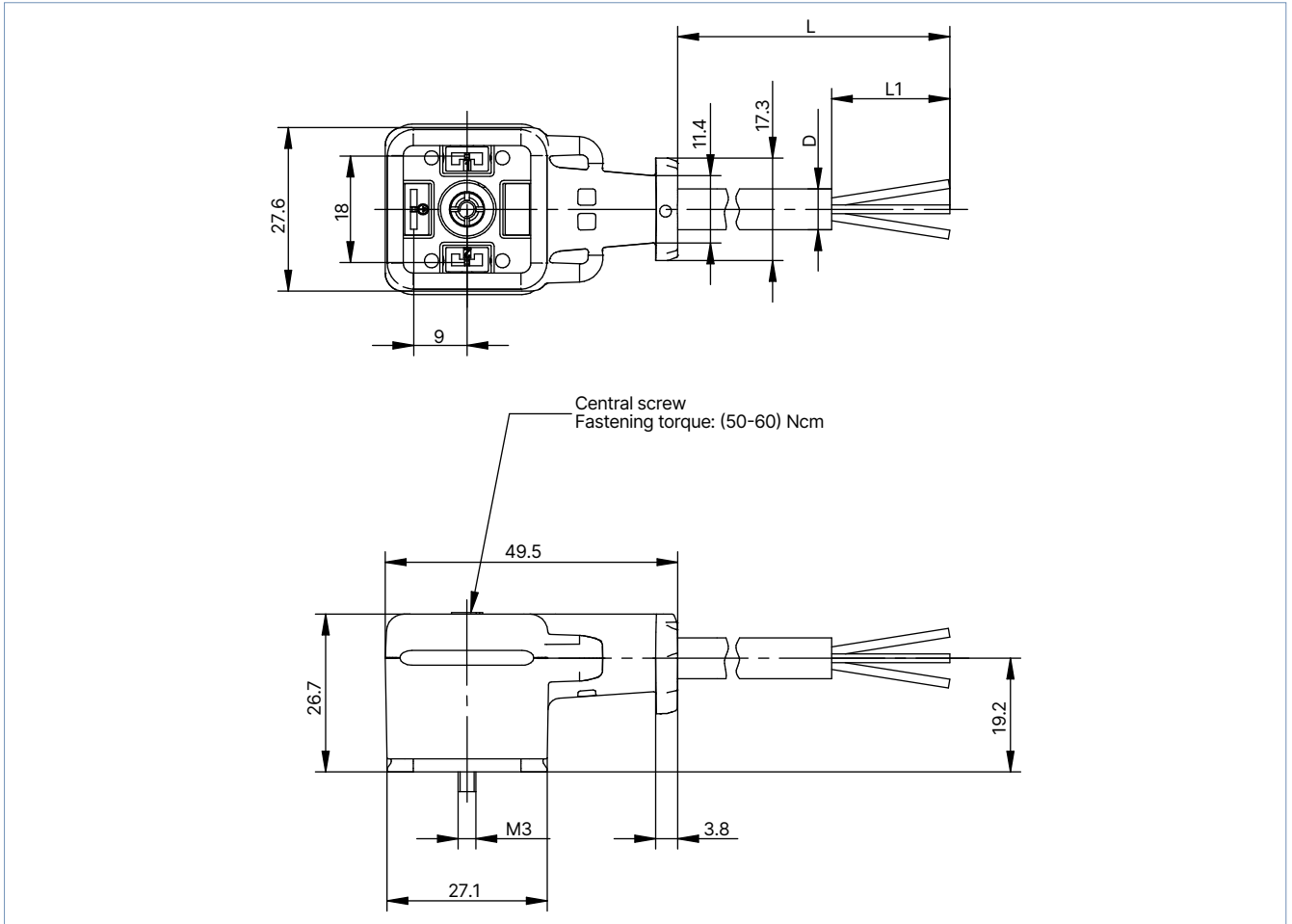
Dimensions in mm



4.2. Cable plug with cable, moulded

Note:

Dimensions in mm



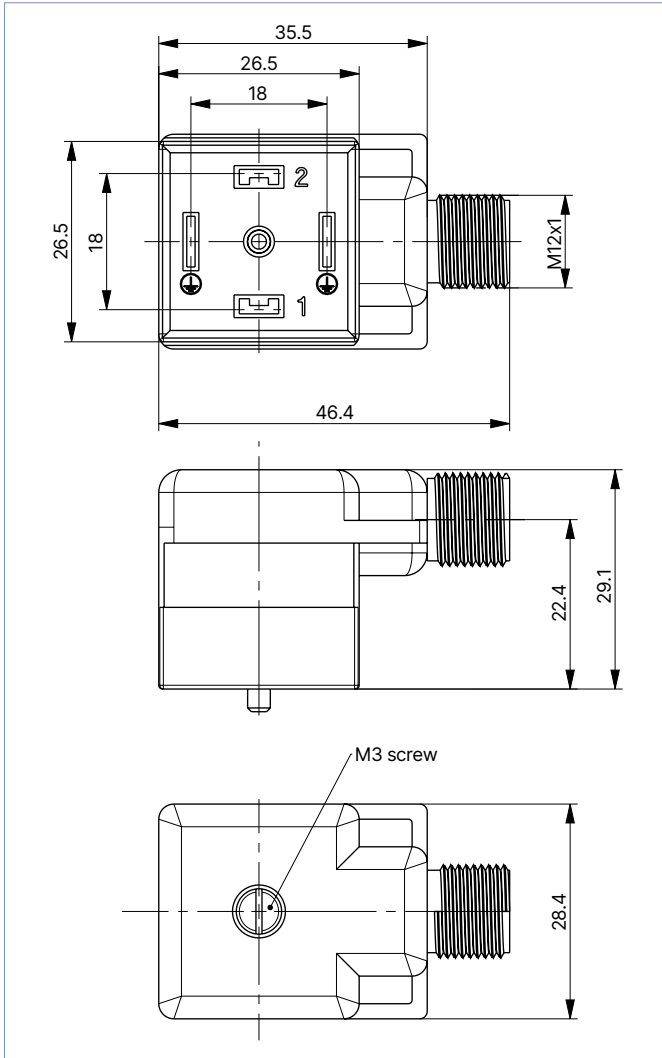
Note on the length tolerances:

Cable length prefabricated part		Stripping length
L	Tolerances of L	L1
< 1 m	-10/+ 20	60 ± 1
< 1...2 m	-20/+ 50	60 ± 1
> 2...5 m	-40/+ 70	60 ± 1
> 5...10 m	-90/+ 120	60 ± 1
> 10 m	-120/+ 140	60 ± 1

4.3. Cable plug with M12 connection

Note:

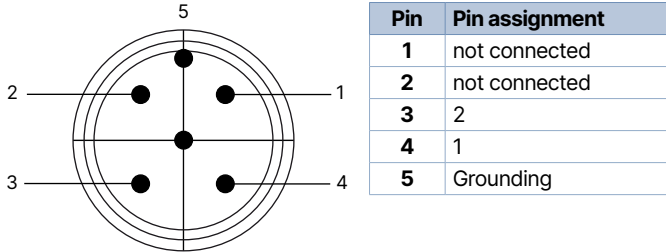
Dimensions in mm



5. Device/Process connections

5.1. Electrical connections

Circular plug M12, 5-pin

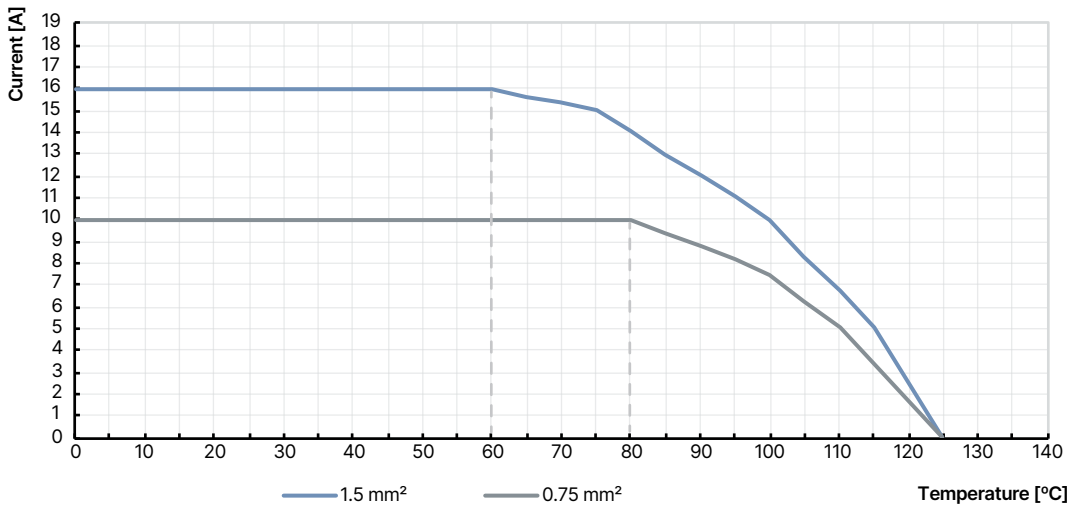


6. Performance specifications

6.1. Derating diagram

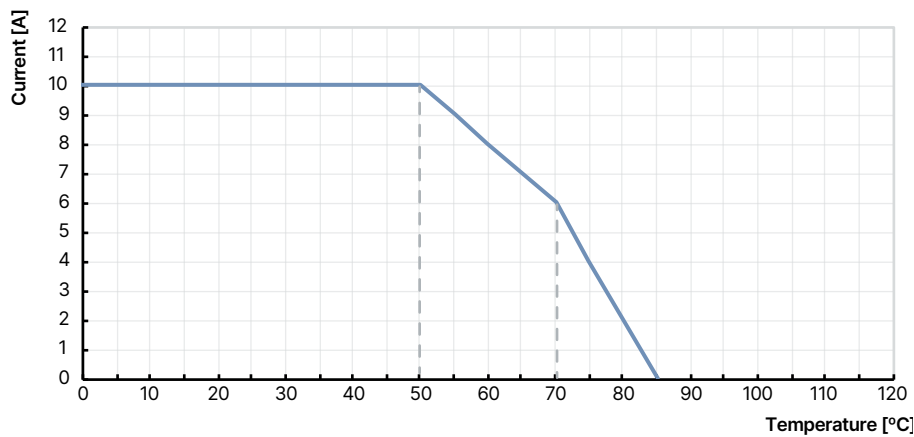
Versions without wiring, 2-pin and 3-pin, field attachable

Derating DIN EN 60512-5-2



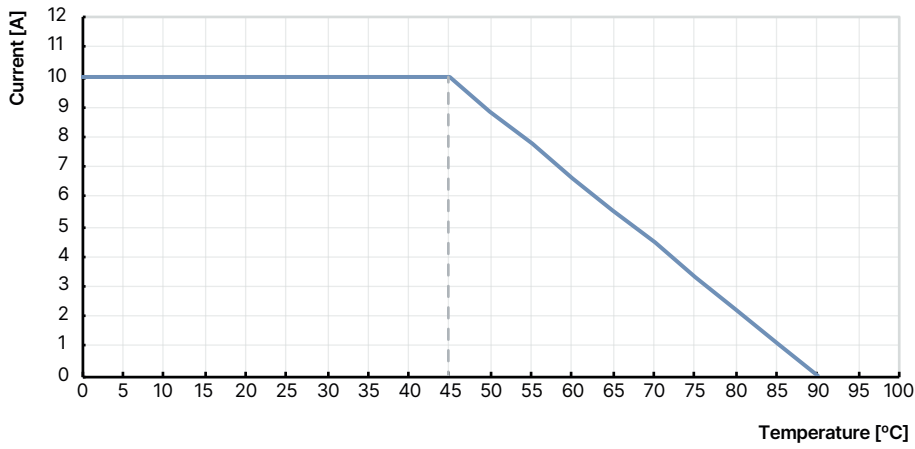
Versions without wiring, 2-pin and 3-pin, moulded

Derating DIN EN 60512-5-2



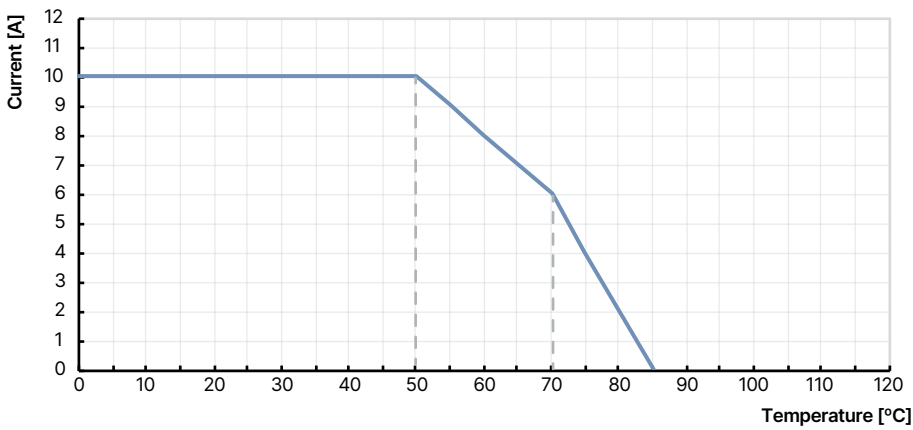
Versions with LED or varistor or LED and varistor, field attachable

Derating DIN EN 60512-5-2



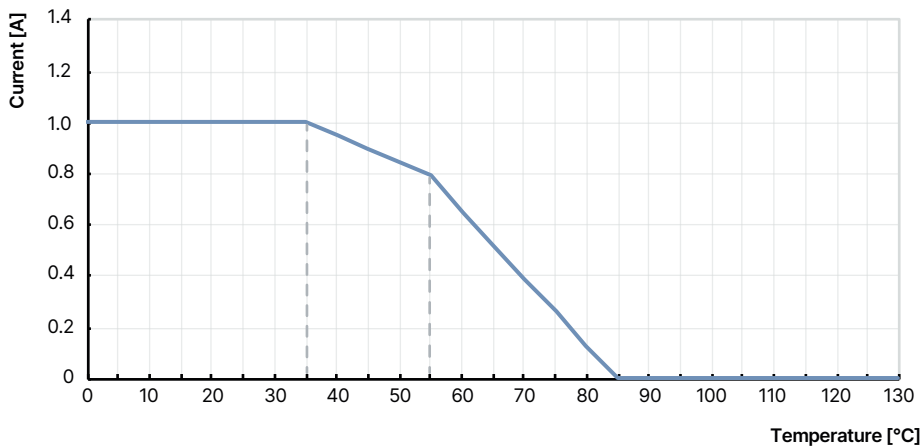
Versions with LED or varistor or LED and varistor, moulded

Derating DIN EN 60512-5-2



Versions with bridge rectifier and varistor, with and without LED, field attachable

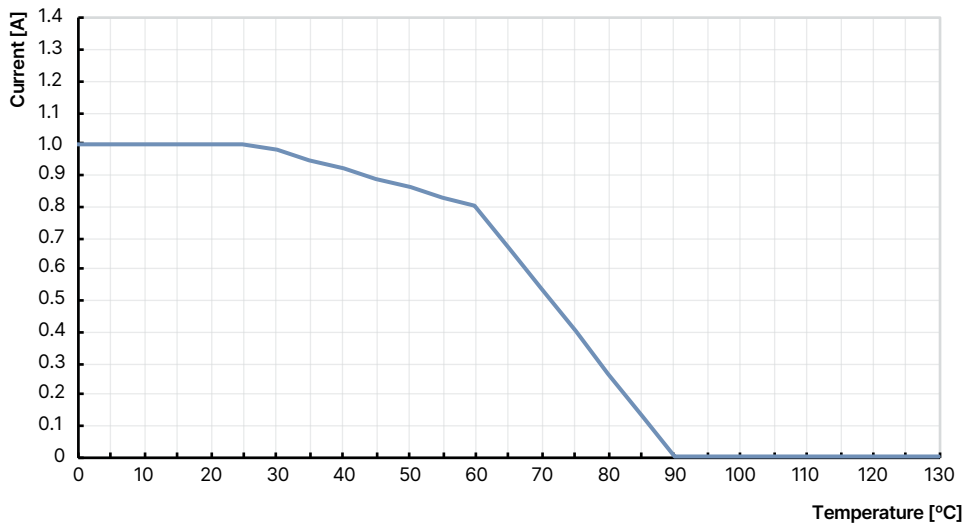
Derating DIN EN 60512-5-2



DTS 1000386347 EN Version: G Status: RL (released | freigegeben | validé) printed: 18.12.2024

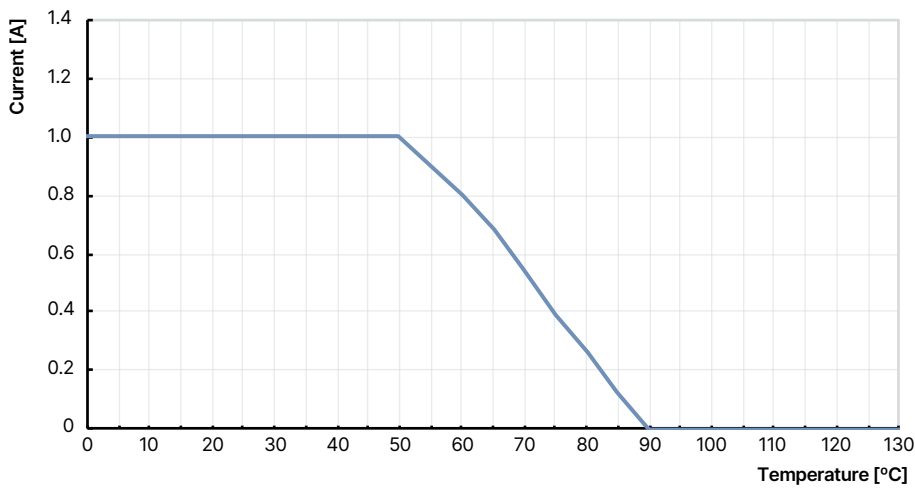
Versions with bridge rectifier and varistor, with and without LED, moulded

Derating DIN EN 60512-5-2



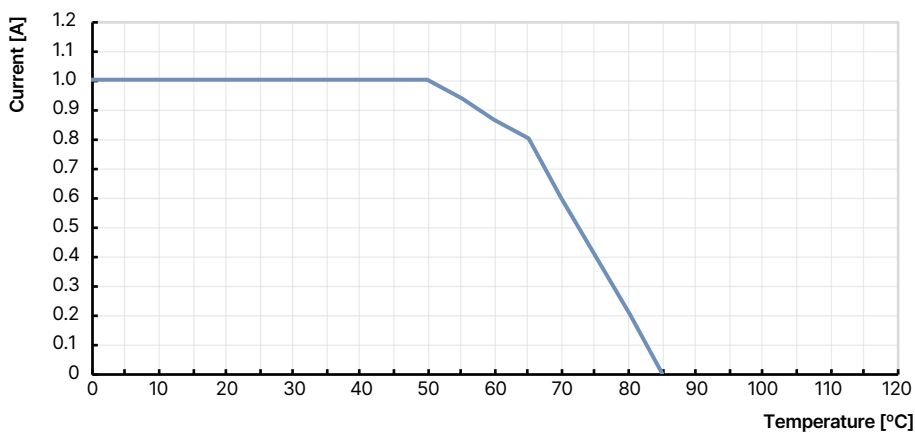
Versions with pin protection diode and free-wheeling diode, with and without LED, field attachable

Derating DIN EN 60512-5-2



Versions with pin protection diode and free-wheeling diode, with and without LED, moulded


Derating DIN EN 60512-5-2



DTS 1000386347 EN Version: G Status: RL (released | freigegeben | validé) printed: 18.12.2024

7. Ordering information

7.1. Bürkert eShop




Bürkert eShop – Easy ordering and quick delivery

You want to find your desired Bürkert product or spare part quickly and order directly? Our online shop is available for you 24/7. Sign up and enjoy all the benefits.

[Order online now](#)

7.2. Bürkert product filter



Bürkert product filter – Get quickly to the right product

You want to select products comfortably based on your technical requirements? Use the Bürkert product filter and find suitable articles for your application quickly and easily.

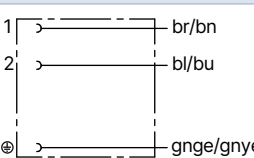
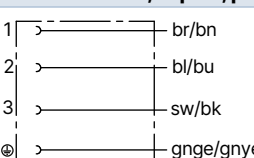
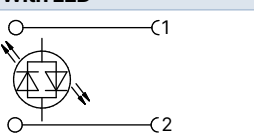
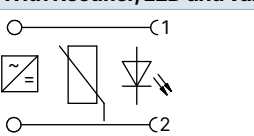
[Try out our product filter](#)

7.3. Ordering chart

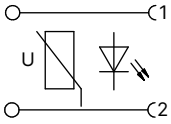
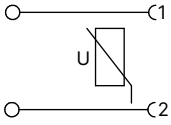
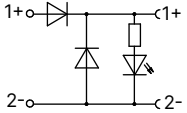
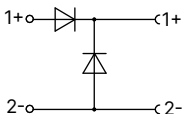
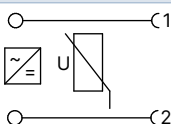
Cable plug without cable, field attachable

Note:

The delivery is made in a polythene bag with stainless steel screw and NBR seal.

Circuit diagram	Operating voltage [V/Hz]	Rated voltage [V/Hz]	Continuous current [A]	Number of pins without cable	Protection class without cable	Article no.
Without circuit						
	230 V AC/DC 300 V AC/DC (UL)	250 V (VDE) 300 V (UL)	10 A, (VDE, UL) 8 A, (CSA)	2+PE	IP65/IP67	314802 ¹⁾
	230 V AC/DC	250 V	10 A (VDE)	2+PE	IP65	314803 ²⁾
Without circuit, 3-pins, protective earth conductor						
	230 V AC/DC 300 V AC/DC (UL)	250 V (VDE) 300 V (UL)	10 A (VDE)	3+PE	IP65/IP67	315329 ¹⁾
With LED						
	24 V AC/DC	30 V	10 A	2+PE	IP65	314812 ³⁾
	120 V AC/DC	150 V	10 A	2+PE	IP65	315330 ³⁾
	230 V AC/DC	250 V	10 A	2+PE	IP65	315334 ³⁾
With Rectifier, LED and varistor						
	24 V AC/DC	30 V	1 A	2+PE	IP65	314816 ³⁾
	120 V AC/DC	150 V	1 A	2+PE	IP65	315338 ³⁾
	230 V AC/DC	250 V	1 A	2+PE	IP65	315342 ³⁾

DTS 1000386347 EN Version: G Status: RL (released | freigegeben | validé) printed: 18.12.2024

Circuit diagram	Operating voltage	Rated voltage	Continuous current	Number of pins without cable	Protection class without cable	Article no.		
	[V/Hz]	[V/Hz]	[A]					
With LED and varistor								
	24 V AC/DC	30 V	10 A	2+PE	IP65	314820 ¹⁾		
	120 V AC/DC	150 V	10 A	2+PE	IP65	315346 ¹⁾		
	230 V AC/DC	250 V	10 A	2+PE	IP65	314825 ¹⁾		
With varistor								
	24 V AC/DC	30 V	10 A	2+PE	IP65/IP67	314826 ¹⁾		
	230 V AC/DC	250 V	10 A	2+PE	IP65/IP67	315353 ¹⁾		
With pin protection, free wheeling diode and LED								
	24 V DC	30 V	1 A	2+PE	IP65	315357 ¹⁾		
With pin protection and free wheeling diode								
	230 V DC	250 V	1 A	2+PE	IP65/IP67	314830 ¹⁾		
With rectifier and varistor								
	230 V AC/DC	250 V	1 A	2+PE	IP65/IP67	314839 ⁴⁾		

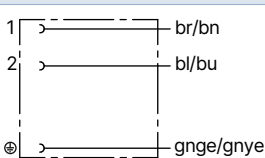

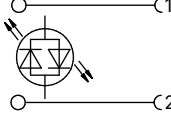
1.) cURus approval E315587

2.) Only available in 200 units as PU and with galvanised steel screw and NBR seal

Cable plug with cable, moulded

Note:

The delivery is made in a polythene bag with stainless steel screw.

Circuit diagram	Operating voltage [V/Hz]	Rated voltage [V/Hz]	Continuous current [A]	Number of pins with cable	Protection class with cable	Article no.		
						With 1 m cable	With 3 m cable	With 5 m cable
Without circuit								
	230 V AC/DC	250 V AC/DC	10 A	2 + 2PE	IP65/IP67	314806 ¹⁾	314807 ¹⁾	314808 ¹⁾
Without circuit, 3-pins, protective earth conductor								
	230 V AC/DC	250 V AC/DC	10 A	3+PE	IP65/IP67	314809 ¹⁾	314810 ¹⁾	314811 ¹⁾
With LED								
	24 V AC/DC	30 V	10 A	2 + 2PE	IP65/IP67	314813 ¹⁾	314814 ¹⁾	314815 ¹⁾
	120 V AC/DC	150 V	10 A	2 + 2PE	IP65/IP67	315331 ¹⁾	315332 ¹⁾	315333 ¹⁾
	230 V AC/DC	250 V	10 A	2 + 2PE	IP65/IP67	315335 ¹⁾	315336 ¹⁾	315337 ¹⁾

DTS 1000386347 EN Version: G Status: RL (released | freigegeben | validé) printed: 18.12.2024

Circuit diagram	Operating voltage [V/Hz]	Rated voltage [V/Hz]	Continuous current [A]	Number of pins with cable	Protection class with cable	Article no.		
						With 1 m cable	With 3 m cable	With 5 m cable
With Rectifier, LED and varistor								
	24 V AC/DC	30 V	1 A	2+PE	IP65/IP67	314817	314818	314819
	120 V AC/DC	150 V	1 A	2+PE	IP65/IP67	315339	315340	315341
	230 V AC/DC	250 V	1 A	2+PE	IP65/IP67	315343	315344	315345
With LED and varistor								
	24 V AC/DC	30 V	10 A	2 + 2PE	IP65/IP67	314821	314822	314824
	120 V AC/DC	150 V	10 A	2 + 2PE	IP65/IP67	315347	315348	315349
	230 V AC/DC	250 V	10 A	2 + 2PE	IP65/IP67	315350	315351	315352
With varistor								
	24 V AC/DC	30 V	10 A	2 + 2PE	IP65/IP67	314827	314828	314829
	230 V AC/DC	250 V	10 A	2 + 2PE	IP65/IP67	315354	315355	315356
With pin protection, free wheeling diode and LED								
	24 V DC	30 V	1 A	2 + 2PE	IP65/IP67	315358	314837	314838
With pin protection and free wheeling diode								
	230 V DC	250 V	1 A	2 + 2PE	IP65/IP67	314831	314832	314833
With rectifier and varistor								
	230 V AC/DC	250 V	1 A	2+PE	IP65/IP67	314840	314841	314842

Cable plug with M12 connection

Note:

The delivery is made in a polythene bag with stainless steel screw.

Circuit diagram	Operating voltage [V/Hz]	Rated voltage [V/Hz]	Continuous current [A]	Number of pins without cable	Protection class without cable	Article no.
With LED and varistor						
	24 V	32 V	4	2+PE	IP67	902801

Further versions on request

Material Further seal materials on request
--

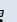
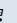

DTS 1000386347 EN Version: G Status: RL (released | freigegeben | valide) printed: 18.12.2024

7.4. Ordering chart accessories

Sealing kits

Note:

Please note that the screw set is only suitable for field attachable variants.

Description	Material	Packaging unit	Article no.
Sealing kit SC02 - 2518 - 700	EPDM	50 pieces	356539 
Sealing kit SC02 - 2518 - 700	Silicone	50 pieces	356537 
Sealing kit SC02 - 2518 - 700	NBR	50 pieces	20005658 
Screw set SC02 - 2518 - 700	Stainless steel	100 pieces	356540 