



### Cable plug, form C according to DIN EN 175301 - 803

- Protected according to degree of protection IP65
- With approvals: UR, CSA, VDE
- Easy to install
- Also available with moulded-on cable connection



Product variants described in the data sheet may differ from the product presentation and description.

#### Can be combined with



**Type 7011**  
Direct-acting 2/2-way  
plunger valve



**Type 7012**  
Direct-acting 3/2-way  
plunger valve



#### Type description

Plug-in connection for the connection of electrical components according to DIN EN 175301 - 803 Form C (previously DIN 43650).

## Table of contents

<b>1. General technical data</b>	<b>3</b>
<hr/>	
<b>2. Approvals and conformities</b>	<b>3</b>
2.1. General notes .....	3
2.2. Conformity .....	3
2.3. Standards .....	3
2.4. North America (USA/Canada) .....	4
<hr/>	
<b>3. Dimensions</b>	<b>4</b>
3.1. Cable plug without cable.....	4
3.2. Cable plug with cable.....	5
<hr/>	
<b>4. Device/Process connections</b>	<b>5</b>
4.1. Connection details.....	5
<hr/>	
<b>5. Product design and assembly</b>	<b>6</b>
5.1. Product assembly without cable .....	6
5.2. Product assembly with cable .....	6
<hr/>	
<b>6. Ordering information</b>	<b>7</b>
6.1. Bürkert eShop .....	7
6.2. Bürkert product filter.....	7
6.3. Ordering chart .....	7

DTS 1000326278 EN Version: J Status: RL (released | freigegeben | validé) printed: 20.03.2025

## 1. General technical data

Product properties	
Dimensions	Further information can be found in chapter "3. Dimensions" on page 4.
Material	
Body	Polyamide
Contacts	Brass
Operating display	LED, colour yellow
Cable diameter	4.5...6 mm
Number of pins	2-pin + protective conductor
Performance data	
Maximum continuous current	
without wiring	6 A
with wiring	1 A or 3 A (see "6.3. Ordering chart" on page 7)
Electrical data	
Operating voltage	0...250 V AC/DC (depending on the corresponding variant)
Contact resistance	≤ 10 mΩ
Process/Port connection and communication	
Electrical connection	Screw-type terminals
Approvals and conformities	
Degree of protection	IP65
North America (USA/Canada)	Further information can be found in chapter "2.4. North America (USA/Canada)" on page 4.
Environment and installation	
Ambient temperature	
Plug	- 40 °C...+ 125 °C
Seal	- 25 °C...+ 90 °C

## 2. Approvals and conformities

### 2.1. General notes

- The approvals and conformities listed below must be stated when making enquiries. This is the only way to ensure that the product complies with all required specifications.
- Not all available variants can be supplied with the below mentioned approvals or conformities.

### 2.2. Conformity

In accordance with the Declaration of Conformity, the product is compliant with the EU Directives.

### 2.3. Standards

The applied standards which are used to demonstrate compliance with the EU Directives are listed in the EU-Type Examination Certificate and/or the EU Declaration of Conformity.

### 2.4. North America (USA/Canada)

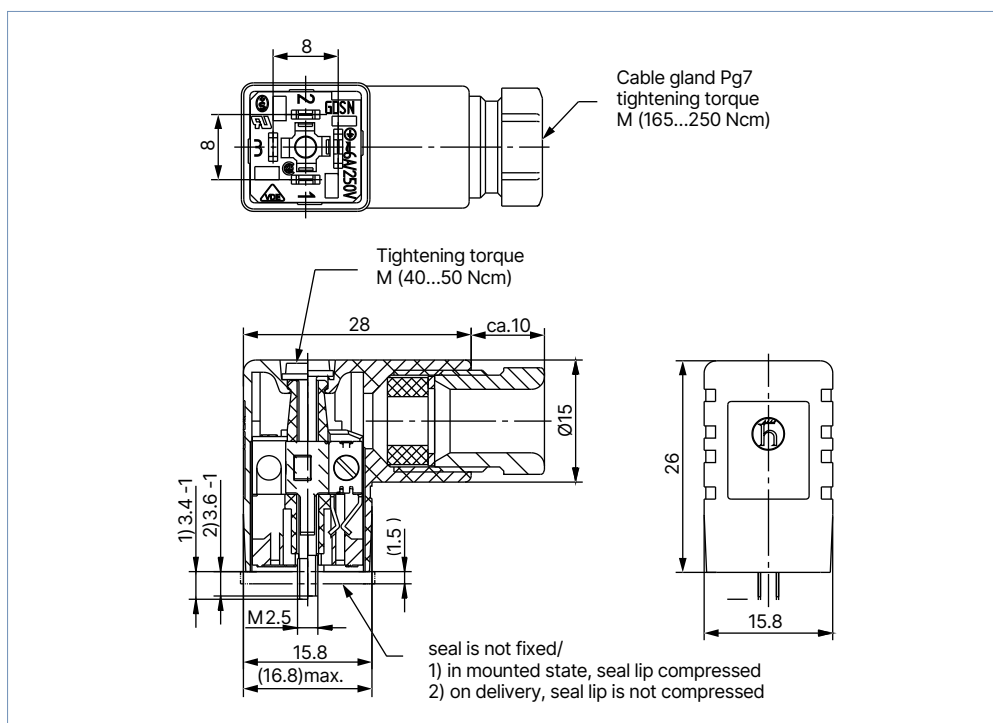
Approval	Description
	<p><b>Optional: UL Recognized for the USA and Canada</b></p> <p>The products are UL Recognized for the USA and Canada according to:</p> <ul style="list-style-type: none"> <li>• UL 1977, Ed. – 2 Component Connectors for Use in Data, Signal, Control and Power Applications</li> <li>• CSA Standard C 22.2 No. 0 - 10 – General Requirements Canadian Electrical Code, Part II</li> <li>• CSA Standard C 22.2 No. 182.3-M1987 – Special Use Attachment Plugs, Receptacles, and Connectors</li> </ul>

## 3. Dimensions

### 3.1. Cable plug without cable

**Note:**

- Dimensions in mm
- Device plugs with moulded cable do not require an additional flat seal. The seal is moulded onto the cable head.

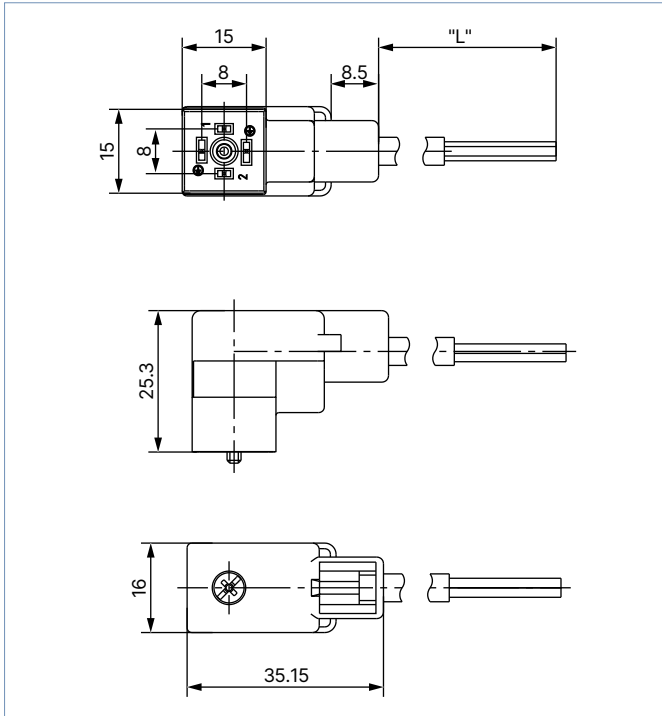


DTS 1000326278 EN Version: J Status: RL (released | freigegeben | validé) printed: 20.03.2025

### 3.2. Cable plug with cable

**Note:**

The standard cable length (L) is 3 m. 5 m cable and 10 m cable are available on request.



## 4. Device/Process connections

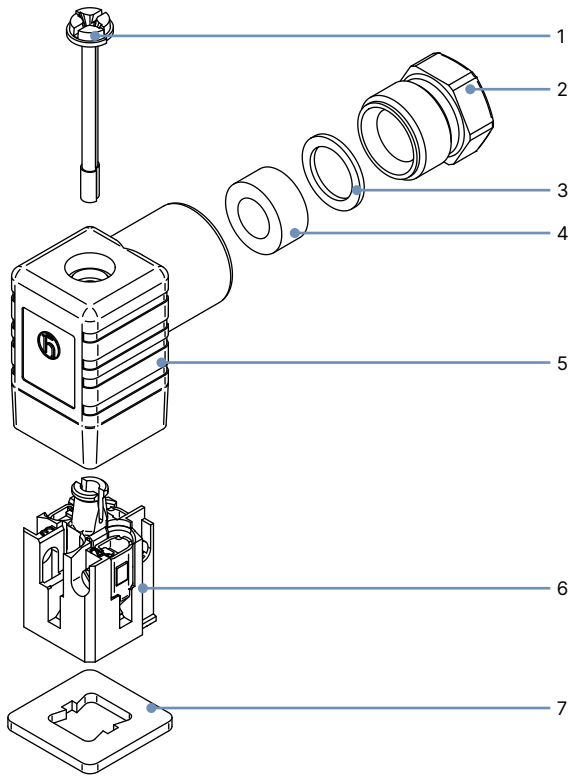
### 4.1. Connection details

Wiring	
<p>Without wiring</p>	<p>With LED</p>
<p>With rectifier, varistor and LED</p>	<p>With LED and varistor</p>

DTS 1000326278 EN Version: J Status: RL (released | freigegeben | validé) printed: 20.03.2025

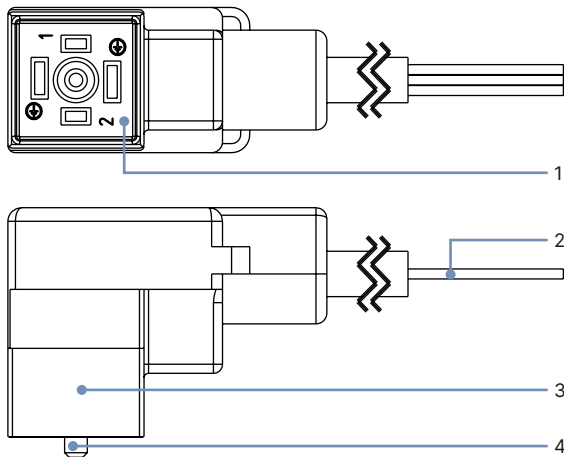
## 5. Product design and assembly

### 5.1. Product assembly without cable



No.	Element
1	M2.5 screw
2	Pressure screw
3	Thrust collar
4	Seal
5	Housing
6	Contact insert
7	Flat seal NBR

### 5.2. Product assembly with cable




No.	Element
1	Contact insert
2	Cable
3	Housing
4	M2.5 screw

DTS 1000326278 EN Version: J Status: RL (released | freigegeben | valide) printed: 20.03.2025

## 6. Ordering information

### 6.1. Bürkert eShop




**Bürkert eShop – Easy ordering and quick delivery**

You want to find your desired Bürkert product or spare part quickly and order directly? Our online shop is available for you 24/7. Sign up and enjoy all the benefits.

[Order online now](#)

### 6.2. Bürkert product filter



**Bürkert product filter – Get quickly to the right product**


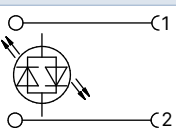
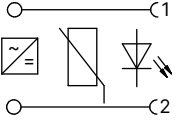
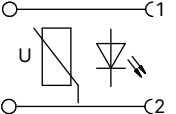
You want to select products comfortably based on your technical requirements? Use the Bürkert product filter and find suitable articles for your application quickly and easily.

[Try out our product filter](#)

### 6.3. Ordering chart

**Note:**

The delivery of the cable plug includes a flat seal and a fixing screw.

Circuitry	Operating voltage [V/Hz]	Continuous current [A]	Article no.	Article no.	Article no.
			Without cable	With 2 m cable	With 3 m cable
<b>Without wiring</b>					
	0...250 V AC/DC	Max. 6 A	303141 <sup>1)</sup>	303161	–
<b>With LED</b>					
	12...24 V AC/DC	Max. 3 A	303145	303162	–
	100...120 V AC/DC	Max. 3 A	303146	–	–
<b>With rectifier, varistor and LED</b>					
	12...24 V AC/DC	Max. 1 A	–	–	303142
	100...120 V AC/DC	Max. 1 A	–	–	303143
	200...240 V AC/DC	Max. 1 A	–	–	303144
<b>With LED and varistor</b>					
	12...24 V AC/DC	Max. 3 A	303148	–	–
	100...120 V AC/DC	Max. 3 A	303149	–	–

– = not available

1.) UL approval E95522 Vol. 1 Sec. 3, CSA approval 2372911