

High temperature service pressure gauge

Model: P740 series

Spec. sheet no. PD07-03

Service intended

P740 series have diaphragm seal to be combined with a pressure gauge, and measure the melted plastics, fiber, and synthetic under high pressure. It is suitable to be used for the situation where corrosive, contaminated, hot and viscous pressure mediums are present during the chemical or food process.



Pressure range (MPa, bar)

Refer to range table
Depending on diaphragm size and process conditions

Accuracy

±1.0 % of full scale

Filling liquid

Silicone oil

Working temperature

Ambient : -20 ~ 65 °C
Fluid : Max. 300 °C

Temperature effect

Accuracy at temperature above and below the reference temperature (20 °C) will be effected by approximately ±0.5 % per 10 °C of full scale



Standard features

Process connection

3/4" PF and 1" PF male screw

Pocket

80, 150 and 300 mm

Body

Stainless steel (316SS)

Certificates

ATEX II 2G Ex h IIC T6...T1 Gb
ATEX II 2D Ex h IIC T85°C...T450°C Db

Diaphragm

Stainless steel (316L SS)

WISE[®]

1. Base model

- P741** High temperature service pressure gauge
P742 High temperature service pressure gauge with remote seal

2. Gauge model and mounting type

- 8A** 100 mm (P252 model), bottom connection
8B 100 mm (P252 model), bottom connection, surface, case mounting plate (P742)

3. Body and process connection material, pocket length

- A** 316SS and 80 mm
B 316SS and 150 mm
C 316SS and 300 mm

4. Process connection

- FB** ¾" PF
GB 1" PF
ZZ Other

5. Unit

- H** bar
I MPa

6. Range

- XXX** Refer to pressure range table

7. Diaphragm material

- E** 316L SS

8. Option

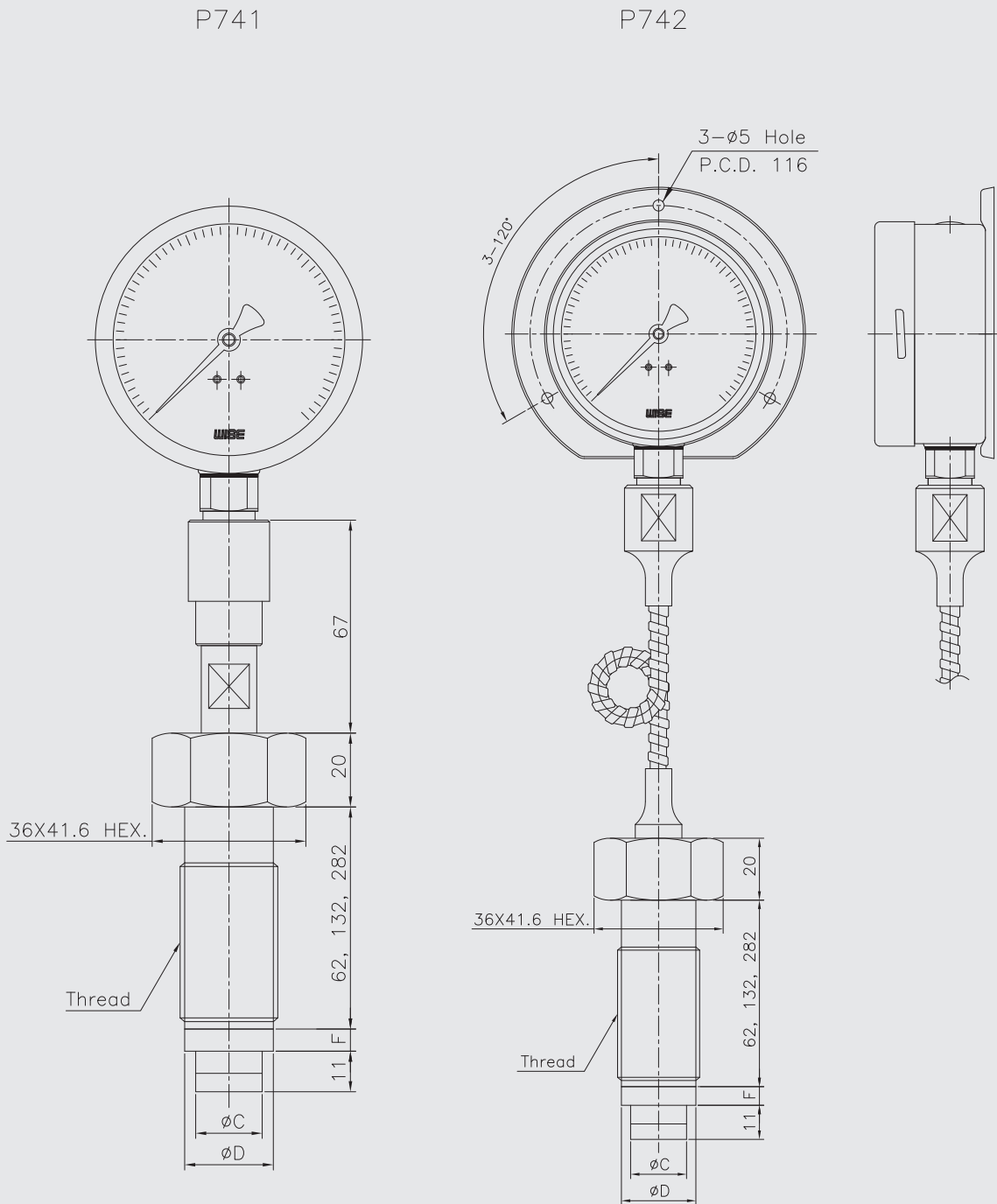
- 0** None
1 Accessories
7 Capillary length 2 metre, only available with P742 model
8 Capillary length 3 metre, only available with P742 model
9 Other

Note 1. Max. temperature and process of pressure medium must be specified on order sheet.

Sample ordering code

1	2	3	4	5	6	7	8
P741	8A	B	FB	H	XXX	E	0

P740 : Type of mounting



Dimensions (mm)

Thread size	Available code	øD	øC	F
PF 3/4"	P741	24	18	6
	P742	24	18	6
PF 1"	P741	30.2	23.6	8
	P742	30.2	23.6	8

Pressure unit and range table

Range and code	Unit and code	
	H : bar	I : MPa
058	0 ~ 100	0 ~ 10
059	0 ~ 150	0 ~ 15
060	0 ~ 160	0 ~ 16
062	0 ~ 250	0 ~ 25
064	0 ~ 350	0 ~ 35
065	0 ~ 400	0 ~ 40
066	0 ~ 500	0 ~ 50