

Flush diaphragm type pressure gauge

Model: P757 series

Spec. sheet no. PD07-07

Service intended

P757 series have diaphragm seal to be combined with a pressure gauge. These series are suitable to be used for the situation where corrosive, contaminated, hot, and viscous pressure mediums are present such as a chemical and food process.



Nominal diameter

63, 80 and 100 mm

Accuracy

63 and 80 mm : ± 1.6 % of full scale
100 mm : ± 1.0 % of full scale

Scale range (MPa, kPa, bar)

Refer to pressure unit and range table
Depending on diaphragm size and process conditions

Working pressure

Steady : 75 % of full scale
Over range protection : 130 % of full scale

Working temperature

Ambient : $-20 \sim 65$ °C
Fluid : Max. 100 °C

Temperature effect

Accuracy at temperature above and below the reference temperature (20 °C) will be effected by approximately ± 0.5 % per 10 °C of full scale



Standard features

Body

Stainless steel (316SS)

Diaphragm

Stainless steel (316L SS)

Process connection

Stainless steel (316SS)
Screw connection

Certificates

ATEX Ex II GD c IIC TX

1. Base model

P757 Flush diaphragm type pressure gauge

2. Nominal diameter and mounting type

7A 63 mm, bottom connection
7U 80 mm, bottom connection
8A 100 mm, bottom connection
7P 63 mm, bottom connection (Liquid filling)
8U 80 mm, bottom connection (Liquid filling)
8P 100 mm, bottom connection (Liquid filling)

3. Body and process connection material

D 316SS

4. Process connection

FC ¾" PT
GC 1" PT
HC 1¼" PT
FD ¾" NPT
GD 1" NPT
HD 1¼" NPT
ZZ Other

5. Unit

H bar
I MPa
J kPa

6. Range

XXX Refer to pressure range table

7. Diaphragm material

E 316L SS
Z Other

8. Option

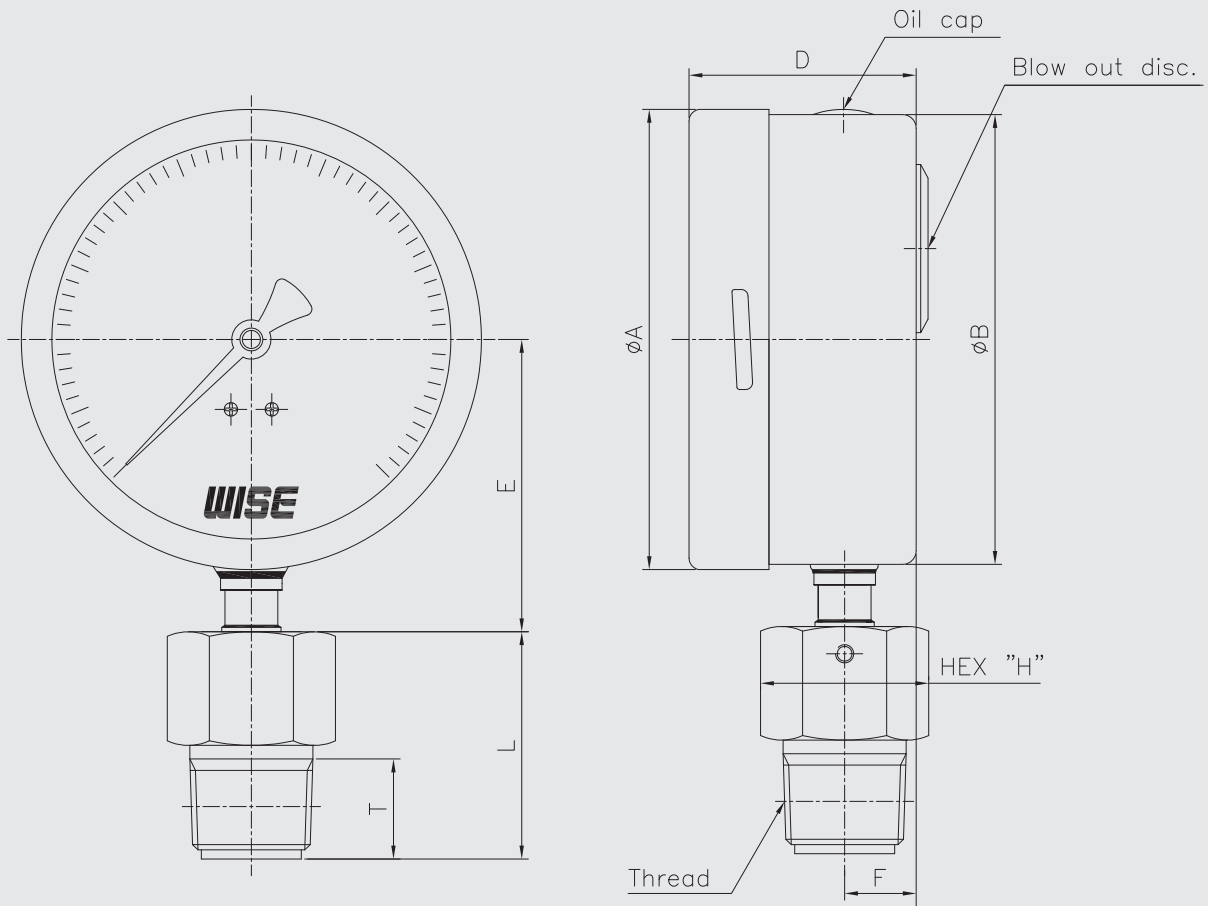
0 None
1 Accessories

Note 1. . Max temperature and pressure of process medium will be specified on order sheet.

Sample ordering code

1	2	3	4	5	6	7	8
P757	8A	D	FC	H	XXX	E	0

P757 : Type of mounting



Dimensions (mm)

Dial size	A	B	D ± 2	E ± 2	F ± 1	Thread	L	T	H
63	64	62	34	50.5	11	PT 3/4"	41	19	32X37 HEX.
						PT 1"	46	24	36X41.5 HEX.
80	81.2	78.5	39.5	59	12	PT 1 1/4"	43	24	46X53 HEX.
						NPT 3/4"	41	19	32X37 HEX.
100	101.3	99	50	75	16	NPT 1"	46	24	36X41.5 HEX.
						NPT 1 1/4"	43	24	46X53 HEX.

Range table

Range and code	Unit and code		Pressure connection		
	H : bar	I : MPa	PT 3/4"	PT 1"	PT 1 1/4"
045	0 ~ 6	0 ~ 0.6	○	○	○
047	0 ~ 10	0 ~ 1	○	○	○
050	0 ~ 15	0 ~ 1.5	○	○	○
143	0 ~ 16	0 ~ 1.6	○	○	○
051	0 ~ 20	0 ~ 2	○	○	○
052	0 ~ 25	0 ~ 2.5	○	○	○
054	0 ~ 35	0 ~ 3.5	○	○	○
151	0 ~ 40	0 ~ 4	○	○	○
055	0 ~ 50	0 ~ 5	○	○	○
056	0 ~ 60	0 ~ 6	○	○	○
057	0 ~ 70	0 ~ 7	○	○	○
058	0 ~ 100	0 ~ 10	○	○	○
059	0 ~ 150	0 ~ 15	○	○	○
060	0 ~ 160	0 ~ 16	○	○	○
062	0 ~ 250	0 ~ 25	○	○	○

○ : Available