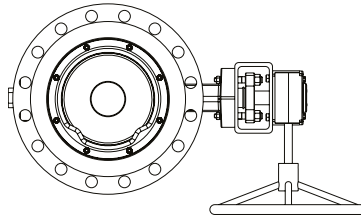


ARI-ZEDOX® - Fig. 122 - Double flanged high performance valve - Double offset

ARI-ZEDOX®  
with worm gear



Page 4

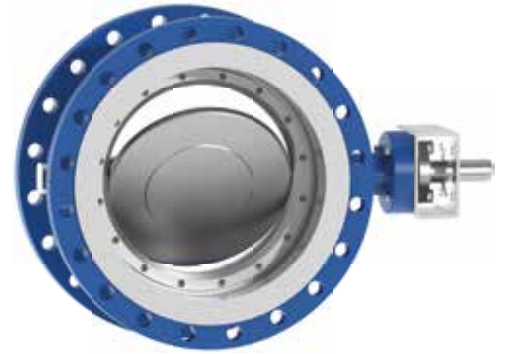
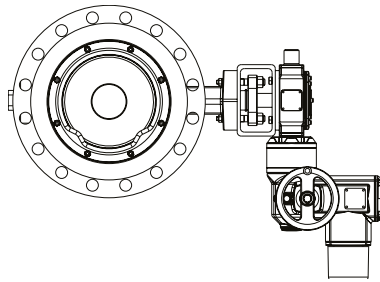


Fig. 122 -  
ARI-ZEDOX® double flanged

ARI-ZEDOX®  
with electric rotary actuator  
Auma

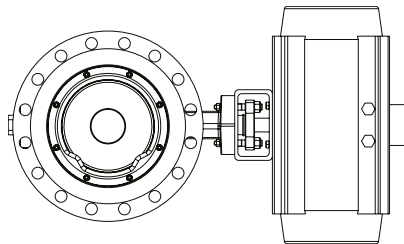


Page 5



DN200-DN900  
honeycomb  
shape disc

ARI-ZEDOX®  
with pneumatic actuator



Page 6



DN1000-DN1200  
Disc

ARI-ZEDOX®  
with hydraulic actuator

on request

**Features:**

- Carbon steel / stainless steel body
- Double offset construction:  
Rotary movement (90°) without wear or friction
- Metallic or PTFE+C sealing
- Bi-directional tightness
- Replaceable seat ring
- Fire Safe acc. to ISO 10497 / BS6755
- ATEX (optional)

Double flanged high performance valve (Cast steel, Stainless steel)

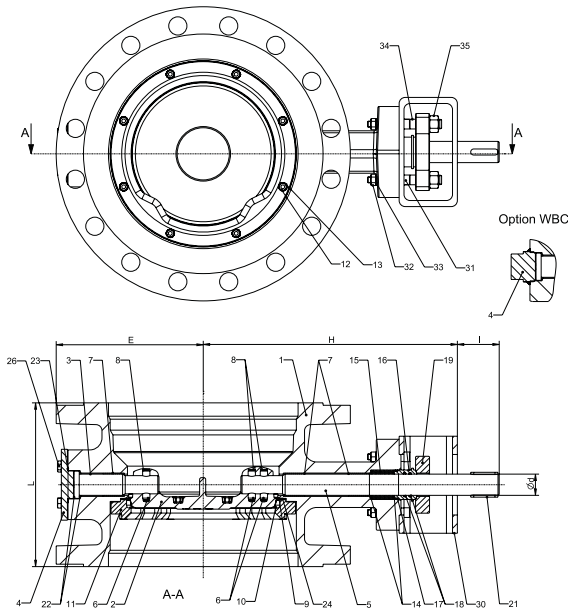


Figure	Nominal pressure	Material	Nominal diameter	Sealing element
31.122 <sup>1)</sup>	PN 6 - PN 10	1.0619+QT	DN 200-800	PTFE+C (TS)
			DN 200-1200	Stainless steel (CS)
32.122 <sup>1)</sup>	PN16	1.0619+QT	DN 200-800	PTFE+C (TS)
			DN 200-1200	Stainless steel (CS)
34.122 <sup>1)</sup>	PN 25	1.0619+QT	DN 200-800	PTFE+C (TS)
			DN 200-1200	Stainless steel (CS)
51.122 <sup>1)</sup>	PN 6 - PN 10	1.4408	DN 200-800	PTFE+C (TS)
			DN 200-1200	Stainless steel (CS)
52.122 <sup>1)</sup>	PN16	1.4408	DN 200-800	PTFE+C (TS)
			DN 200-1200	Stainless steel (CS)
54.122 <sup>1)</sup>	PN 25	1.4408	DN 200-800	PTFE+C (TS)
			DN 200-1200	Stainless steel (CS)

Face-to-face dimension series 14 acc. to EN 558-1

Standard: Bolted Bottom Cover (BBC)

Optional: Welded Bottom Cover (WBC)

<sup>1)</sup> Sales article (in order confirmation) over 34./54.122 in DN200-DN1200

Sealing element:	
• PTFE+C (TS) <sup>2)</sup>	-40°C to 180°C
• Stainless steel (CS)	-40°C to 260°C
<sup>2)</sup> Observe operating limits with sealing PTFE+C, refer to page 3	
Max. differential pressure:	
34.122	• 16 bar - standard
54.122	• 25 bar - option

Actuation arrangement:	
• Worm gear	• Pneumatic actuator
• Electric actuator	• Hydraulic actuator
Sealing leakage test:	
PTFE+C	• DIN EN 12266-1 Leakage rate A
Stainless steel	• DIN EN 12266-1 Leakage rate B

Options on request

Parts				
Pos.	Sp.p.	Description	Fig. 34.122	Fig. 54.122
1		Body	1.0619+QT	1.4408
2		Disc	1.4408 (optional 1.4460)	
3		Pivot	1.4021+QT	1.4542
4		Bottom cover	1.4404 (BBC), (optional WBC: 1.0565)	1.4404
5		Stem	1.4021+QT	1.4542
6		Pin	A4-70	
7		Bushing	P1	Inconel 625
8		Sicherungsring	PTFE on stainless steel net	
9 / 24	x	Shim <sup>3)</sup>	978-C / SIGRAFLEX HIGH PRESSURE (SIGRAFLEX HIGH PRESSURE for steam version)	
10	x	Sitzring	CS: 1.4404 (optional: 1.4539) TS: PTFE+C; special material on request	
11		Retaining ring	1.0425	1.4404
12		Socket screw	A4-80	
13		Washer	A4	
14		Back-up-ring	1.4404	
15	x	Box packing	Graphite	
16		Shaft seal bushing	1.4404	
17 / 18	x	O-ring	EPDM (not fitted in steam version)	
19		Gland	1.4404	
20		Hexagonal screw	A4-70	
21		Key	A4	
22		Axial-washer	P1	Inconel 625
23		Shim	978-C / SIGRAFLEX HIGH PRESSURE (SIGRAFLEX HIGH PRESSURE for steam version)	
26		Hexagon screw	A4-70	
30		Mounting bracket	1.0576 (galvanized)	
31		Socket screw	A4-70	
32		Hexagon nut	A4-70	
33		Retaining washers pair	A4	
34		Stud	A4-70	
35		Hexagon nut	A4-70	
L Spare parts				

<sup>3)</sup> Only for CS-version

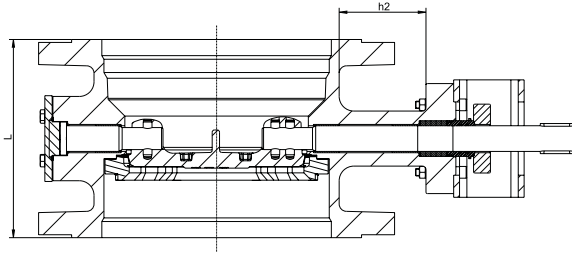
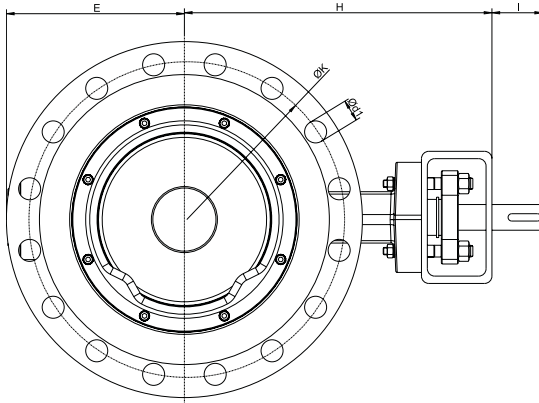
Information / restriction of technical rules need to be observed!

The engineer, designing a system or a plant, is responsible for the selection of the correct valve.

Resistance and suitability must be verified (contact manufacturer for information, refer to Product overview).

TS = PTFE+C (Teflon) seal and Stainless steel disc

CS = Chromed seating and Stainless steel disc



DN	200	250	300	350	400	450	500	600	700	800	900	1000	1200
----	-----	-----	-----	-----	-----	-----	-----	-----	-----	-----	-----	------	------

Face-to-face dimension series 14 acc. to DIN EN 558-1														
L	(mm)	230	250	270	290	310	330	350	390	430	470	510	550	630

Dimensions														
E	(mm)	179	218	254	280	324	354	379	404	468	519	606	660	835
H	(mm)	335	394	419	449	505	541	568	664	746	847	914	960	1077
h2	(mm)	115	125	125	125	155	149	149	178	181	183	194	183	183
l	(mm)	58	63	69	75	75	86	86	103	119	119	125	130	160
Flange ISO 5211		F10	F12	F12	F14	F14	F16	F16	F16	F25	F30	F30	F30	F35

Standard-flange dimensions per side															
PN 10	ØK	(mm)	295	350	400	460	515	565	620	725	840	950	1050	1160	1380
	n x Ød1	(mm)	8x22	12x22	12x22	16x22	16x26	20x26	20x26	20x30	24x30	24x33	28x33	28x36	32x39
PN 16	ØK	(mm)	295	355	410	470	525	585	650	770	840	950	1050	1170	1390
	n x Ød1	(mm)	12x22	12x26	12x26	16x26	16x30	20x30	20x33	20x36	24x36	24x39	28x39	28x42	32x48
PN 25	ØK	(mm)	310	370	430	490	550	600	660	770	875	990	1090	1210	1420
	n x Ød1	(mm)	12x26	12x30	16x30	16x33	16x36	20x36	20x36	20x39	24x42	24x48	28x48	28x56	32x56

Weights for double flanged high performance valve															
1.0619+QT	Fig. 34.122	(kg)	66	96	124	173	236	295	353	511	797	1048	1368	1827	2939
1.4408	Fig. 54.122	(kg)													

Pressure-temperature-ratings		Intermediate values for max. permissible operational pressure can be determined by linear interpolation of the given temperature / pressure chart.												
acc. to manufacturers standard	PN		-40 °C to < -10 °C	-10 °C to 50 °C	120 °C	150°C	200°C	250°C	260°C					
1.0619+QT	10	(bar)	10	10	9,2	8,8	8,3	7,6	7,5					
1.0619+QT	16	(bar)	16	16	16	15,3	14	13	12,6					
1.0619+QT	25	(bar)	25	25	25	23,9	22	20	19,4					
acc. to DIN EN 1092-1	PN		-40 °C to < -10 °C	-10 °C to 100 °C	150°C	200°C	250°C	260°C						
1.4408	10	(bar)	10	10	9	8,4	7,9	7,8						
1.4408	16	(bar)	16	16	14,5	13,4	12,7	12,5						
1.4408	25	(bar)	25	25	22,7	21	19,8	19,5						

Operating limits sealing element <sup>1)</sup>		Intermediate values for max. differential pressure can be determined by linear interpolation of the given temperature / pressure chart.												
Sealing PTFE+C (TS)			-40 °C	0 °C	50 °C	100 °C	120 °C	150 °C	180 °C	200 °C	250 °C	260 °C		
		(bar)	25	25	25	25	25	14,5	4	-	-	-		

<sup>1)</sup> Note additional restrictions of the pressure-temperature-ratings!

DN	200	250	300	350	400	450	500	600	700	800	900	1000	1200
----	-----	-----	-----	-----	-----	-----	-----	-----	-----	-----	-----	------	------

Max. differential pressure															
Sealing PTFE+C (TS)	Disc Side	(bar)	25	25	25	25	16	16	16	16	16	-	-	-	-
	Shaft Side	(bar)	25	25	25	25	25	16	16	16	16	16	-	-	-
	Bi-directional	(bar)	-	-	-	-	-	-	-	-	-	-	-	-	-
Sealing stainless steel (CS)	Disc Side	(bar)	25	25	25	25	25	25	25	25	25	25	25	25	25
	Shaft Side	(bar)	25	25	25	25	25	25	25	25	25	25	25	25	25
	Bi-directional	(bar)	25	25	25	25	25	25	25	25	25	25	25	25	25

Operation torque for max. differential pressure 16 bar (bi-directional flow)																
PN25 <sup>2)</sup>	Sealing PTFE+C	Torque <sup>3)</sup>	(Nm)	190	320	550	850	1300	1800	2400	3400	5500	-	-	-	-
	Sealing stainless steel		(Nm)	240	400	700	1100	1600	2200	3000	4200	6800	10000	13000	16000	24000

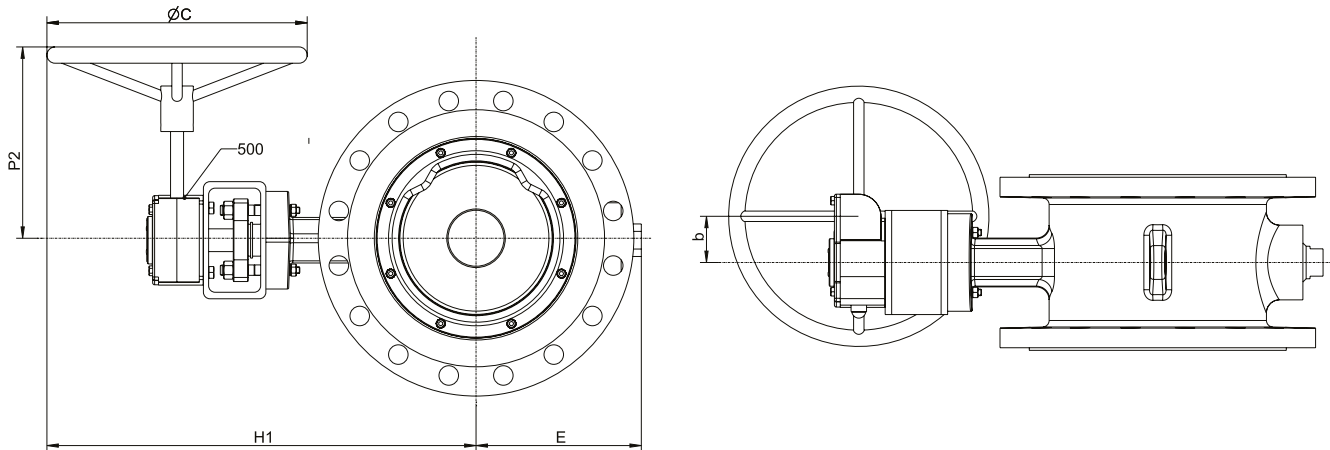
<sup>2)</sup> max. differential pressure 16 bar!

<sup>3)</sup> for steam duty use the next size up

**ZEDOX® Double flanged high performance valve with worm gear**

Opening and closing of the valves with the handwheel.

The position of the disc can be seen on a position indicator on top of the gear.



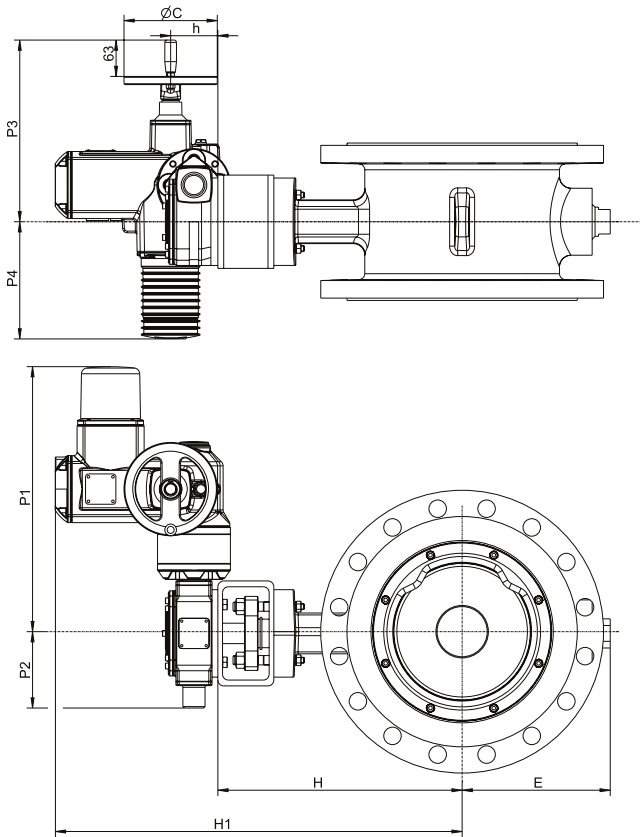
Parts			
Pos.	Sp.p.	Description	Fig. 34./54.122
500	x	Worm gear	
	L Spare parts		

DN	200	250	300	350	400	450	500	600	700	800	900	1000	1200	
<b>Dimensions</b>														
b	(mm)	71	71	71	86	86	53	53	53	182	182	182	182	209
ØC	(mm)	200	300	400	400	500	500	500	500	500	500	500	500	600
E	(mm)	179	218	254	28	324	354	379	404	468	519	606	660	835
H1	(mm)	476	585	660	691	797	847	874	970	1055	1156	1223	1269	1462
P2	(mm)	249	284	297	285	305	348	348	348	470	470	470	470	491
Type of gear		AB550N	AB550N	AB550N	AB880N	AB880N	AB2000N	AB2000N	AB2000N	AB6800N-PR4	AB6800N-PR4	AB6800N-PR6	AB6800N-PR6	A200N-PR10

Weights with manual gear Rotork <sup>1)</sup>															
1.0619+QT	Fig. 34.122	(kg)	76	107	136	190	254	323	381	539	863	1114	1436	1895	3078
1.4408	Fig. 54.122	(kg)													

<sup>1)</sup> weight of hand wheel is not included

**ZEDOX® Double flanged high performance valve with electric rotary actuator Auma**

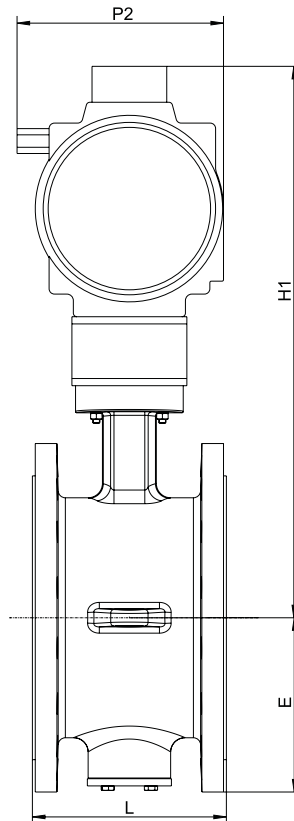
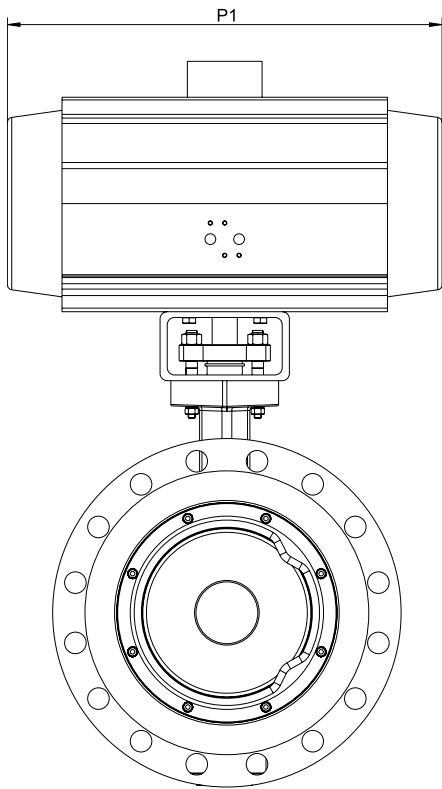


DN	200	250	300	350	400	450	500	600	700	800	900	1000	1200
----	-----	-----	-----	-----	-----	-----	-----	-----	-----	-----	-----	------	------

Dimensions														
ØC	(mm)	160	160	160	200	200	160	160	200	200	160	160	160	200
E	(mm)	176	218	254	280	324	354	379	404	468	519	606	660	835
h	(mm)	80	85	85	107	107	115	115	125	125	130	130	130	180
H	(mm)	335	394	419	449	505	541	568	664	746	847	914	960	1077
H1	(mm)	613	677	702	754	810	854	881	987	1069	1175	1242	1288	1455
P1	(mm)	388	413	413	420	420	547	547	554	554	698	698	758	860
P2	(mm)	98	128	128	133	133	189	189	194	194	331	331	420	455
P3	(mm)	299	312	312	334	334	349	349	379	379	409	409	449	504
P4	(mm)	215	202	202	203	203	165	165	158	158	175	175	208	258
Type of actuator PN25 max. differential pressure 16 bar, for CS- and TS-version		SA07.2- GS50.3 (51:1)- F10	SA07.6- GS63.3 (51:1)- F12	SA07.6- GS63.3 (51:1)- F12	SA10.2- GS80.3 (53:1)- F14	SA10.2- GS80.3 (53:1)- F14	SA07.6- GS100.3 (208:1)- F16	SA07.6- GS100.3 (208:1)- F16	SA10.2- GS125.3 (208:1)- F16	SA10.2- GS125.3 (208:1)- F25	SA07.6- GS160.3 (880:1)- F30	SA07.6- GS160.3 (880:1)- F30	SA07.6- GS200.3 (864:1)- F30	SA10.2- GS250.3 (848:1)- F35
Output drive	1/min	22	22	22	22	22	45	45	45	45	90	90	63	63
Operating time	s/90°	35	35	35	36	36	69	69	69	69	147	147	206	202

Weights with electric actuator															
1.0619+QT	Fig. 34.122	(kg)	93	129	157	214	277	355	413	582	868	1160	1480	2018	3272
1.4408	Fig. 54.122	(kg)													

**ZEDOX® Double flanged high performance valve with pneumatic rotary actuator AIR-TORQUE**



Type of actuator	P1	P2
	(mm)	(mm)
SC00450	394,5	166
SC00600	422,5	181
SC00900	474	200
SC01200	528	221,5
SC02000	605	262
SC03000	710	330
SC04000	812	371
SC05000	855	418
SC10000	950	528

DN	200	250	300	350	400	450	500	600
----	-----	-----	-----	-----	-----	-----	-----	-----

Dimensions									
E	(mm)	179	218	254	280	324	354	379	404
H1 <sup>1)</sup>	(mm)	606	689	768	882	965	1139	1166	1262
Type of actuator for max. differential pressure 16 bar <sup>2)</sup>									
Spring closes flow from disc side actuating pressure actuator 5 bar	TS	SC00600-5/6	SC01200-5	SC02000-5	SC3000-5	SC4000-5/6	SC10000-4	SC10000-4/5	on request
	CS	SC00900-5	SC01200-5/6	SC02000-5/6	SC4000-5	SC05000-5/6	SC10000-4	SC10000-5/6	
Spring closes flow from disc side actuating pressure actuator 6 bar	TS	SC00600-5/6	SC01200-5	SC02000-5	SC3000-5	SC4000-5/6	SC05000-6	SC10000-4/5	
	CS	SC00900-5	SC01200-6	SC02000-6	SC4000-5	SC05000-5/6	SC10000-4	SC10000-5/6	
Spring closes flow from shaft side actuating pressure actuator 5 bar	TS	SC00600-4/5	SC00900-5/6	SC02000-4	SC03000-4	SC04000-4/5	SC05000-5	SC10000-4	SC10000-5/6
	CS	SC00600-5/6	SC001200-5	SC02000-5	SC03000-5/6	SC04000-5/6	SC10000-4	SC10000-4/5	on request
Spring closes flow from shaft side actuating pressure actuator 6 bar	TS	SC00450-6	SC00900-5/6	SC02000-4	SC02000-6	SC04000-4/5	SC05000-5	SC10000-4	SC10000-5/6
	CS	SC00600-5/6	SC001200-5	SC02000-5	SC03000-5/6	SC04000-5/6	SC05000-6	SC10000-4/5	on request

Weights with pneumatic actuator <sup>1)</sup>										
1.0619+QT	Fig. 34.122	(kg)	98	138	191	318	398	522	580	738
1.4408	Fig. 54.122	(kg)								

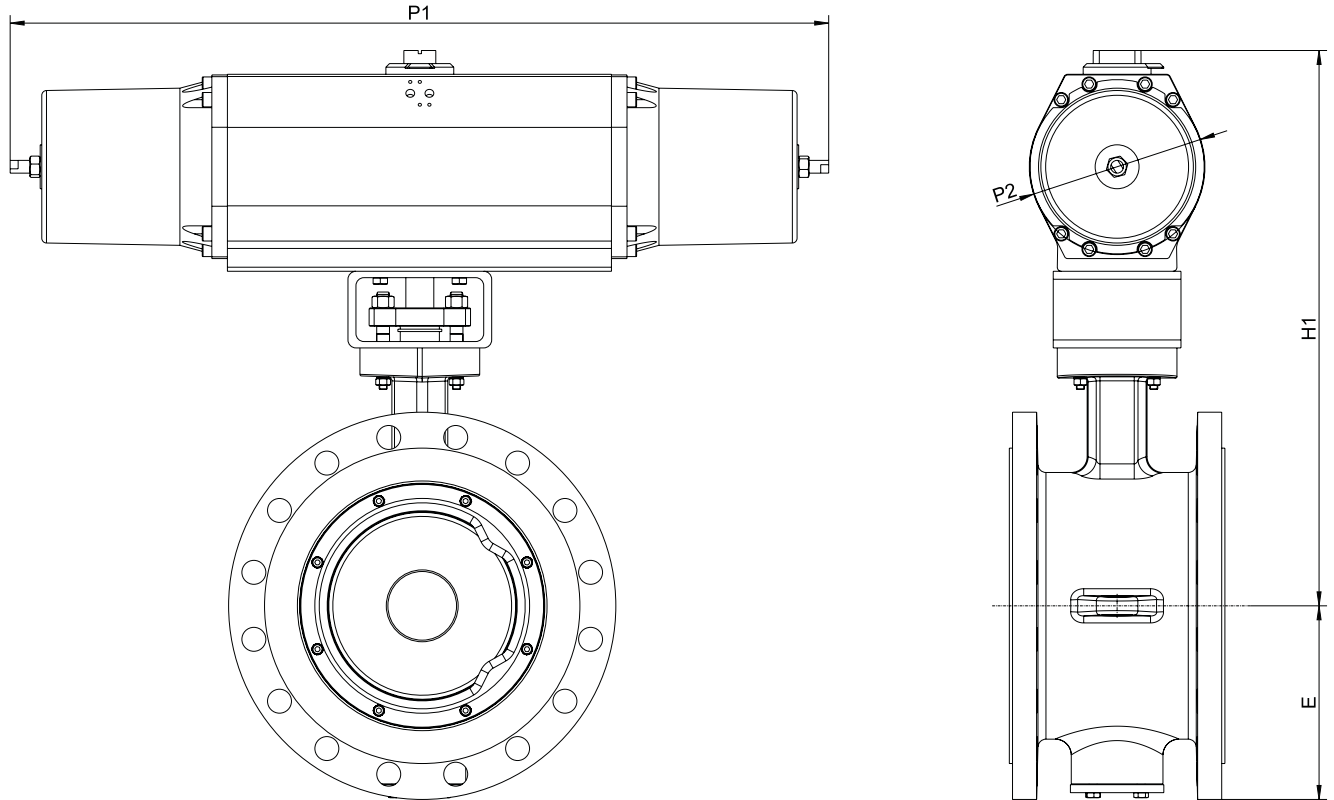
For steam duty use the next actuator up

<sup>1)</sup> with largest actuator option

<sup>2)</sup> other differential pressures on request

Actuator bigger than DN600 on request

**ZEDOX® Double flanged high performance valve with pneumatic actuator Rotork RC**



DN	200	250	300	350	400 <sup>2)</sup>	450 <sup>2)</sup>	500 <sup>2)</sup>
<b>Dimensions</b>							
E	(mm)	on request					
H1	(mm)						
P1	(mm)						
P2	(mm)						
Type of actuator spring closes <sup>1)</sup>							
Type of actuator double acting <sup>1)</sup>							

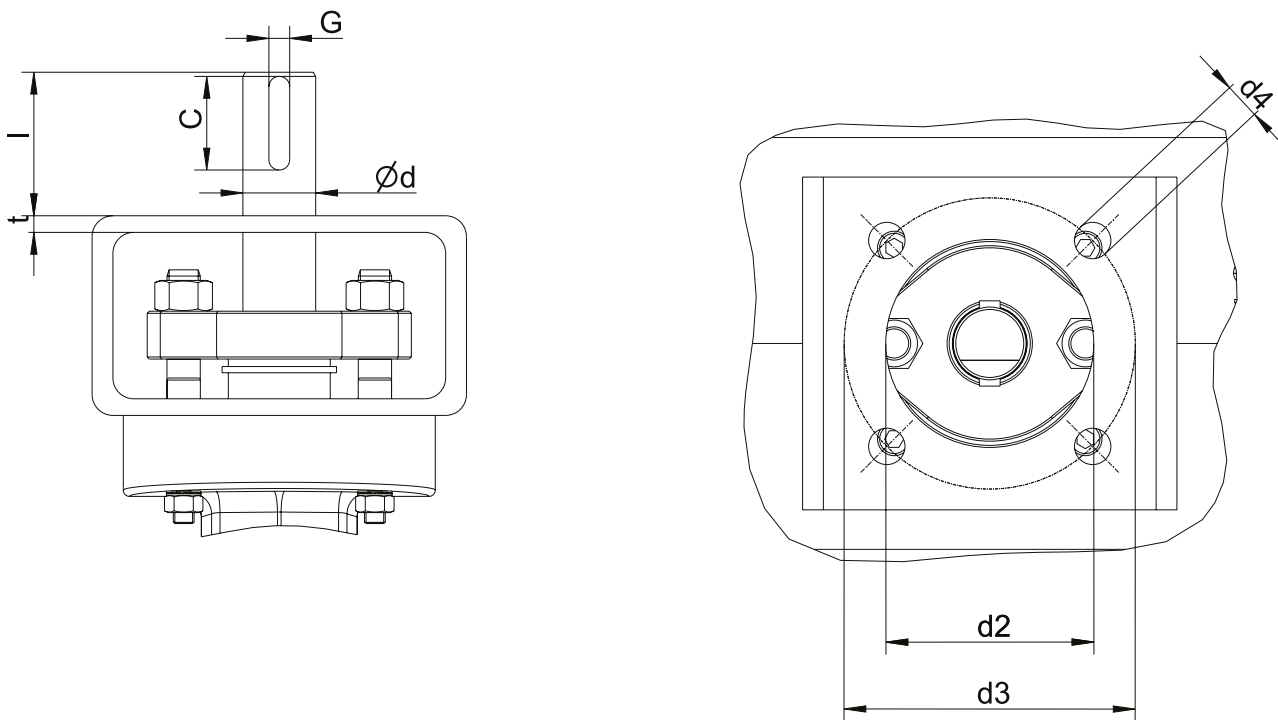
<b>Weights with pneumatic actuator</b>			
1.0619+QT	Fig. 34.122	(kg)	on request
1.4408	Fig. 54.122	(kg)	

<sup>1)</sup> at air pressure 6 bar

<sup>2)</sup> Δ P max = 16 bar

actuator bigger than D N500 on request

Actuator flange connection, with 2 parallel keys 180° rotated

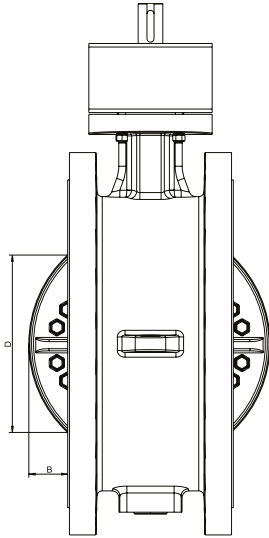


DN		200	250	300	350	400	450	500	600	700	800	900	1000	1200
Connection EN ISO 5211		F10	F12		F14		F16			F25	F30			F35
Ød (stem diameter)	(mm)	25	30	35	40		50	50	65	70	70	90	100	140
d2 (inside diameter)	(mm)	70	85		100		130			200		230		260
d3 (screw-hole circle diameter)	(mm)	102	125		140		165			254		298		356
n x d4 (Number x hole-Ø)	(mm)	4x10,5	4x13,5		4x17,5		4x22			8x17,5		8x22		8x33
C (parallel key length)	(mm)	45	45	45	50		63	63	90	110	110	125	125	100
G (parallel key width)	(mm)	8	8	10	12		14	14	18	20	20	25	28	36
l (bare stem length)	(mm)	58	63	69	75	75	86	86	103	119	119	125	130	160
t (mounting bracket wall thickness)	(mm)	8	8	8	8		8	8	8	8	14	11	11	12



Kvs-value / Zeta-value														
DN		200	250	300	350	400	450	500	600	700	800	900	1000	1200
Kvs-value	(m³/h)	775	1522	2862	4444	6413	9690	14430	16200	22160	28160	36180	39000	58000
Zeta-value	--	4,26	2,70	1,58	1,21	1,00	0,70	0,48	0,79	0,78	0,81	0,80	1,05	0,98

Difference between disc outside-diameter and face-to-face														
DN		200	250	300	350	400	450	500	600	700	800	900	1000	1200
B	(mm)	-	-	-	2	21	32	48	52	81	111	138	152	217
D	(mm)	-	-	-	38	161	213	273	299	404	504	595	655	854





Your valve made by ARI®  
ari-armaturen.com

**ARI-ZEDOX®**  
**Double flanged high performance valve**

---



Your valve made by ARI®  
ari-armaturen.com

ARI-Armaturen Albert Richter GmbH & Co. KG, D-33750 Schloß Holte-Stukenbrock,  
Tel. +49 (0)5207 / 994-0, Telefax +49 (0)5207 / 994-297 or 298 Internet: <https://www.ari-armaturen.com> E-mail: [info.vertrieb@ari-armaturen.com](mailto:info.vertrieb@ari-armaturen.com)