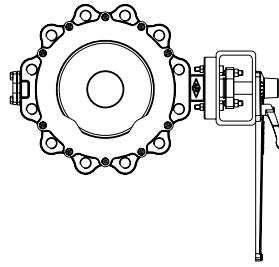




**ARI-ZEDOX® - Fig. 123 - Thread Connection high performance valve - Double offset**

**ARI-ZEDOX®**  
with hand lever

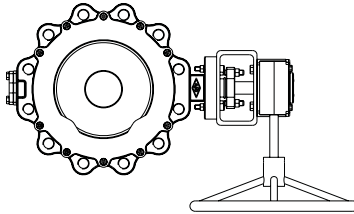


Page 5



**Fig. 123 -**  
**ARI-ZEDOX® Thread Connection - short pattern**

**ARI-ZEDOX®**  
with worm gear

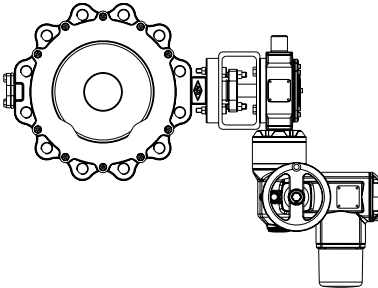


Page 6



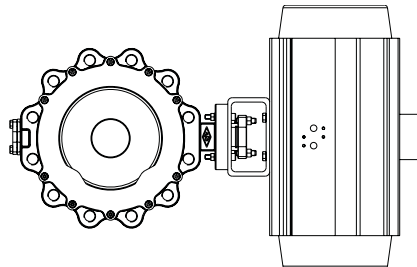
**DN80-DN800**  
**honeycomb**  
**shape disc**

**ARI-ZEDOX®**  
with electric rotary actuator  
Auma



Page 7

**ARI-ZEDOX®**  
with pneumatic actuator



Page 9

**ARI-ZEDOX®**  
with hydraulic actuator

on request

**Features:**

- Short pattern and middle pattern (K1, K2)
- Cast steel / stainless steel body
- Double offset construction:  
Rotary movement (90°) without wear or friction
- Metallic or PTFE+C sealing
- Bi-directional tightness up to differential pressure 25 bar
- Replaceable seat ring
- Firesafe acc. to ISO 10497/ BS6755
- ATEX

Thread Connection high performance valve (Cast steel, Stainless steel)

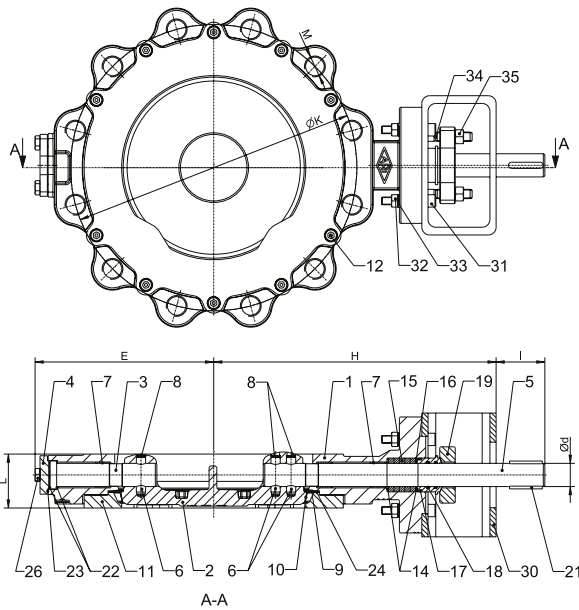


Figure	Nominal pressure	Material	Nominal diameter	Sealing elements
31.123 <sup>1)</sup>	PN 10	1.0619+QT	DN 80-700	PTFE+C (TS)
			DN 80-800	Stainless steel (CS)
32.123 <sup>1)</sup>	PN 16	1.0619+QT	DN 80-700	PTFE+C (TS)
			DN 80-800	Stainless steel (CS)
34.123	PN 25	1.0619+QT	DN 80-700	PTFE+C (TS)
			DN 80-800	Stainless steel (CS)
35.123	PN 40	1.0619+QT	DN 80-200	Edelstahl (CS)
51.123 <sup>1)</sup>	PN 10	1.4408	DN 80-700	PTFE+C (TS)
			DN 80-800	Stainless steel (CS)
52.123 <sup>1)</sup>	PN 16	1.4408	DN 80-700	PTFE+C (TS)
			DN 80-800	Stainless steel (CS)
54.123	PN 25	1.4408	DN 80-700	PTFE+C (TS)
			DN 80-800	Stainless steel (CS)
55.123	PN 40	1.4408	DN 80-200	Stainless steel (CS)

Face-to-face dimension acc. to ISO 5752 / DIN EN 558-1  
Series 20 DIN3202 K1 (short pattern)  
Series 25 DIN3202 K2 (middle pattern)

On request: drilled acc. to ANSI150

<sup>1)</sup> Sales article (in order confirmation) over 34./54.123

Sealing element:	
• PTFE+C (TS) <sup>2)</sup>	-40°C bis 180°C
• Stainless steel (CS)	-40°C bis 260°C
<sup>2)</sup> Observe operating limits with sealing PTFE+C, refer to page 4	
Max. differential pressure:	
34.123	• 16 bar - standard
54.123	• 25 bar - option
35.123	• 40 bar - standard
55.123	

Actuation arrangement:	
• Hand lever	• Pneumatic actuator • Hydraulic actuator
• Worm gear	
• Electric actuator	
Sealing leakage test:	
PTFE+C	• DIN EN 12266-1 Leckrate A
Edelstahl	• DIN EN 12266-1 Leckrate B

Options on request

Parts				
Pos.	Sp.p	Description	Fig. 34.123 / 35.123	Fig. 54.123 / 55.123
1		Body	1.0619+QT	1.4408
2		Disc	1.4408 (optional 1.4460)	
3		Pivot	1.4021+QT	1.4542
4		Bottom cover	1.4404	
5		Stem	1.4021+QT	1.4542
6		Pin	A4-70	
7		Bushing	P1	Inconel 625
8		Retaining ring	1.4122+QT	
9 / 24	x	Shim <sup>3)</sup>	978-C / SIGRAFLEX HIGH PRESSURE (SIGRAFLEX HIGH PRESSURE for steam version)	
10	x	Seat ring	CS: 1.4404 (optional: 1.4539) TS: PTFE+C; special material on request	
11		Counter flange	1.0425	1.4404
12		Socket screw	A4-70	
14		Back-up-ring	1.4404	
15	x	Box packing	Graphite	
16		Shaft seal bushing	1.4404	
17 / 18	x	O-ring	EPDM / FPM (Not fitted in steam version)	
19		Gland	1.4301 (DN 80-125); 1.4408 (DN 150-800)	
21		Key	A4	
22		Axial-washer	P1	Inconel 625
23	x	Bottom cover gasket	978-C / SIGRAFLEX HIGH PRESSURE (SIGRAFLEX HIGH PRESSURE for steam version)	
26		Socket screw	A4-70	
30		Mounting bracket	1.0576 (galvanized)	
31		Socket screw	A4-70	
32		Hexagon nut	A4-70	
33		Retaining washers pair	A4	
34		Stud	A4-70	
35		Hexagon nut	A4-70	
L Spare parts				

<sup>3)</sup> Only for CS-version

Information / restriction of technical rules need to be observed!

The engineer, designing a system or a plant, is responsible for the selection of the correct valve.

Resistance and suitability must be verified (contact manufacturer for information, refer to Product overview)

TS = PTFE+C (Teflon) seal and Stainless steel disc

CS = Chromed seating and Stainless steel disc



DN		80	100	125	150	200	250	300	350	400	450	500	600	700	800	
<b>Face-to-face dimension acc. to ISO 5752 / DIN EN 558-1</b>																
L Series 20 (short pattern)	(mm)	46	52	56	56	60	68	78	78	102	114	127	154	165	190	
L Series 25 (middle pattern)	(mm)	49	56	64	70	71	76	83	92	-	-	-	-	-	-	
<b>Dimensions</b>																
Ød	(mm)	15	20	20	25	25	30	35	40	50	50	60	70	70	90	
E	(mm)	118	135	154	170	202	231	273	305	333	358	394	460	510	570	
H	(mm)	215	240	251	275	320	365	404	431	476	504	574	676	798	846	
l	(mm)	45	52	52	58	58	63	67	75	86	83	103	119	119	125	
Drive flange ISO 5211		F07	F07	F07	F10	F12	F12	F14	F14	F16	F16	F16	F25	F30	F30	

<b>Standard-flange dimensions / Threads (Dimensions, Quantity, Screw depth) per side</b>																	
PN 10	Flange hole	ØK	(mm)	160	180	210	240	295	350	400	460	515	565	620	725	840	950
		Total number of threads (M)	(n)	8	8	8	8	8	12	12	16	16	20	20	20	24	24
		Threads	(mm)	M16	M16	M16	M20	M20	M20	M20	M20	M24	M24	M24	M24	M27	M27
	Screw	Number <sup>1)</sup>	(n)	8	8	8	8	8	12	12	16	16	16	16	16	20	20
		Thread depth disc side <sup>1)</sup>	(mm)	23	26	29	27	27	34,5	34	35	50	59	62,8	40	40	45
		Thread depth shaft side <sup>1)</sup>	(mm)	20	23	24	26	30	30	40	40	48	50	60	40	40	45
		Number <sup>2)</sup>	(n)	-	-	-	-	-	-	-	-	-	4	4	4	4	4
		Thread depth disc side <sup>2)</sup>	(mm)	-	-	-	-	-	-	-	-	-	24	24	27	27	35
		Thread depth shaft side <sup>2)</sup>	(mm)	-	-	-	-	-	-	-	-	-	24	24	27	27	35
PN 16	Flange hole	ØK	(mm)	160	180	210	240	295	355	410	470	525	585	650	770	840	950
		Total number of threads (M)	(n)	8	8	8	8	12	12	12	16	16	20	20	20	24	24
		Threads	(mm)	M16	M16	M16	M20	M20	M24	M24	M24	M27	M27	M30	M33	M33	M36
	Screw	Number <sup>1)</sup>	(n)	8	8	8	8	12	12	12	16	16	16	16	16	20	20
		Thread depth disc side <sup>1)</sup>	(mm)	23	26	29	27	27	34,5	34	35	40	40	45	50	50	54
		Thread depth shaft side <sup>1)</sup>	(mm)	20	23	24	26	30	30	40	40	40	40	45	50	50	54
		Number <sup>2)</sup>	(n)	-	-	-	-	-	-	-	-	-	4	4	4	4	4
		Thread depth disc side <sup>2)</sup>	(mm)	-	-	-	-	-	-	-	-	-	27	30	33	33	35
		Thread depth shaft side <sup>2)</sup>	(mm)	-	-	-	-	-	-	-	-	-	27	30	33	33	35
PN 25	Flange hole	ØK	(mm)	160	190	220	250	310	370	430	490	550	600	660	770	875	990
		Total number of threads (M)	(n)	8	8	8	8	12	12	16	16	16	20	20	20	24	24
		Threads	(mm)	M16	M20	M24	M24	M24	M27	M27	M30	M33	M33	M33	M36	M39	M45
	Screw	Number <sup>1)</sup>	(n)	8	8	8	8	12	12	16	16	16	16	16	16	20	20
		Thread depth disc side <sup>1)</sup>	(mm)	23	26	29	27	27	34,5	34	35	50	50	50	54	58	67
		Thread depth shaft side <sup>1)</sup>	(mm)	20	23	24	26	30	30	40	40	48	50	50	54	58	67
		Number <sup>2)</sup>	(n)	-	-	-	-	-	-	-	-	-	4	4	4	4	4
		Thread depth disc side <sup>2)</sup>	(mm)	-	-	-	-	-	-	-	-	-	33	33	30	40	35
		Thread depth shaft side <sup>2)</sup>	(mm)	-	-	-	-	-	-	-	-	-	33	33	30	40	35
PN 40	Flange hole	ØK	(mm)	160	190	220	250	320	-	-	-	-	-	-	-	-	
		Total number of threads (M)	(n)	8	8	8	8	12	-	-	-	-	-	-	-	-	
		Threads	(mm)	M16	M20	M24	M24	M27	-	-	-	-	-	-	-	-	
	Screw	Number <sup>1)</sup>	(n)	8	8	8	8	12	-	-	-	-	-	-	-	-	
		Thread depth disc side <sup>1)</sup>	(mm)	23	26	29	27	27	-	-	-	-	-	-	-	-	
		Thread depth shaft side <sup>1)</sup>	(mm)	20	23	24	26	30	-	-	-	-	-	-	-	-	
		Number <sup>2)</sup>	(n)	-	-	-	-	-	-	-	-	-	-	-	-	-	
		Thread depth disc side <sup>2)</sup>	(mm)	-	-	-	-	-	-	-	-	-	-	-	-	-	
		Thread depth shaft side <sup>2)</sup>	(mm)	-	-	-	-	-	-	-	-	-	-	-	-	-	

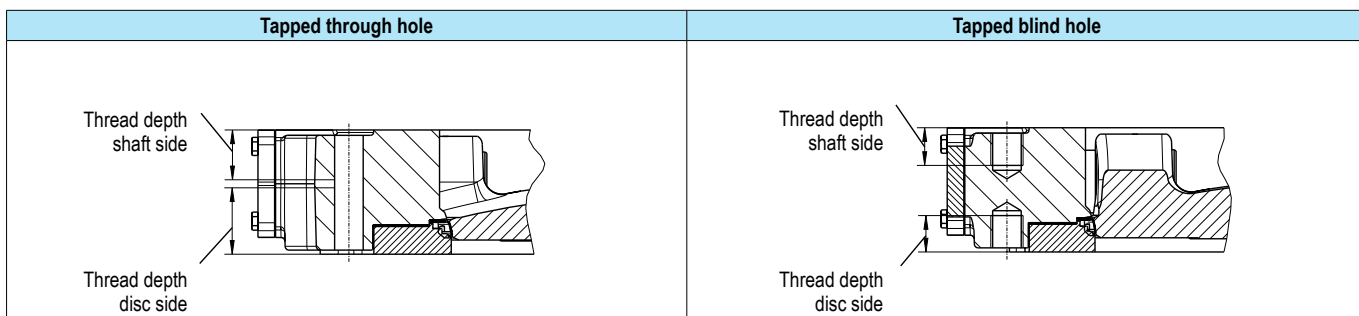
<sup>1)</sup> Tapped through hole (see picture below)      <sup>2)</sup> Tapped blind hole (see picture below)

Caution: Thread sizes ≥ M27 are not tapped all the way through

Thread pitch acc. to DIN 13-1

Thread depth is measured from flange face

Compliant with DIN EN 593 by ensuring effective thread depth of 1xD or 0,67xD





DN	80	100	125	150	200	250	300	350	400	450	500	600	700	800
----	----	-----	-----	-----	-----	-----	-----	-----	-----	-----	-----	-----	-----	-----

Weights for thread Connection high performance valve																	
1.0619+QT	Fig. 34./35.123	short pattern	(kg)	12	17	21	31	42	56	88	112	161	212	272	447	593	903
		middle pattern		12	17	21	33	45	59	88	120	-	-	-	-	-	-
1.4408	Fig. 54./55.123	short pattern	(kg)	16	17	21	31	42	57	88	113	162	213	273	450	595	908
		middle pattern		16	17	22	33	45	59	89	121	-	-	-	-	-	-

**Pressure-temperature-ratings** Intermediate values for max. permissible operational pressure can be determined by linear interpolation of the given temperature / pressure chart.

acc. to manufacturers standard	PN	-40 °C to < -10 °C	-10 °C to 50 °C	120 °C	150 °C	200 °C	250 °C	260 °C
1.0619+QT	10 (bar)	10	10	9,2	8,8	8,3	7,6	7,5
1.0619+QT	16 (bar)	16	16	16	15,3	14	13	12,6
1.0619+QT	25 (bar)	25	25	25	23,9	22	20	19,4
1.0619+QT	40 (bar)	40	40	40	38,1	35	32	31,2

acc. to DIN EN 1092-1	PN	-40 °C to < -10 °C	-10 °C to 100 °C	150 °C	200 °C	250 °C	260 °C
1.4408	10 (bar)	10	10	9	8,4	7,9	7,8
1.4408	16 (bar)	16	16	14,5	13,4	12,7	12,5
1.4408	25 (bar)	25	25	22,7	21	19,8	19,5
1.4408	40 (bar)	40	40	36,3	33,7	31,8	31,4

**Operating limits sealing element <sup>1)</sup>** Intermediate values for max. differential pressure can be determined by linear interpolation of the given temperature / pressure chart.

Sealing PTFE+C (TS)	-40 °C	0 °C	50 °C	100 °C	120 °C	150 °C	180 °C	200 °C	250 °C	260 °C
	25	25	25	25	25	14,5	4	-	-	-

<sup>1)</sup> Note additional restrictions of the pressure-temperature-ratings!

DN	80	100	125	150	200	250	300	350	400	450	500	600	700	800
----	----	-----	-----	-----	-----	-----	-----	-----	-----	-----	-----	-----	-----	-----

Max. differential pressure																
Sealing PTFE+C (TS)	Disc Side	(bar)	25	25	25	25	25	25	16	16	16	16	16	16	-	-
	Shaft Side	(bar)	25	25	25	25	25	25	25	16	16	16	16	16	16	-
	Bi-directional	(bar)	-	-	-	-	-	-	-	-	-	-	-	-	-	-
Sealing stainless steel (CS)	Disc Side	(bar)	40	40	40	40	40	25	25	25	16	16	16	16	16	16
	Shaft Side	(bar)	25	25	25	25	25	25	16	16	16	16	16	16	16	16
	Bi-directional	(bar)	25	25	25	25	25	25	16	16	16	16	16	16	16	16

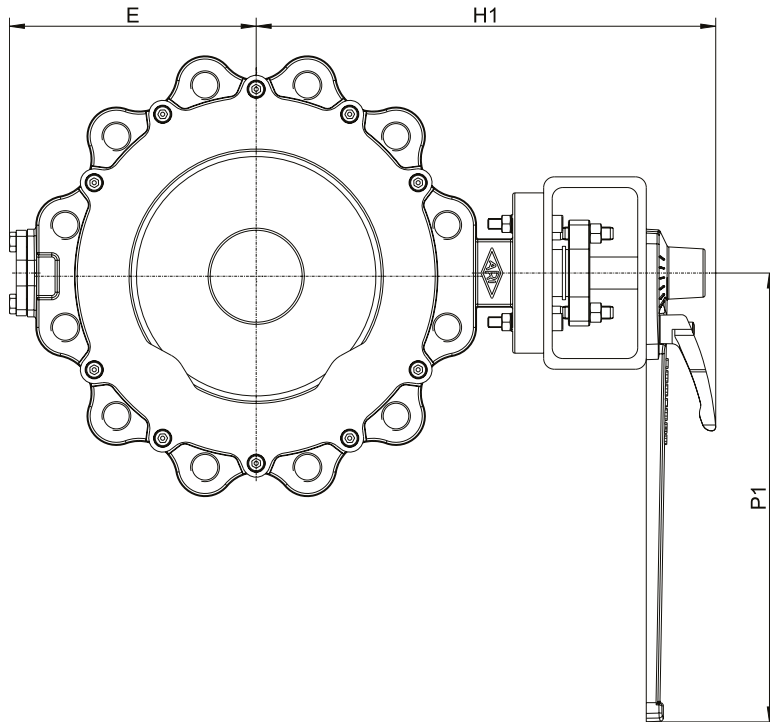
**Operation torque for max. differential pressure 16 bar (bi-directional flow)**

PN	Sealing	Torque <sup>3)</sup>	(Nm)	70	100	140	190	320	550	850	1300	1800	2400	3400	5500	-	-
PN 25 <sup>2)</sup>	Sealing PTFE+C		(Nm)	70	100	140	190	320	550	850	1300	1800	2400	3400	5500	-	-
	Sealing stainless steel		(Nm)	90	130	180	240	400	700	1100	1600	2200	3000	4200	6800	10000	13000
PN 40 <sup>2)</sup>	Sealing stainless steel		(Nm)	135	180	250	285	505	-	-	-	-	-	-	-	-	-

<sup>2)</sup> max. differential pressure 16 bar!

<sup>3)</sup> For steam duty use the next size up

**ZEDOX® Thread Connection high performance valve with hand lever**



Parts			
Pos.	Sp.p.	Description	Fig. 34.123 / 54.123
50	x	Hand lever	
		L Spare parts	

DN	80	100	125	150	200
----	----	-----	-----	-----	-----

Dimensions						
E	(mm)	118	135	154	170	202
H1 (to middle of valve)	(mm)	281,5	306,5	317,5	350	395
P1	(mm)	300	300	300	420	420

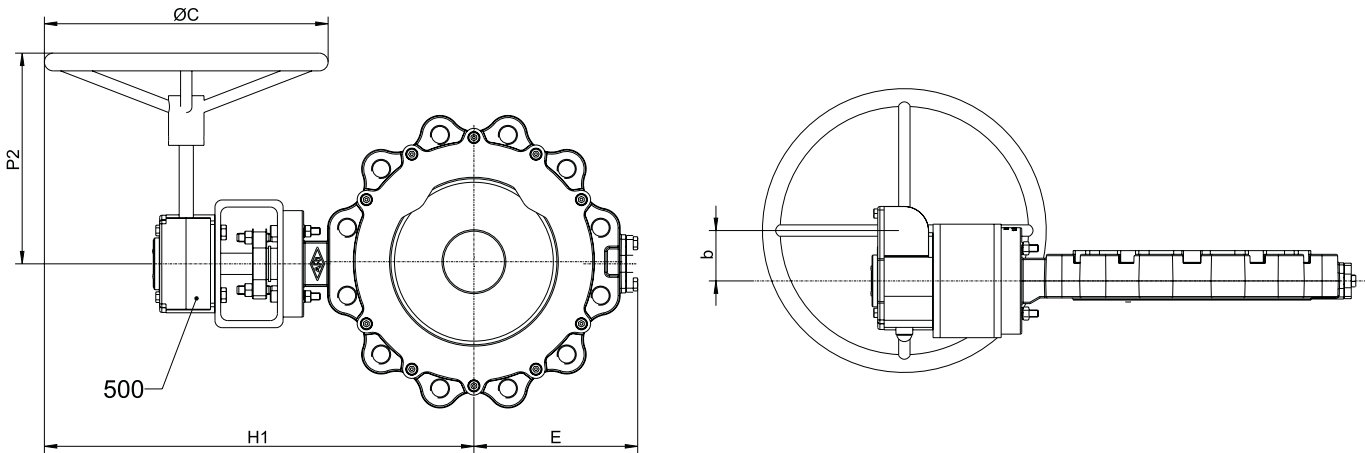
Weights with hand lever								
1.0619+QT	Fig. 34.123	short pattern	(kg)	14	18	22	33	44
		middle pattern	(kg)	14	18	23	35	47
1.4408	Fig. 54.123	short pattern	(kg)	17	18	22	33	45
		middle pattern	(kg)	17	18	23	36	47

Hand lever not available for PN 40

**ZEDOX® Thread Connection high performance valve with worm gear**

Opening and closing of the valves with the handwheel.

The position of the disc can be seen on a position indicator on top of the gear.



Parts			
Pos.	Sp.p.	Description	Fig. 34.123 / 54.123
500	x	Worm gear	
L Spare parts			

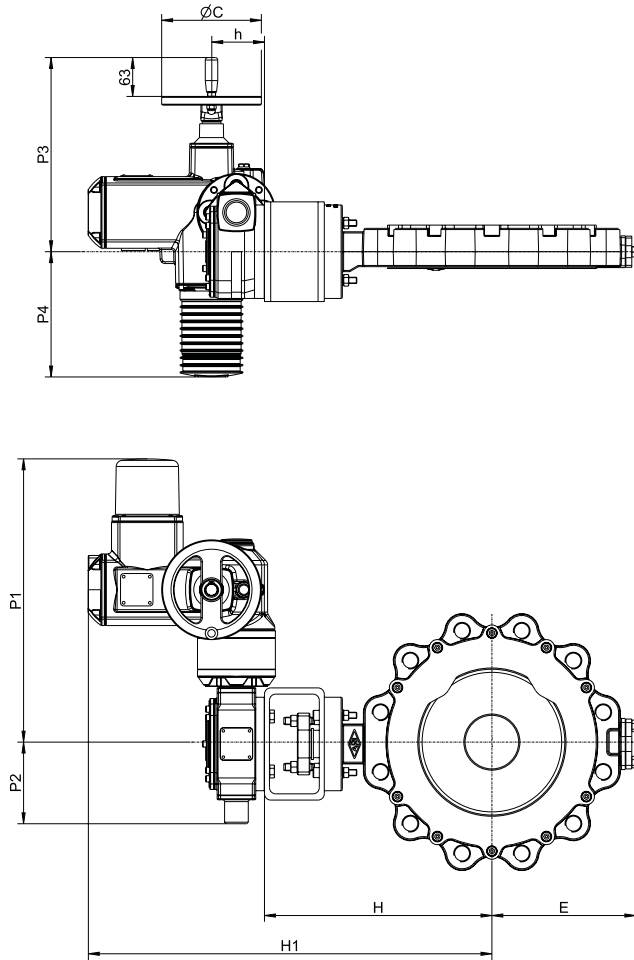
DN	80	100	125	150	200	250	300	350	400	450	500	600	700	800
----	----	-----	-----	-----	-----	-----	-----	-----	-----	-----	-----	-----	-----	-----

Dimensions															
b	(mm)	52	52	52	71	71	71	71	86	86	53	53	53	182	182
ØC	(mm)	200	200	200	200	200	300	400	400	500	500	500	500	500	500
E	(mm)	118	135	154	170	202	231	273	305	333	358	394	460	510	570
H1	(mm)	344	369	380	416	461	556	645	673	768	810	880	982	1107	1155
P2	(mm)	217	217	217	249	249	284	297	285	305	348	348	348	470	470
Type of gear		AB210 -10N	AB210 -10N	AB210 -10N	AB550N	AB550N	AB550N	AB550N	AB880N	AB2000N	AB2000N	AB2000N	AB2000N	AB6800N -PR4	AB6800N -PR4

Weights with manual gear Rotork <sup>1)</sup>																	
1.0619+QT	Fig. 34./35.123	short pattern	(kg)	18	22	26	41	52	67	99	129	179	240	300	475	659	969
		middle pattern	(kg)	18	22	27	43	55	69	100	137	-	-	-	-	-	-
1.4408	Fig. 54./55.123	short pattern	(kg)	21	22	26	41	53	68	100	129	180	241	301	478	661	974
		middle pattern	(kg)	21	22	27	44	55	70	101	137	-	-	-	-	-	-

<sup>1)</sup> Weight of hand wheel is not included

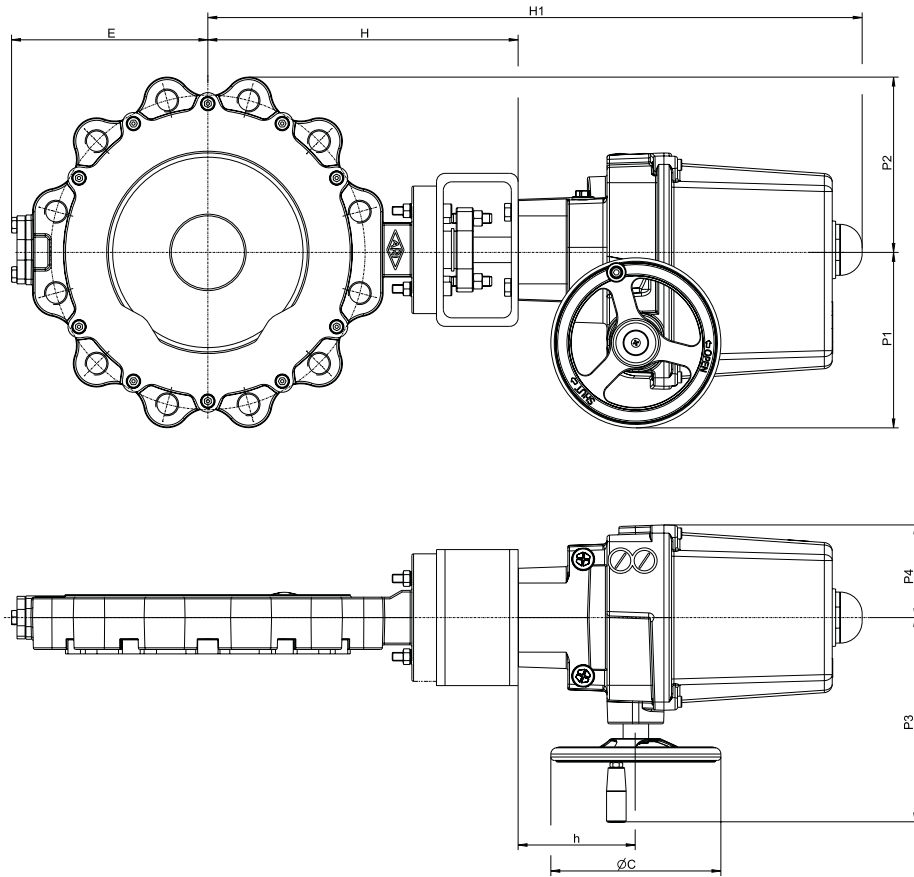
**ZEDOX® Thread Connection high performance valve with electric rotary actuator Auma**



DN		80	100	125	150	200	250	300	350	400	450	500	600	700	800
<b>Dimensions</b>															
ØC	(mm)	160	160	160	160	160	160	200	200	160	160	160	200	160	160
E	(mm)	118	135	154	170	202	231	273	305	333	358	394	460	510	570
h	(mm)	80	80	80	80	85	85	107	107	115	115	115	125	130	130
H	(mm)	215	240	251	275	320	365	404	431	476	504	574	676	798	846
H1	(mm)	493	518	529	553	603	648	709	736	789	817	887	999	1126	1174
P1	(mm)	388	388	388	388	413	413	420	420	547	547	547	554	698	698
P2	(mm)	98	98	98	98	128	128	133	133	189	189	189	194	331	331
P3	(mm)	299	299	299	299	312	312	334	334	349	349	349	379	409	409
P4	(mm)	215	215	215	215	202	202	203	203	165	165	165	158	175	175
<b>Type of actuator PN 25</b> max. differential pressure 16 bar, for CS- and TS-version		SA07.2- GS50.3 (51:1)- F07	SA07.2- GS50.3 (51:1)- F07	SA07.2- GS50.3 (51:1)- F07	SA07.2- GS50.3 (51:1)- F10	SA07.6- GS63.3 (51:1)- F12	SA07.6- GS63.3 (51:1)- F12	SA10.2- GS80.3 (53:1)- F14	SA10.2- GS80.3 (53:1)- F14	SA07.6- GS100.3 (208:1)- F16	SA07.6- GS100.3 (208:1)- F16	SA07.6- GS100.3 (208:1)- F16	SA10.2- GS125.3 (208:1)- F25	SA07.6- GS160.3 (880:1)- F30	SA07.6- GS160.3 (880:1)- F30
Output drive	1/min	22	22	22	22	22	22	22	22	45	45	45	45	90	90
Operating time	s/90°	35	35	35	35	35	35	36	36	69	69	69	69	147	147
<b>Type of actuator PN 40</b> max. differential pressure 16 bar, only for CS-version		SA07.2- GS50.3 (51:1)- F07	SA07.2- GS50.3 (51:1)- F07	SA07.2- GS50.3 (51:1)- F07	SA07.2- GS50.3 (51:1)- F10	SA07.6- GS63.3 (51:1)- F12									
Output drive	1/min	22	22	22	22	22									
Operating time	s/90°	35	35	35	35	35									

<b>Weights with electric actuator</b>																	
1.0619+QT	Fig. 34./35.123	short pattern	(kg)	39	44	48	58	75	89	129	153	221	272	332	518	705	1015
		middle pattern	(kg)	40	44	48	60	78	92	130	161	-	-	-	-	-	-
1.4408	Fig. 54./55.123	short pattern	(kg)	43	44	48	58	75	90	129	154	222	273	333	521	707	1020
		middle pattern	(kg)	43	44	49	60	78	92	130	162	-	-	-	on request		

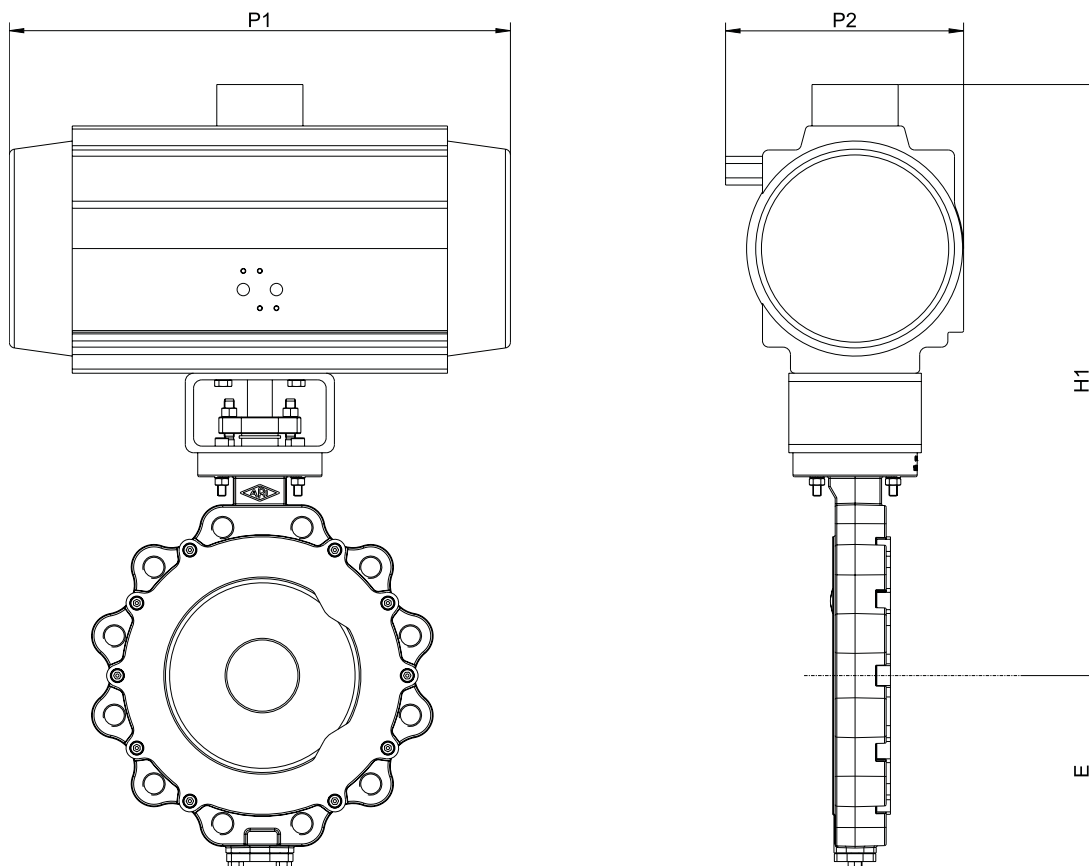
**ZEDOX® Thread Connection high performance valve with electric rotary actuator PSQ**



DN		80	100	125	150	200	250	300	350	400	450	500	600	700	800
<b>Dimensions</b>															
ØC	(mm)	126	126	200	200	200	200	250	200	200	200				
E	(mm)	118	135	149	170	202	230	273	305	333	386				
h	(mm)	77	77	98	98	138	139	139	342	342	342				
H	(mm)	215	240	251	282	320	365	404	431	476	476				
H1	(mm)	483	508	603	634	725	770	809	1039	1084	1084				
P1	(mm)	127	127	178	178	207	207	232	273	305	332				
P2	(mm)	100	114	131	131	182	207	239	273	305	332				
P3	(mm)	158	158	215	215	241	249	179	249	249	249				
P4	(mm)	79	79	93	93	109	109	109	109	140	140				
<b>Type of actuator PN 25 PSQ (standard)</b> max. differential pressure 16 bar, for CS- and TS-version		PSQ 103	PSQ 103	PSQ 203	PSQ 203	PSQ 503	PSQ 703	PSQ 1503	PSQ 2003	PSQ 2803	PSQ 3003				
Operating time (230 V AC / 50 Hz)	s/90°	32/57	32/57	20/28/69	20/28/69	29/43/93	29/43/93	75	120	120	120				
Operating time (24 V DC)	s/90°	36/65	36/65	16/60	16/60	43	43	60	172	172	172				
<b>Type of actuator PN 25 PSQ (AMS)</b> max. differential pressure 16 bar, for CS- and TS-version		PSQ 103 AMS1x	PSQ 103 AMS1x	PSQ 203 AMS1x	PSQ 203 AMS1x	PSQ 503 AMS12	PSQ 703 AMS13	PSQ 1503 AMS13	PSQ 2003 AMS13	PSQ 2803 AMS13	PSQ 3003 AMS13				
Operating time <sup>1)</sup> (adjustable) 230 V AC or 24 V DC	s/90°	9-72	9-72	16-120	16-120	36-72	70-140	110-220	144-288	280-560	280-560				
<b>Type of actuator PN 40 PSQ (standard)</b> max. differential pressure 16 bar, for CS-version		PSQ 103	PSQ 203	PSQ 203	PSQ 203	PSQ 503									
Operating time (230 V AC / 50 Hz)	s/90°	32	20/28/69	20/28/69	69	93									
Operating time (24 V DC)	s/90°		16/60	16/60											
<b>Type of actuator PN 40 PSQ (AMS)</b> max. differential pressure 16 bar, for CS-version		PSQ 203 AMS1x	PSQ 203 AMS1x	PSQ 203 AMS1x	PSQ 503 AMS12	PSQ 703 AMS13									
Operating time <sup>1)</sup> (adjustable) 230 V AC or 24 V DC	s/90°	16-120	16-120	16-120	36-72	70-140									
<b>Weights with electric actuator</b>															
1.0619+QT	Fig. 34./35.123	short pattern	(kg)	19	24	32	42	69	83	115	139	188	239		
		middle pattern	(kg)	19	24	32	44	72	86	115	147	-	-		
1.4408	Fig. 54./55.123	short pattern	(kg)	23	24	32	42	69	84	115	140	189	240		
		middle pattern	(kg)	23	24	33	44	72	86	115	148	-	-		

<sup>1)</sup> more voltages see data sheet of the actuators

**ZEDOX® Thread Connection high performance valve with pneumatic rotary actuator AIR-TORQUE**



Shown in standard orientation of the actuator

DN	80	100	125	150	200	250	300	350	400	450	500
----	----	-----	-----	-----	-----	-----	-----	-----	-----	-----	-----

Dimensions												
E	(mm)	118	135	154	170	202	231	273	305	333	358	394
H1 <sup>1)</sup>	(mm)	402	447	477	546	615	714	837	891	1074	1102	1172
P1 <sup>1)</sup>	(mm)	333	395	423	474	528	605	812	855	950	950	950
P2 <sup>1)</sup>	(mm)	147	166	181	200	222	262	371	418	528	528	528

**Type of actuator for max. differential pressure 16 bar <sup>2)</sup>**

Actuator Type	TS	SC00220-5/6	SC00450-4	SC00450-5/6	SC00600-5/6	SC01200-5	SC02000-5	SC3000-5	SC4000-5/6	SC10000-4	SC10000-4/5	on request
Spring closes flow from disc side actuating pressure actuator 5 bar	TS	SC00220-5/6	SC00450-4	SC00450-5/6	SC00600-5/6	SC01200-5	SC02000-5	SC3000-5	SC4000-5/6	SC10000-4	SC10000-4/5	on request
	CS	SC00300-5/6	SC00450-5	SC00600-5/6	SC00900-5	SC01200-5/6	SC02000-5/6	SC4000-5	SC05000-5/6	SC10000-4	SC10000-5/6	on request
Spring closes low from disc side actuating pressure actuator 6 bar	TS	SC00220-5/6	SC00300-6	SC00450-5/6	SC00600-5/6	SC01200-5	SC02000-5	SC3000-5	SC4000-5/6	SC05000-6	SC10000-4/5	on request
	CS	SC00300-5/6	SC00450-5	SC00600-5/6	SC00900-5	SC01200-6	SC02000-6	SC4000-5	SC05000-5/6	SC10000-4	SC10000-5/6	on request
Spring closes flow from shaft side actuating pressure actuator 5 bar	TS	SC00220-4/5	SC00300-5	SC00450-4/5	SC00600-4/5	SC00900-5/6	SC02000-4	SC03000-4	SC04000-4/5	SC05000-5	SC10000-4	SC10000-5/6
	CS	SC00220-5/6	SC00450-4	SC00450-5/6	SC00600-5/6	SC001200-5	SC02000-5	SC03000-5/6	SC04000-5/6	SC10000-4	SC10000-4/5	on request
Spring closes flow from shaft side actuating pressure actuator 6 bar	TS	SC00220-4/5	SC00300-5	SC00450-4/5	SC00450-6	SC00900-5/6	SC02000-4	SC02000-6	SC04000-4/5	SC05000-5	SC10000-4	SC10000-5/6
	CS	SC00220-5/6	SC00450-4	SC00450-5/6	SC00600-5/6	SC001200-5	SC02000-5	SC03000-5/6	SC04000-5/6	SC05000-6	SC10000-4/5	on request

**Weights with pneumatic actuator <sup>1)</sup>**

Fig. No.	Pattern	(kg)	24	33	42	63	84	123	233	274	388	439	499
1.0619+QT Fig. 34./35.123	short pattern	(kg)	24	33	42	63	84	123	233	274	388	439	499
	middle pattern	(kg)	25	34	42	65	87	125	234	282	-	-	-
1.4408 Fig. 54./55.123	short pattern	(kg)	28	33	42	63	84	123	233	274	389	440	500
	middle pattern	(kg)	28	34	43	65	87	126	234	282	-	-	-

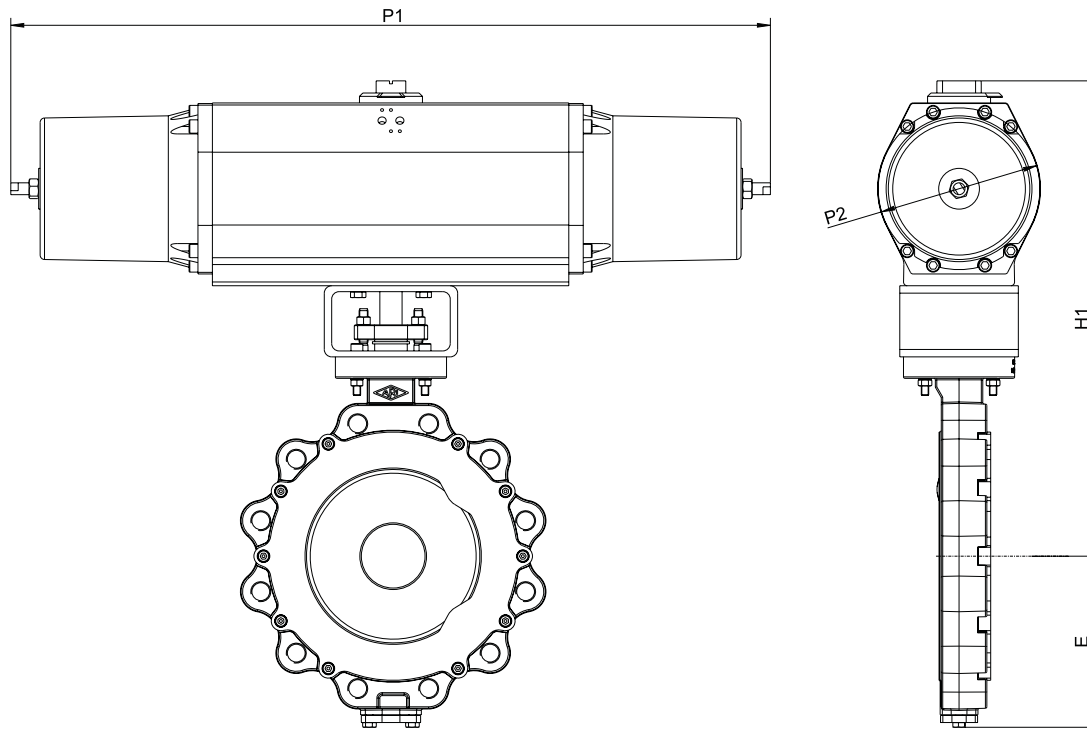
For steam duty use the next actuator up

<sup>1)</sup> with largest actuator option

<sup>2)</sup> other differential pressures on request

Actuator bigger than DN 500 on request

ZEDOX® Thread Connection high performance valve with pneumatic actuator Rotork RC



Shown in standard orientation of the actuator

DN		80	80 (PN 40)	100	125	150	200	250	300	350	400 <sup>2)</sup>	450 <sup>2)</sup>	500 <sup>2)</sup>
<b>Dimensions</b>													
E	(mm)	118	118	135	154	170	202	231	273	305	333	358	394
H1 <sup>1)</sup>	(mm)	393	393	418	429	453	602	648	897	924	969	787	1067
P1 <sup>1)</sup>	(mm)	375	570	570	570	570	655	1020	1020	1020	1020	600	600
P2 <sup>1)</sup>	(mm)	144	144	144	144	144	220	220	220	220	220	380	380
Type of actuator spring closes <sup>1)</sup>		RC250-SR	RC260-SR	RC260-SR	RC260-SR	RC260-SR	RC270-SR	RC280-SR	RC88-SR	RC88-SR	RC88-SR	RCG100	RCG100
Type of actuator double acting <sup>1)</sup>		RC230-DA	RC230-DA	RC240-DA	RC240-DA	RC250-DA	RC260-DA	RC260-DA	RC270-DA	RC280-DA	RC280-DA	RC280-DA	RC88-DA

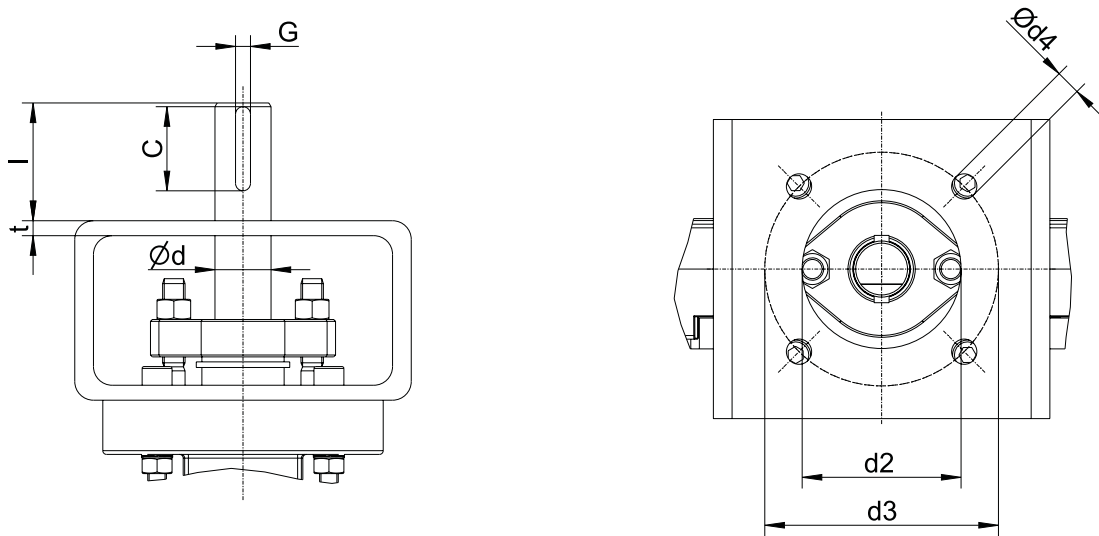
<b>Weights with pneumatic actuator</b>															
1.0619+QT	Fig. 34./35.123	short pattern	(kg)	28	33	37	41	51	100	137	231	255	304	267	351
		middle pattern	(kg)	28	33	37	42	53	102	139	232	263	-	-	-
1.4408	Fig. 54./55.123	short pattern	(kg)	31	36	37	41	51	100	137	231	256	305	268	352
		middle pattern	(kg)	31	36	37	42	54	103	140	232	264	-	-	-

<sup>1)</sup> At air pressure 6 bar

<sup>2)</sup> Δ P max = 16 bar

Actuator bigger than DN 500 on request

Actuator flange connection, with 2 parallel keys 180° rotated



DN		80	100	125	150	200	250	300	350	400	450	500	600	700	800
Connection EN ISO 5211		F07			F10	F12		F14		F16			F25	F30	
Ød (stem diameter)	(mm)	15	20	20	25	25	30	35	40	50	50	60	70	70	90
Ød2 (inside diameter)	(mm)	55			70	85		100		130			200	230	
Ød3 (screw-hole circle diameter)	(mm)	70			102	125		140		165			254	298	
n x Ød4 (Number x hole-Ø)	(mm)	4x9			4x11	4x14		4x18		4x22			8x18	8x22	
C (parallel key length)	(mm)	25	36	36	45	45	45	45	50	63	63	90	110	110	125
G (parallel key width)	(mm)	5	6	6	8	8	8	10	12	14	14	18	20	20	25
l (bare stem length)	(mm)	45	52	52	58	58	63	69	75	86	83	103	119	119	125
t (mounting bracket wall thickness)	(mm)	8	8	8	8	8	8	8	8	8	8	8	14	14	14

Kvs-value / Zeta-value		80	100	125	150	200	250	300	350	400	450	500	600	700	800
DN		80	100	125	150	200	250	300	350	400	450	500	600	700	800
Kvs-value	(m³/h)	187	291	609	888	1944	3498	4949	7272	11220	16800	20165	29070	34200	41250
Zeta-value	--	1,87	1,89	1,05	1,03	0,68	0,51	0,53	0,45	0,33	0,23	0,25	0,25	0,33	0,38

Difference between disc outside-diameter and face-to-face		80	100	125	150	200	250	300	350	400	450	500	600	700	800
DN		80	100	125	150	200	250	300	350	400	450	500	600	700	800
B	(mm)	20	27	38	50	73	97	110	138	150	172	192	219	260	300
D	(mm)	66	83	108	134	185	236	280	333	378	429	475	567	665	759

