

Hose pinch valve with pneumatic actuator

- Adaptable with CLASSIC or ELEMENT actuators and corresponding Bürkert automation components
- Simple one-handed operation of the locking mechanism
- Customisable to different hose dimensions

Product variants described in the data sheet may differ from the product presentation and description.

Can be combined with

	Type 8690 Pneumatic control unit for decentralised automation of process valves ELEMENT	▶
	Type 8691 Control head for decentralised automation of ELEMENT process valves	▶
	Type 8652 AirLINE – the valve island optimised for process automation	▶
	Type BBS-04 Platinum-cured peroxide-free silicone hose	▶

Type description

The externally controlled hose pinch valve Type 2707 consists of a pneumatic actuator (optionally ELEMENT or CLASSIC), a housing with compressor and an interchangeable hose holder that can be adapted to the tubing size. The Bürkert hose pinch valve has been specifically designed for single-use applications in biopharmaceutical production processes. Typical applications include chromatography skids, tangential flow filtration skids (TFF), single-use bioreactors, as well as filling and dosing skids. Installation on racks, e.g. for transfer and/or distribution. Manufactured for modulating applications (ELEMENT actuator) or on/off applications (CLASSIC actuator). Compressor and hose holder can be replaced with a few simple hand movements, allowing the pinch valve to be adapted to different hose dimensions. Compact, smooth-surfaced, highly integrated system of valve and automation unit. High chemical resistance.

DTS 1000643724 EN Version: E Status: RL (released | freigegeben | valide) printed: 16.12.2025

Table of contents

1. General technical data	3
<hr/>	
2. Approvals and conformities	4
2.1. General notes	4
2.2. Conformity	4
2.3. Standards	4
2.4. Explosion protection.....	4
<hr/>	
3. Materials	5
3.1. Bürkert resistApp	5
3.2. Material specifications	5
<hr/>	
4. Dimensions	6
4.1. Overview	6
4.2. General dimensions.....	7
<hr/>	
5. Ordering information	8
5.1. Bürkert eShop	8
5.2. Bürkert product filter	8
5.3. Bürkert Product Enquiry Form	8
5.4. Ordering chart	9

DTS 1000643724 EN Version: E Status: RL (released | freigegeben | valide) printed: 16.12.2025

1. General technical data

Product properties	
Dimensions	Further information can be found in chapter "4. Dimensions" on page 6.
Material	
Block body	Stainless steel A351 Gr.CF3 M
Tube	Provided by customer
CLASSIC	
Actuator	PA
Classic stainless steel	
Actuator	Stainless steel 1.4404
ELEMENT	
Actuator	PPS
Actuator casing	Stainless steel 1.4561 (316Ti)
Performance data	
Operating pressure	See tube manufacturer's specifications
Pilot pressure ¹⁾	4.3...10.0 bar (actuator size D/actuator variant C) 4.5...10.0 bar (actuator size E/actuator variant C) 5.2...10.0 bar (actuator size D/actuator variant G/pilot air port FA01 and FA02) 5.0...10.0 bar (actuator size M/actuator variant G/pilot air port FA01 and FA02) 5.5...7.0 bar (actuator size D and M/actuator variant G/pilot air port FA03) 5.0...7.0 bar (actuator size G/actuator variant H)
Medium data	
Operating medium	See tube manufacturer's specifications
Control medium	Neutral gases, air
Medium temperature	See tube manufacturer's specifications
Product connections	
Outer hose diameter	6.35 mm...38.1 mm (¼"...1½")
Inner hose diameter	3.18 mm...25.4 mm (⅛"...1")
Further information can be found in chapter "4. Dimensions" on page 6.	
Environment and installation	
Ambient temperature	Actuator: 0...+ 60 °C Tube: see tube manufacturer's specification

1.) Further variants on request

2. Approvals and conformities

2.1. General notes

- The approvals and conformities listed below must be stated when making enquiries. This is the only way to ensure that the product complies with all required specifications.
- Not all available variants can be supplied with the below mentioned approvals or conformities.



2.2. Conformity

In accordance with the Declaration of Conformity, the product is compliant with the EU Directives.

2.3. Standards

The applied standards which are used to demonstrate compliance with the EU Directives are listed in the EU-Type Examination Certificate and/or the EU Declaration of Conformity.

2.4. Explosion protection

Approval	Description																
 	<p>Optional: Explosion protection (valid for the variable code PX51) As a category 2 device suitable for zone 1/21 and zone 2/22.</p> <p>ATEX: EPS 18 ATEX 2 008 X II 2G Ex h IIC T4...T2 Gb II 2D Ex h IIC T135 °C...T300 °C Db</p> <p>IECEx: IECEx EPS 18.0007X Ex h IIC T4...T2 Gb Ex h IIC T135 °C...T300 °C Db</p> <table border="1"> <thead> <tr> <th>Temperature class</th> <th>T2</th> <th>T3</th> <th>T4</th> </tr> </thead> <tbody> <tr> <td>Maximum surface temperature</td> <td>+ 300 °C</td> <td>+ 200 °C</td> <td>+ 135 °C</td> </tr> <tr> <td>Ambient temperature</td> <td>- 40...+ 130 °C</td> <td>- 40...+ 130 °C</td> <td>- 40...+ 100 °C</td> </tr> <tr> <td>Maximum medium temperature</td> <td>+ 285 °C</td> <td>+ 185 °C</td> <td>+ 125 °C</td> </tr> </tbody> </table> <p>Note: The ambient and medium temperature range may be limited by non-ex-relevant specifications. Observe the Operating Instructions.</p>	Temperature class	T2	T3	T4	Maximum surface temperature	+ 300 °C	+ 200 °C	+ 135 °C	Ambient temperature	- 40...+ 130 °C	- 40...+ 130 °C	- 40...+ 100 °C	Maximum medium temperature	+ 285 °C	+ 185 °C	+ 125 °C
Temperature class	T2	T3	T4														
Maximum surface temperature	+ 300 °C	+ 200 °C	+ 135 °C														
Ambient temperature	- 40...+ 130 °C	- 40...+ 130 °C	- 40...+ 100 °C														
Maximum medium temperature	+ 285 °C	+ 185 °C	+ 125 °C														

DTS 1000643724 EN Version: E Status: RL (released | freigegeben | valide) printed: 16.12.2025

3. Materials

3.1. Bürkert resistApp



Bürkert resistApp – Chemical resistance chart

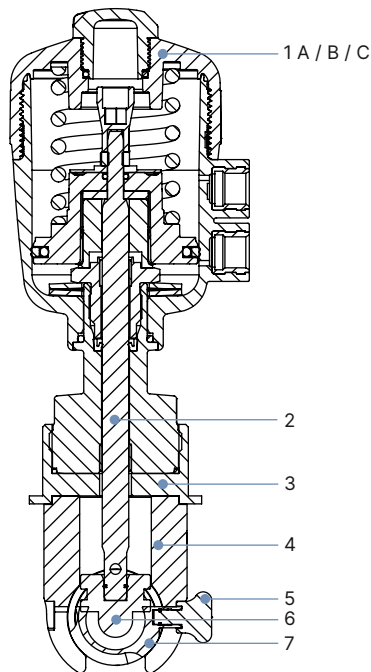
You want to ensure the reliability and durability of the materials in your individual application case? Verify your combination of media and materials on our website or in our resistApp.

[Start chemical resistance check](#)

3.2. Material specifications

Note:

The exemplary representation may differ from the actual product.



No.	Element	Material
1A	CLASSIC actuator	See "1. General technical data" on page 3
1B	ELEMENT actuator	See "1. General technical data" on page 3
1C	VA variant	See "1. General technical data" on page 3
2	Spindle	Stainless steel 316L
3	Mounting plate	Stainless steel 316L
4	Valve body	Stainless steel 316L
5	Handle	Stainless steel 316L
6	Compressor piece	Stainless steel 316L
7	C-shape holder	Stainless steel 316L

4. Dimensions

4.1. Overview

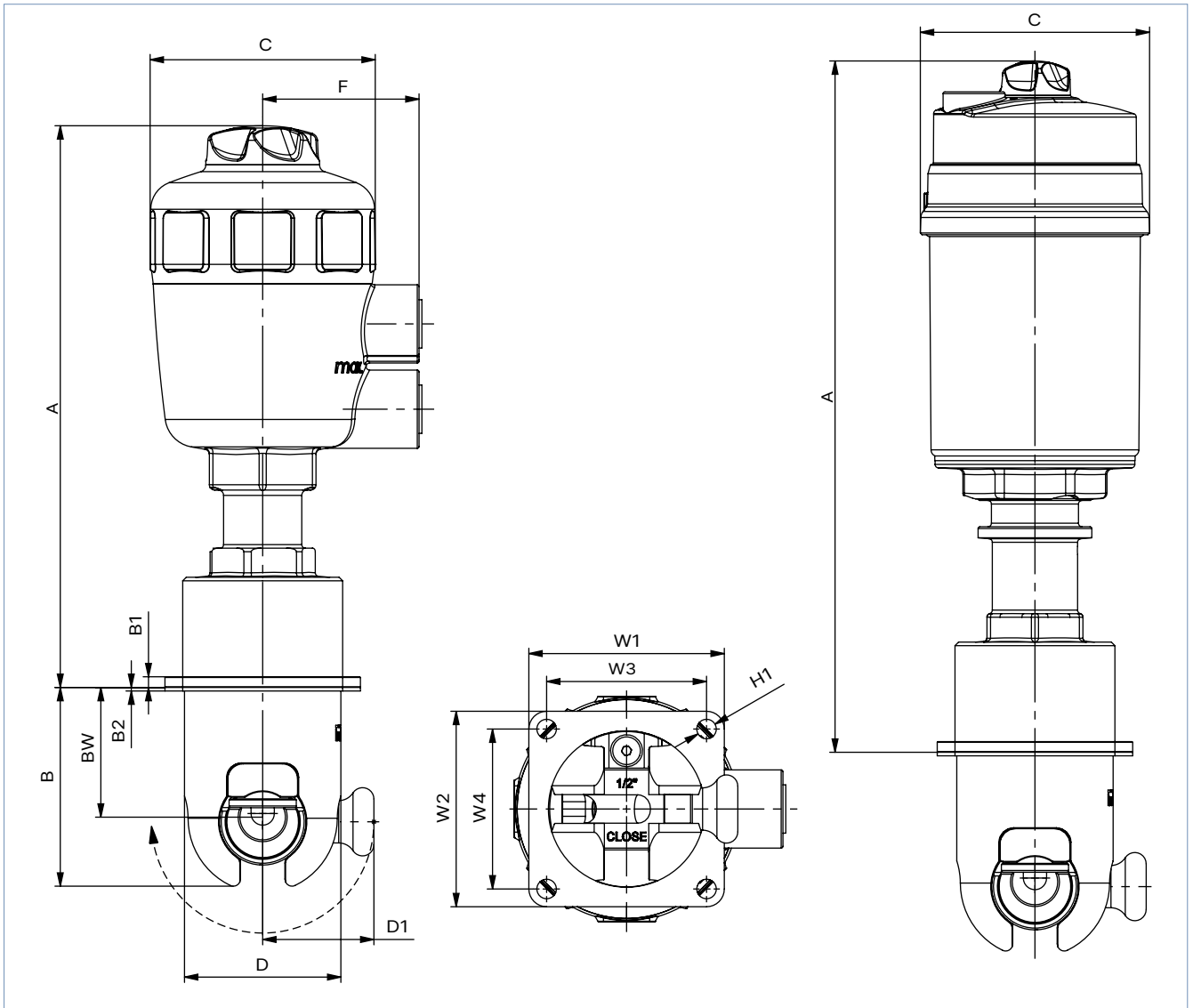
Actuator size	Tube inside diameter	Tube outside diameter													
	[mm]	6.35	9.53	11.1	12.7	15.8	19.1	22.3	25.4	28.6	30.2	31.8	35.0	35.7	38.1
	[inch]	¼"	⅜"	⅞"	½"	⅝"	¾"	⅞"	1"	1⅛"	1⅜"	1¼"	1⅜"	1⅜"	1½"
50 (D)	3.18 (1/8")	X	X	-	-	-	-	-	-	-	-	-	-	-	-
	6.35 (1/4")	-	X	X	X	-	-	-	-	-	-	-	-	-	-
63 (E), 70 (M)	9.53 (3/8")	-	-	-	-	X	-	-	-	-	-	-	-	-	-
	12.7 (1/2")	-	-	-	-	-	X	X	-	-	-	-	-	-	-
100 (G)	15.8 (5/8")	-	-	-	-	-	-	-	o. r.	-	-	-	-	-	-
	19.1 (3/4")	-	-	-	-	-	-	-	-	o. r.	o. r.	-	-	-	-
	25.4 (1")	-	-	-	-	-	-	-	-	-	-	o. r.	o. r.	o. r.	o. r.

X = available

- = not available

o. r. = on request

4.2. General dimensions



Valve actuator series	Actuator size	Valve mounting	A	B	B1	B2	BW	C	D	D1	F	W1	W2	W3	W4	H1	R1	R2
CLASSIC	50 (D)	PA	158	56	3	1	36 ¹⁾	63	44	31.5	44	55	55	45	45	5.5	-	-
	63 (E)	PA	187	64	3	1	43 ¹⁾	80	54	36.5	50.5	65	65	55	55	5.5	-	-
ELEMENT	50 (D)	PA	195	56	3	1	36 ¹⁾	80	44	31.5	-	55	55	45	45	5.5	-	-
	70 (M)	PA	211	64	3	1	43 ¹⁾	91	54	36.5	-	65	65	55	55	5.5	-	-
	70 (M)	PB	211	64	3	1	43 ¹⁾	91	54	36.5	-	-	-	55	55	5.5	89.5	77.8
VA-actuator	100 (G)	PC	276	84.5	4.5	1	54	104	74	46.5	-	-	-	-	-	6.5	125	106
		PD	276	86	4.5	1	54	104	80	49.5	-	-	-	-	-	6.5	125	106

1) Average measure

DTS 1000643724 EN Version: E Status: RL (released | freigegeben | valide) printed: 16.12.2025

5. Ordering information

5.1. Bürkert eShop



Bürkert eShop – Easy ordering and quick delivery

You want to find your desired Bürkert product or spare part quickly and order directly? Our online shop is available for you 24/7. Sign up and enjoy all the benefits.

[Order online now](#)

5.2. Bürkert product filter



Bürkert product filter – Get quickly to the right product

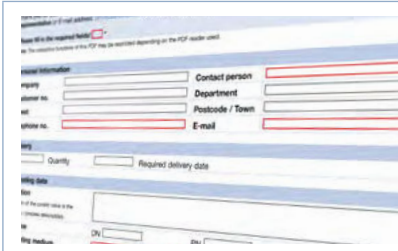
You want to select products comfortably based on your technical requirements? Use the Bürkert product filter and find suitable articles for your application quickly and easily.

[Try out our product filter](#)

5.3. Bürkert Product Enquiry Form

Note:

Please see our Product Enquiry Form for a full explanation of our specification key.



Bürkert Product Enquiry Form – Your enquiry quickly and compactly

Would you like to make a specific product enquiry based on your technical requirements? Use our Product Enquiry Form for this purpose. There you will find all the relevant information for your Bürkert contact. This will enable us to provide you with the best possible advice.

[Fill out the form now](#)

DTS 1000643724 EN Version: E Status: RL (released | freigegeben | valide) printed: 16.12.2025

5.4. Ordering chart

Valve actuator series	Description	Article no.
CLASSIC	2707-A2 - 0603VV-PA00-VA-C-D-E0N3-AB02	93219096
	2707-A2 - 0903VV-PA00-VA-C-D-E0N3-AB02	93219107
	2707-A2 - 1206VV-PA00-VA-C-D-E0N3-AB02	93219108
	2707-A2 - 0906VV-PA00-VA-C-D-E0N3-AB02	93219109
	2707-A2 - 1106VV-PA00-VA-C-D-E0N3-AB02	93219110
	2707-A2 - 2212VV-PA00-VA-C-E-E1N4-AB02	93219099
	2707-A2 - 1509VV-PA00-VA-C-E-E1N4-AB02	93219111
	2707-A2 - 1912VV-PA00-VA-C-E-E1N4-AB02	93219112
ELEMENT	2707-A2 - 0603VV-PA00-VA-G-D-E1N3-FA01	93219991
	2707-A2 - 0903VV-PA00-VA-G-D-E1N3-FA01	93219992
	2707-A2 - 0906VV-PA00-VA-G-D-E1N3-FA01	93219993
	2707-A2 - 1106VV-PA00-VA-G-D-E1N3-FA01	93219994
	2707-A2 - 1206VV-PA00-VA-G-D-E1N3-FA01	93219995
	2707-A2 - 1509VV-PA00-VA-G-M-E1N4-FA01	93219996
	2707-A2 - 1912VV-PA00-VA-G-M-E1N4-FA01	93219997
	2707-A2 - 2212VV-PA00-VA-G-M-E1N4-FA01	93219998
Stainless steel	2707-A2 - 2515VV-PC00-VA-H-G-E2N6-AB01	93219174
	2707-A2 - 2819VV-PC00-VA-H-G-E2N6-AB01	93219173
	2707-A2 - 3019VV-PC00-VA-H-G-E2N6-AB01	93219172
	2707-A2 - 3425VV-PD00-VA-H-G-E2N6-AB01	93219171
	2707-A2 - 3825VV-PD00-VA-H-G-E2N6-AB01	93219170

Explanation of the product key

Key feature	Type TYP	Control function SF	Paths/positions WS	Tube diameter ODID	Pinch valve material WKSQ	Interface variant SAA2
Key no.	1	2	3	4	5	6

Key feature	Seal material	Material	Actuator variant	Actuator size	Interface at actuator	Interface housing/actuator	Pilot air connection
	DWST	WKST	ANTA	ANTG	SAA1	SAA	STLA
Key no.	7	8	9	10	11	12	13

Key no. 1: Type (TYP)	
Type 2707	Pinch valve

Key no. 2: control function (SF)	
A	Closed by spring force
B ¹⁾	Opened by spring force
I ¹⁾	Without compression spring

1.) On request

Key no. 3: paths / positions (WS)	
2	2 ways / 2 positions

DTS 1000643724 EN Version: E Status: RL (released | freigegeben | valide) printed: 16.12.2025

Key no. 4: tube diameter (ODID)		
Product keys for tube	Tube outside diameter	Tube inside diameter
0603	6.35 mm (¼")	3.18 mm (⅛")
0903	9.53 mm (⅜")	3.18 mm (⅛")
0906	9.53 mm (⅜")	6.35 mm (¼")
1106	11.13 mm (⅞")	6.35 mm (¼")
1206	12.70 mm (½")	6.35 mm (¼")
1509	15.88 mm (⅝")	9.53 mm (⅜")
1912	19.10 mm (¾")	12.70 mm (½")
2212	22.23 mm (⅞")	12.70 mm (½")
2515	25.40 mm (1")	15.88 mm (⅝")
2819	28.58 mm (1 ⅛")	19.1 mm (¾")
3019	30.16 mm (1 ⅜")	19.1 mm (¾")
3125	31.75 mm (1 ⅜")	25.40 mm (1")
3425	34.93 mm (1 ¼")	25.40 mm (1")
3525	35.69 mm (1 ⅜")	25.40 mm (1")
3825	38.10 mm (1 ½")	25.40 mm (1")

Key no. 5: pinch valve material (WKSQ)	
VV	Stainless steel body, stainless steel holder

Key no. 6: interface variant (SAA2)	
PA	Pinch valve, squared mounting flange, 4 holes
PO	Pinch valve, without mounting flange
PB	Pinch valve, round mounting flange, 8 holes, connection N4
PC	Pinch valve, round mounting flange, 8 holes, connection N6, small
PD	Pinch valve, round mounting flange, 8 holes, connection N6, big

Key no. 7: seal material (DWST)	
00	Without seal or no explanation

Key no. 8: material (WKST)	
VA	Stainless steel

Key no. 9: actuator variant (ANTA)	
C	PA actuator, stainless steel threaded bushing at pilot air connection
G	ELEMENT design actuator
H	VA variant

Key no. 10: actuator size (ANTG)	
D	Ø 50
E	Ø 63
M	Ø 70
G	Ø 100

Key no. 11: interface at actuator (SAA1)	
E0	Spindle D08
E1	Spindle D10
E2	Spindle D14

Key no. 12: interface (SAA)

N3	M40 × 1,5
N4	M50 × 2
N6	M70 × 2

Key no. 13: pilot air connection (STLA)

AB01	G 1/8" thread, sleeve
AB02	G 1/4" thread, sleeve
FA01	Pilot air ports: external push-in connectors 6 mm or 1/4"
FA02	Pilot air ports: G 1/8" thread
FA03	Interface ELEMENT-top and remote sensor to ELEMENT-actuator