

# Sanitary resistance temperature detector

**Model : R231 single element**  
**R232 double element**

Spec. sheet no. RD02-04

## Service intended

Sanitary RTDs can measure temperature from -50 to 200 °C. These sensors are available in Tri-clamp design with the immersion length from 50 to 250 mm. The wetted part of this assembly is polished to exceed No.4 minimum finish which is required by 3-A sanitary council standard #74-07.



## Element

Pt 100  $\Omega$  at 0 °C  
TCR : 3,850 ppm/k

## Tolerances on temperature reading

Class A :  $\pm (0.15 + 0.002 | t |)$   
Class B :  $\pm (0.3 + 0.005 | t |)$   
\* t : Reading temperature (°C)

## Element and lead wire configurations

Single element : 2, 3 and 4 wire  
Double element : 4 and 6 wire



## Standard features

### Head type

Weatherproof (ALDC)  
Weatherproof (304SS)

### Process connection

Tri - clamp connection  
1, 1½ and 2S

### Stem material

304SS, 316SS, 316L SS

**WISE**<sup>®</sup>

## Main order

## Ordering information

### 1. Base model

- R231** Sanitary resistance temperature detector  
(Single element)
- R232** Sanitary resistance temperature detector  
(Double (Duplex) element)

### 2. Head type

- A** Weatherproof (ALDC)
- B** Weatherproof (304SS)

### 3. Element (Tolerance)

- Q** Pt 100 Ω (B), 3 Wire
- A** Pt 100 Ω (B), 4 Wire
- 9** Pt 100 Ω (A), 3 Wire
- C** Pt 100 Ω (A), 4 Wire

### 4. Insertion type / Material

- 0** Tube type / 304SS
- 1** Tube type / 316SS
- 2** Sheath type / 316L SS
- 9** Other

### 5. Insertion outer diameter (mm)

- E9** 4.8 (Sheath type only)
- F9** 6.4 (Not applicable to tube type double elements)
- G9** 8.0
- J9** 10.0 (Tube type only)
- K9** 12.0 (Tube type only)

### 6. Conduit connection

- 1** ½" PF
- 2** ½" PT
- 3** ½" NPT
- 4** ¾" PF
- 5** ¾" PT
- 6** ¾" NPT
- 7** None
- 8** M20 x 1.5P
- 9** Other

### 7. Lag length (mm)

- G** 80
- H** 100
- J** 150

### 8. Connection size and material

- T** 1S and 316SS
- V** 1½S and 316SS
- W** 2S and 316SS

### 9. Connection type

- A** Tri - clamp

### 10. Insert length (mm)

- A** 100
- B** 200
- C** 300
- D** 400
- E** 500
- F** 600
- G** 700
- H** 800
- J** 900
- K** 1,000

### 11. Option

- 0** None
- 1** Accessories

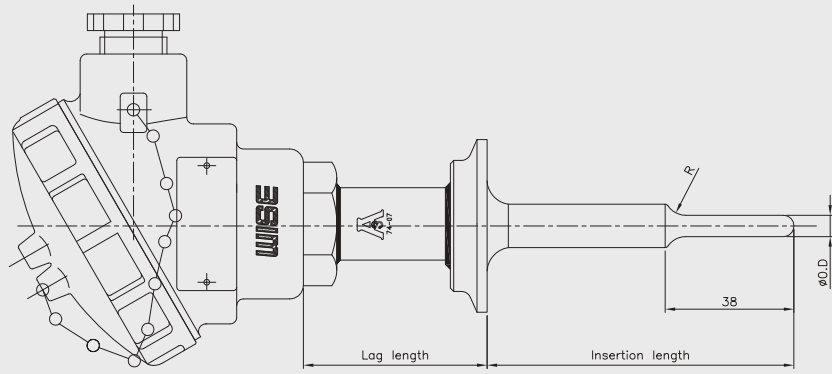
### Sample ordering code

1	2	3	4	5	6	7	8	9	10	11
R231	A	Q	1	F9	1	G	T	A	A	0

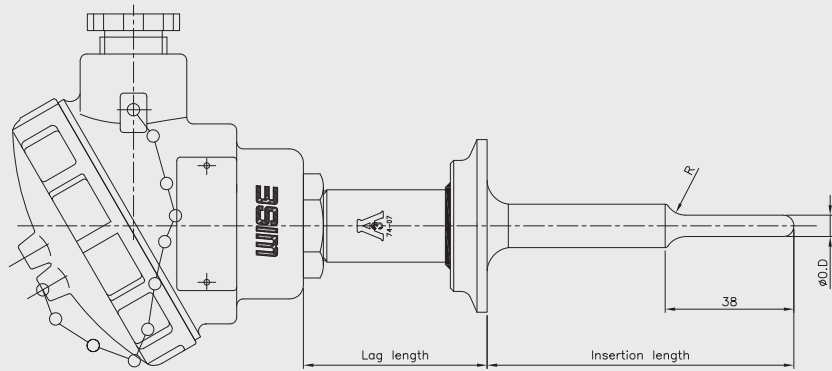


© WISE Control Inc. All rights reserved. ALL PRODUCT, PRODUCT SPECIFICATIONS AND DATA ARE SUBJECT TO CHANGE WITHOUT NOTICE TO IMPROVE RELIABILITY, FUNCTION OR DESIGN OR OTHERWISE.

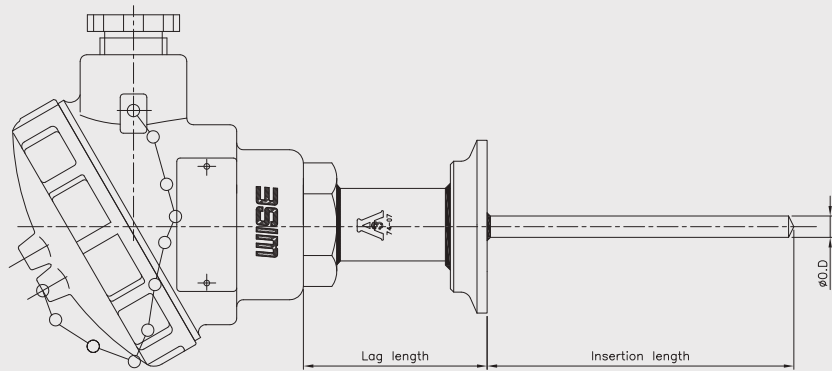
## R231, R232 : Outline drawing



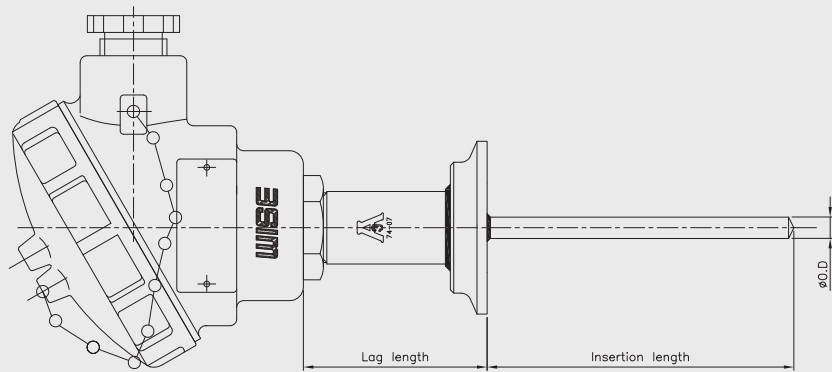
Weatherproof(304SS), Tube type



Weatherproof(ALDC), Tube type



Weatherproof(304SS), Sheath type



Weatherproof(ALDC), Sheath type

**Memo**

Large empty rectangular box for writing a memo.