

# Indicating temperature switch

**Model : T931 (Case compensation system SAMA class IIIB)**

**Model : T932 (Full compensation system SAMA class IIIA)**

Spec. sheet no. TD09-02

## Service intended

This temperature switch is installed with a micro contact and it is suitable for measuring the temperature of corrosive fluid. Dead band is fixed.

## Nominal diameter

150 mm

## Repeatability

±1.0 % of adjustable range

## Accuracy

±2.0 % of full scale

## Measuring system

Gas : T931 : -200 ~ 700 °C

T932 : 0 ~ 200 °C

## Working range

Maximum scale value



## Standard features

### Location of stem and mounting

Bottom connection, surface, case mounting

### Case

Silver gray finished

### Cover

Silver gray finished

### Window

Instrument glass

### Switch type

Micro switch snap action

### Switch form

One SPDT for single setpoint

Two SPDT for dual setpoint

### Capillary

Capillary : 1.6/0.2 mm, 316SS

Armored tube : 7.5/5.5 mm, 304SS

### Contacts

AC 125 V / 250 V, 15 A

DC 125 V, 0.4 A for resistance load

DC 125 V, 0.03 A for inductive load

### Conduit connection

1/2", 3/4" PF

### Stem

8.0, 10.0 and 12.0 mm

316SS and 316L SS

### Stem, process connection

3/8", 1/2", 3/4" PT, NPT and PF

### Option

Special accuracy : ±1.0 % of full scale

**1. Base model**

- T931** Indicating temperature switch  
(Case compensation system)
- T932** Indicating temperature switch  
(Full compensation system)

**2. Switch form**

- 1** One SPDT contact for single setpoint
- 2** Two SPDT contact for dual setpoint

**3. Type of mounting**

- B** Bottom connection, surface, case mounting plate

**4. Stem material**

- 1** 316SS
- 2** 316L SS

**5. Stem, process connection**

- A** None
- D** 3/8"
- E** 1/2"
- F** 3/4"

**6. Stem connection type (CF: Compression fitting)**

- A** None
- E** CF + PT
- F** CF + NPT
- G** CF + PF
- H** MT + PT (Movable thread)
- I** MT + NPT (Movable thread)
- J** MT + PF (Movable thread)

**7. Stem outer diameter (mm)**

- 2** 8.0
- 3** 10.0
- 4** 12.0
- Z** Other

**8. Range**

- XXX** Refer to scale range table

**9. Capillary length (m)**

- A** Direct mounting type
- P** 2
- Q** 3
- S** 5
- V** 8
- X** 10
- Z** Other

**10. Accessories**

- 0** None
- 1** Thermowell
- 2** Special accuracy (±1.0 % of full scale)
- 3** Thermowell and special accuracy

**Sample ordering code**

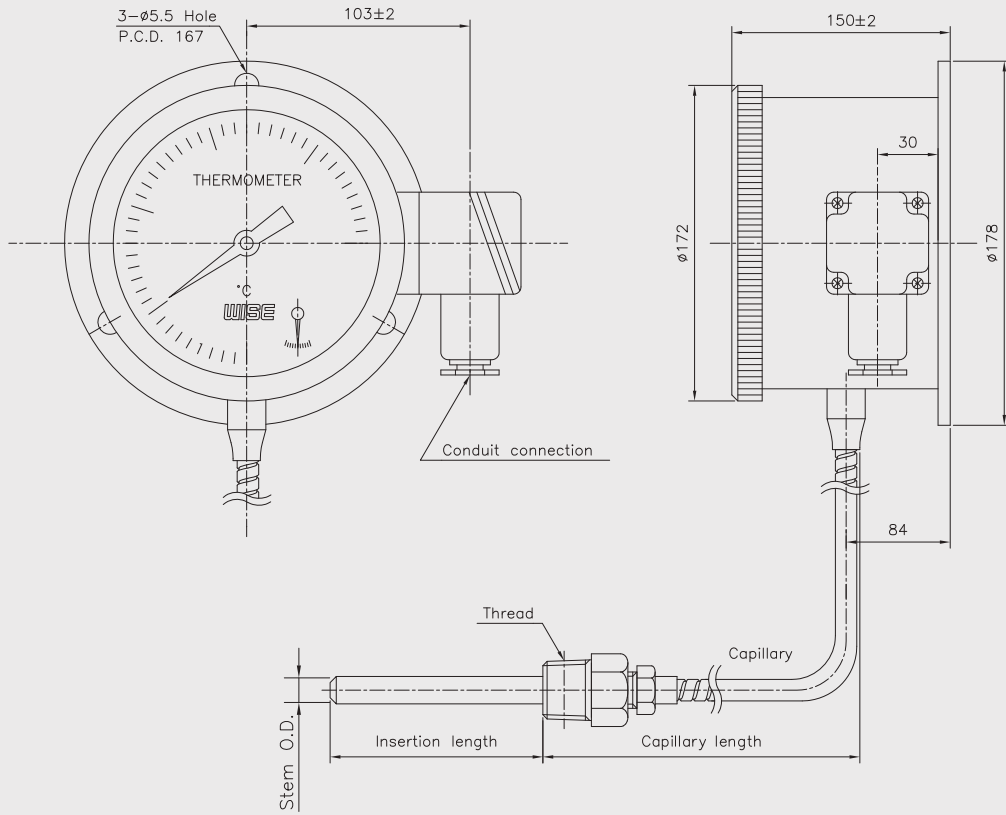
1	2	3	4	5	6	7	8	9	10
T931	1	B	1	E	C	3	XXX	P	1



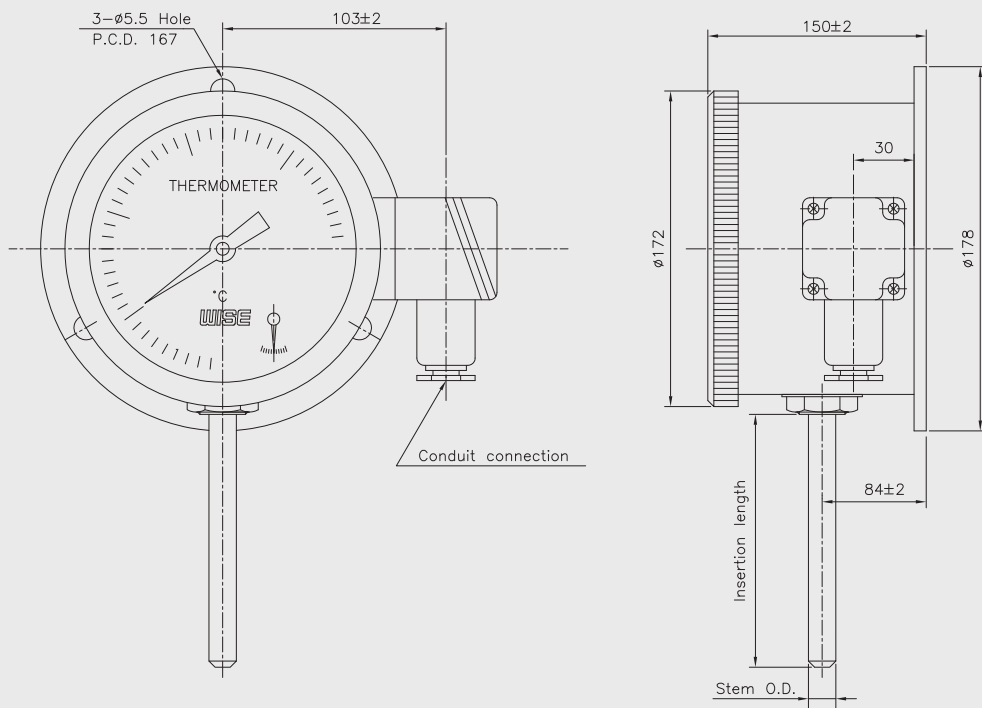
© WISE Control Inc. All rights reserved. ALL PRODUCT, PRODUCT SPECIFICATIONS AND DATA ARE SUBJECT TO CHANGE WITHOUT NOTICE TO IMPROVE RELIABILITY, FUNCTION OR DESIGN OR OTHERWISE.

# T931, T932 : Type of mounting

Code B



Code B



## Scale ranges

Code	Scale range (°C)	Scale spacing(°C)	Minimum stem length (mm)					
			T931			T932		
			8.0	10.0	12.0	8.0	10.0	12.0
032	-50 ~ 50	2	100	85	65	X	X	X
037	-50 ~ 100	5	100	88	65	X	X	X
054	-30 ~ 50	2	100	85	65	X	140	90
059	-30 ~ 100	2	100	85	65	150	80	60
061	-30 ~ 120	5	100	85	65	150	80	60
069	-20 ~ 50	2	100	85	65	X	160	100
074	-20 ~ 100	2	100	85	65	150	80	60
079	-20 ~ 150	5	100	85	65	150	80	60
084	-10 ~ 50	1	100	85	65	X	180	110
099	0 ~ 50	1	100	85	65	X	190	120
100	0 ~ 60	1	100	85	65	X	180	110
101	0 ~ 70	2	100	85	65	X	160	100
102	0 ~ 80	2	100	85	65	X	140	90
104	0 ~ 100	2	100	85	65	180	100	70
106	0 ~ 120	2	100	85	65	150	80	60
109	0 ~ 150	5	100	85	65	150	80	60
114	0 ~ 200	5	100	85	65	150	80	60
119	0 ~ 250	5	100	85	65	X	X	X
124	0 ~ 300	5	100	85	65	X	X	X
129	0 ~ 350	5	100	85	65	X	X	X
134	0 ~ 400	10	100	85	65	X	X	X
144	0 ~ 500	10	100	85	65	X	X	X
154	0 ~ 600	10	100	85	65	X	X	X
164	0 ~ 700	10	100	85	65	X	X	X

\* 0 ~ 700 °C/Special range

X : Not available

## Insertion length

Code	1	2	3	4	5	6	7	8	9	A	B	C
Length (mm)	50	60	70	80	100	120	130	150	175	200	225	250

Code	D	E	F	G	H	J	K	L	M	N	P
Length (mm)	275	300	350	375	400	450	500	550	1,000	1,500	2,000