

Euro gauge

Liquid filled direct reading thermometer

Model : T259

Spec. sheet no. TD02-11

Service intended

Liquid filled thermometer is used for measuring temperature of corrosive and non-corrosive fluid in all industries. It operates in aggressive and non-aggressive environment. Linear dials and temperature compensate line assure an accurate temperature indication at varying ambient conditions.



Nominal diameter

100 and 160 mm

Accuracy

±2.0 % of full scale

Measuring system (SAMA class IIIB)

Gas : -200 ~ 700 °C

Working range

Maximum scale value

Max. allowable pressure at stem

Under normal static conditions, the stem is designed to withstand up to 2 MPa (20 bar).

However, depending on installation conditions such as vibration, flow velocity, or pressure fluctuations, the use of a thermowell is recommended in high-temperature or high-pressure environments.



Standard features

Location of stem

Bottom connection, direct
Lower back connection, direct

Case

304SS

Cover

304SS
Bayonet type

Window

Tempered safety glass

Dial

White aluminium with black graduation

Pointer

Black painted aluminium alloy

Stem

8.0, 10.0 and 12.0 mm
316SS and 316L SS

Filling liquid

Glycerin or silicone

Stem, process connection

3/8", 1/2", 3/4" PT, NPT and PF

Option

Special accuracy, ±1.0 % of full scale

Certificates

ATEX II 2G Ex h IIC T6...T1 Gb /
ATEX II 2D Ex h IIIC T85°C...T450°C Db

1. Base model

T259 Euro gauge liquid filled direct reading thermometer

2. Nominal diameter (mm)

4 100
6 160

3. Type of mounting

A Bottom connection, direct
G Lower back connection, direct

4. Stem material

1 316SS
2 316L SS

5. Stem, process connection

A None
D 3/8"
E 1/2"
F 3/4"

6. Stem connection type (CF: Compression fitting)

A None
E CF + PT
F CF + NPT
G CF + PF
H MT + PT (Movable thread)
I MT + NPT (Movable thread)
J MT + PF (Movable thread)

7. Stem outer diameter (mm)

2 8.0
3 10.0
4 12.0
Z Other

8. Range

XXX Refer to scale range table

9. Insertion length

X Refer to insertion length table

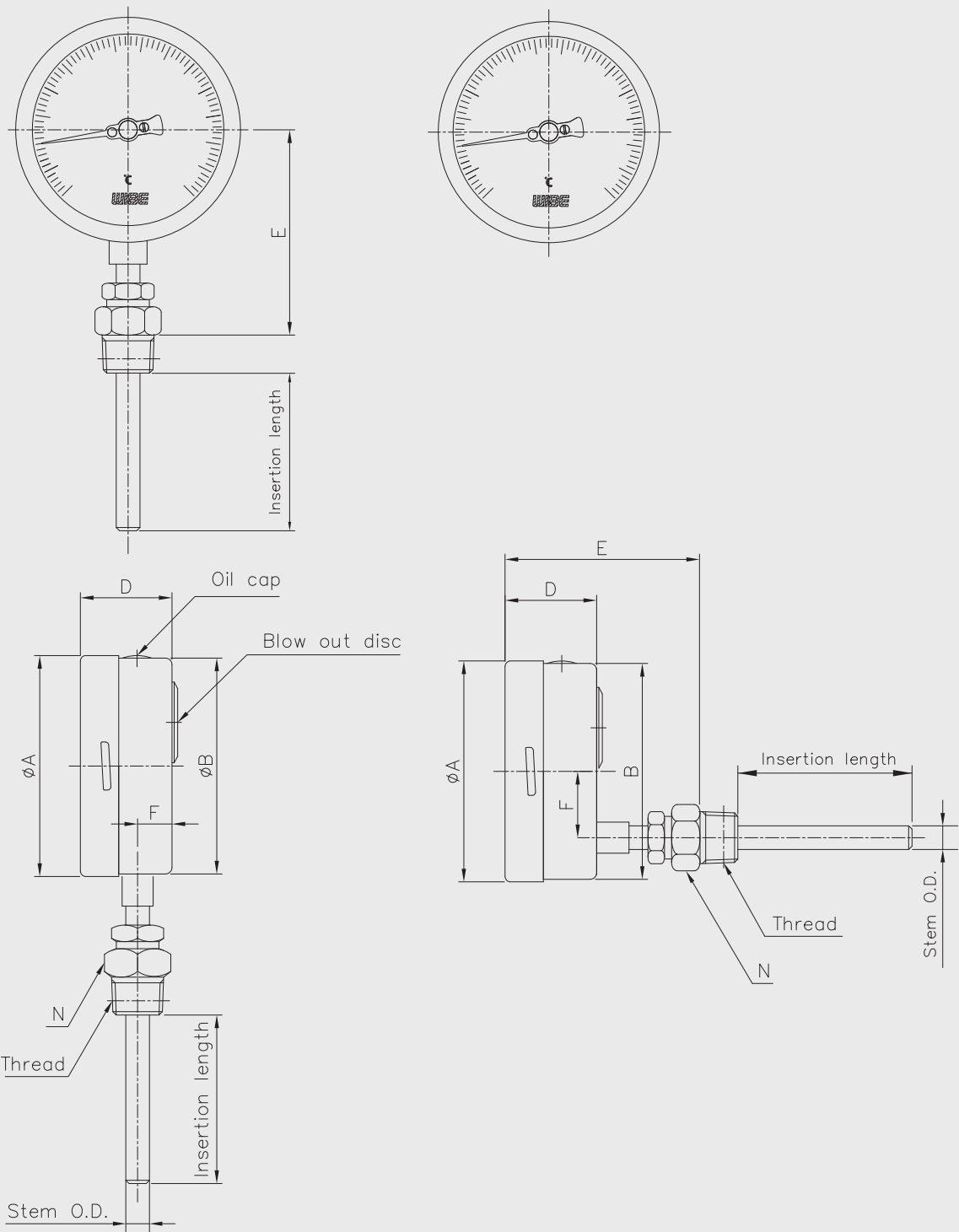
10. Accessories

0 None
1 Thermowell
2 Special accuracy (± 1.0 % of full scale)
3 Thermowell and special accuracy

Sample ordering code

1	2	3	4	5	6	7	8	9	10
T259	4	A	1	E	C	3	XXX	X	1

T259 : Type of mounting



Dimensions (mm)

Dial Size	Available code	A	B	D \pm 2	E \pm 2	F \pm 1
100	A	101.3	99	50	127	16
	G	101.3	99	50	127	16
160	A	160.6	159	52.5	155	15.8
	G	160.6	159	52.5	129.5	15.8

Scale ranges

Code	Scale range (°C)	Scale spacing(°C)	Minimum stem length (mm)			Standard stem length (mm)		
			8.0	10.0	12.0	8.0	10.0	12.0
** 031	-200 ~ 100	5	500	500	500	500	500	500
032	-50 ~ 50	2	100	85	65	200	130	100
037	-50 ~ 100	2	100	88	65	200	130	100
054	-30 ~ 50	2	100	85	65	200	130	100
059	-30 ~ 100	2	100	85	65	200	130	100
061	-30 ~ 120	2	100	85	65	200	130	100
069	-20 ~ 50	2	100	85	65	200	130	100
074	-20 ~ 100	2	100	85	65	200	130	100
079	-20 ~ 150	5	100	85	65	200	130	100
084	-10 ~ 50	1	100	85	65	200	130	100
099	0 ~ 50	1	100	85	65	200	130	100
100	0 ~ 60	1	100	85	65	200	130	100
101	0 ~ 70	2	100	85	65	200	130	100
102	0 ~ 80	2	100	85	65	200	130	100
104	0 ~ 100	2	100	85	65	200	130	100
106	0 ~ 120	2	100	85	65	200	130	100
109	0 ~ 150	2	100	85	65	200	130	100
114	0 ~ 200	5	100	85	65	200	130	100
119	0 ~ 250	5	100	85	65	200	130	100
124	0 ~ 300	5	100	85	65	200	130	100
129	0 ~ 350	5	100	85	65	200	130	100
134	0 ~ 400	10	100	85	65	200	130	100
144	0 ~ 500	10	100	85	65	200	130	100
154	0 ~ 600	10	100	85	65	200	130	100
164	0 ~ 700	10	100	85	65	200	130	100

* 0 ~ 700 °C/Special range

* -200 ~ 100 °C/Special range

** Code 031, bottom connection type can be used more than 500 mm

Insertion length

Code	1	2	3	4	5	6	7	8	9	A	B	C
Length (mm)	50	60	70	80	100	120	130	150	175	200	225	250

Code	D	E	F	G	H	J	K	L	M	N	P
Length (mm)	275	300	350	375	400	450	500	550	1,000	1,500	2,000