

Bimetal thermometer with electrical contact

Model : T751(H), T752(H/L), T753(L), T754(H/HH)

Spec. sheet no. TD07-03

Service intended

Contact type temperature gauge is installed with electric contact actuated by pointer. It provides the function which electrical circuit can be opened or closed by manual setpoint. It is applicable where signal is required (Audible or visual alarm) for control of resistance or any other application with auxiliary relay and contact.

EAC

Nominal diameter

100 mm

Accuracy

±2.0 % of full scale

Temperature element

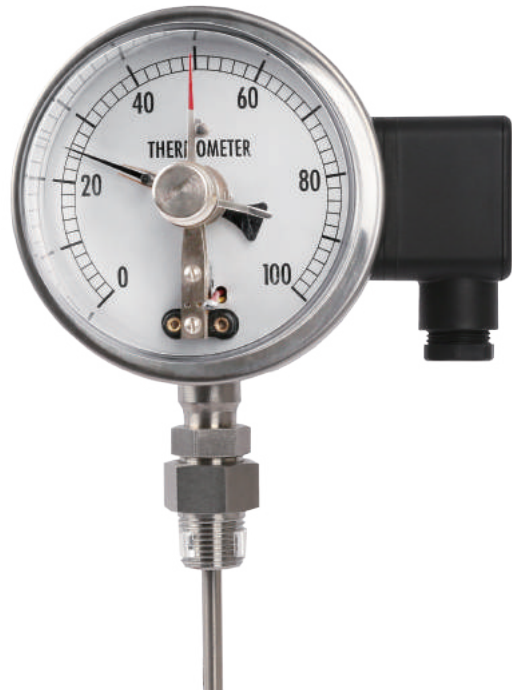
Coiled bimetal

Working range

Maximum scale value

Degree of protection

EN60529/IEC529/IP65



Standard features

Location of stem

Bottom connection, direct
Center back connection, direct

Case

304SS

Cover

304SS

Window

Acrylic

Dial

White aluminium with black graduation

Contacts

Maximum voltage : 250 V AC
Contact rating : AC 220 V, 0.25 A
DC 100 V, 0.5 A
With max. no of contact : 2 sets per gauge

Pointer

Black painted aluminium alloy

Stem

6.0, 6.4, 8.0 and 10.0 mm
304SS, 316SS and 316L SS

Stem, process connection

1/4", 3/8", 1/2", 3/4" PT, NPT and PF

Option

±1.0 % of full scale

WISE[®]

Main order

Ordering information

1. Base model

- T751** Bimetal thermometer with electric contact (High alarm)
- T752** Bimetal thermometer with electric contact (High and low alarm)
- T753** Bimetal thermometer with electric contact (Low alarm)
- T754** Bimetal thermometer with electric contact (High and hihigh alarm)

2. Nominal diameter (mm)

- 4** 100

3. Type of mounting

- W** Bottom connection, direct
- X** Center back connection, direct

4. Stem material

- 0** 304SS
- 1** 316SS
- 2** 316L SS

5. Stem, process connection

- A** None
- C** 1/4"
- D** 3/8"
- E** 1/2"
- F** 3/4"

6. Stem connection type (CF: Compression fitting)

- A** None
- E** CF + PT
- F** CF + NPT
- G** CF + PF
- H** MT + PT (Movable thread)
- I** MT + NPT (Movable thread)
- J** MT + PF (Movable thread)
- S** Clamp (Sanitary type flange)

7. Stem outer diameter (mm)

- 0** 6.0
- 1** 6.4
- 2** 8.0
- 3** 10.0 (Not available process connection, 1/4")

8. Range

- XXX** Refer to scale range table

9. Insertion length

- X** Refer to insertion length table

10. Accessories

- 0** None
- 1** Thermowell
- 2** Special accuracy (± 1.0 % of full scale)
- 3** Thermowell and special accuracy

Sample ordering code

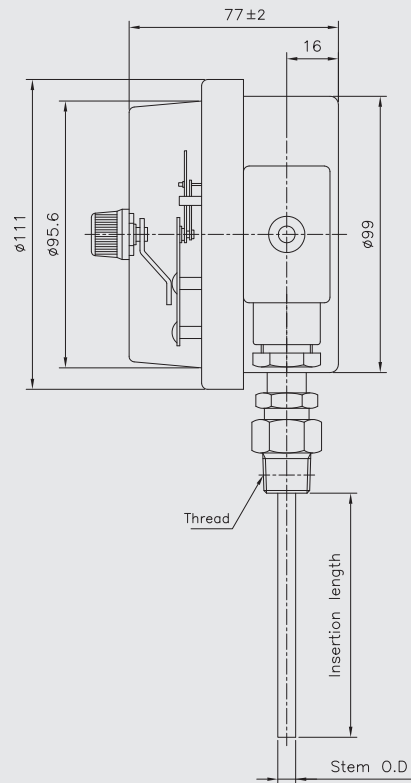
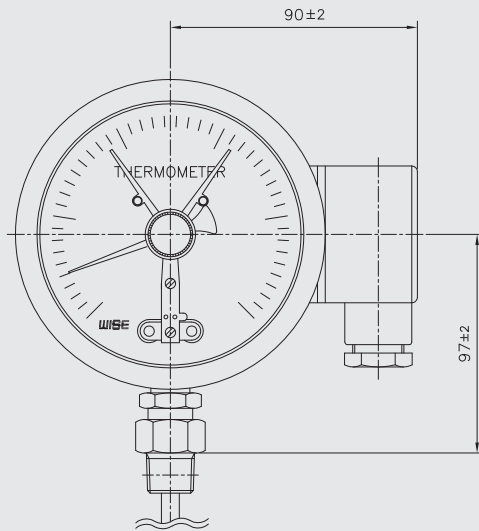
1	2	3	4	5	6	7	8	9	10
T751	4	W	0	E	C	3	XXX	X	1



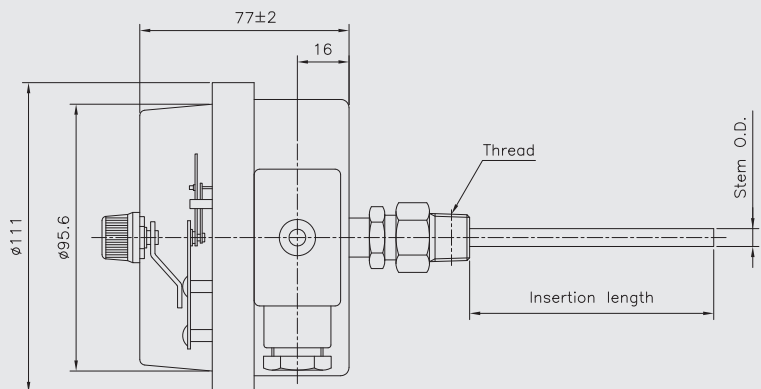
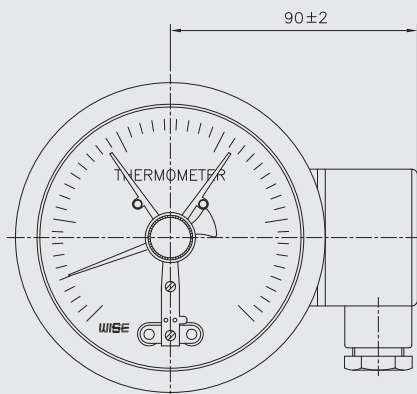
© WISE Control Inc. All rights reserved. ALL PRODUCT, PRODUCT SPECIFICATIONS AND DATA ARE SUBJECT TO CHANGE WITHOUT NOTICE TO IMPROVE RELIABILITY, FUNCTION OR DESIGN OR OTHERWISE.

T75X : Type of mounting

Code W



Code X



Snap-action contacts

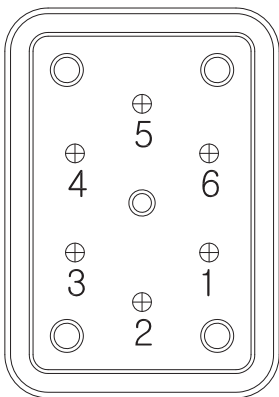
General

Electromechanical limit switches in pointer type measuring instruments are auxiliary current switches which open or close electrical circuits at set limit value by means of a contacts arm which is moved by the actual value pointer. The snap action contact is a mechanical contact for switching capacities up to 30 W 50 VA max. Contact making will be delayed or advanced in relation to the movement of the actual value pointer. To closed the circuit, the contact pin of the movable contact arm is attracted in a jump by the permanent magnet fasten to the supporting arm shortly before the set value has been reached. Due to the retention force of the magnet, snap action contacts are more resistance against shock and vibration. The switching safety is increased by the increased contact pressure. When the circuit is opened, the magnet keeps the contact arm in its place until the restoring force of the measuring element exceeds the magnetic force, and the contact opens in a jump.

Technical data

Normal operating voltage	Max. 250 V
Making and breaking current	Max. 1.0 A
Permanent current	Max. 0.6 A
Switching capacity	Max. 30 W 50 VA
Contact material	Ag80-Ni20
Switching accuracy	Approx. 2-5 % of full scale value
No. of contact	Max. 2

Terminal block arrangement



1. High alarm (S/M-1)

- ① Normal open
- ② Common
- ④ Ground

2. High and low alarm (S/M-21)

Low alarm

- ① Normal close
- ② Common
- ④ Ground

High alarm

- ② Common
- ③ Normal open

3. Low alarm (S/M-2)

- ① Normal close
- ② Common
- ④ Ground

|

4. Two high alarm (S/M-11)

No.1 High alarm

- ① Normal open
- ② Common
- ④ Ground

No.2 High alarm

- ② Common
- ③ Normal open

5. Two low alarm (S/M-22)

No.2 Low alarm

- ① Normal close
- ② Common
- ④ Ground

No.1 Low alarm

- ② Common
- ③ Normal close

6. Failsafe high and low alarm (S/M-12)

High alarm

- ② Common
- ③ Normal close
- ④ Ground

Low alarm

- ① Normal open
- ② Common

Scale ranges

Code	Scale range (°C)	Scale spacing (°C)	Minimum stem length (mm)	
			6.0 and 6.4	8.0 and 10.0
032	-50 ~ 50	2	55	50
037	-50 ~ 100	5	45	35
054	-30 ~ 50	2	70	60
059	-30 ~ 100	5	50	45
061	-30 ~ 120	2	45	35
069	-20 ~ 50	2	80	70
074	-20 ~ 100	2	45	45
079	-20 ~ 150	5	40	35
084	-10 ~ 50	1	95	80
099	0 ~ 50	1	110	70
100	0 ~ 60	1	95	80
101	0 ~ 70	2	80	60
102	0 ~ 80	1	70	90
104	0 ~ 100	2	55	50
106	0 ~ 120	2	50	45
109	0 ~ 150	2	45	35
114	0 ~ 200	5	35	35
119	0 ~ 250	5	35	30
124	0 ~ 300	5	35	25
129	0 ~ 350	5	30	25
134	0 ~ 400	5	80	65
144	0 ~ 500	10	70	60
154	0 ~ 600	10	70	60

Insertion length

Code	1	2	3	4	5	6	7	8	9	A	B	C
Length (mm)	50	60	70	80	100	120	130	150	175	200	225	250

Code	D	E	F	G	H	J	K	L	M	N	P
Length (mm)	275	300	350	375	400	450	500	550	1,000	1,500	2,000

Large empty rectangular box for notes or memos.